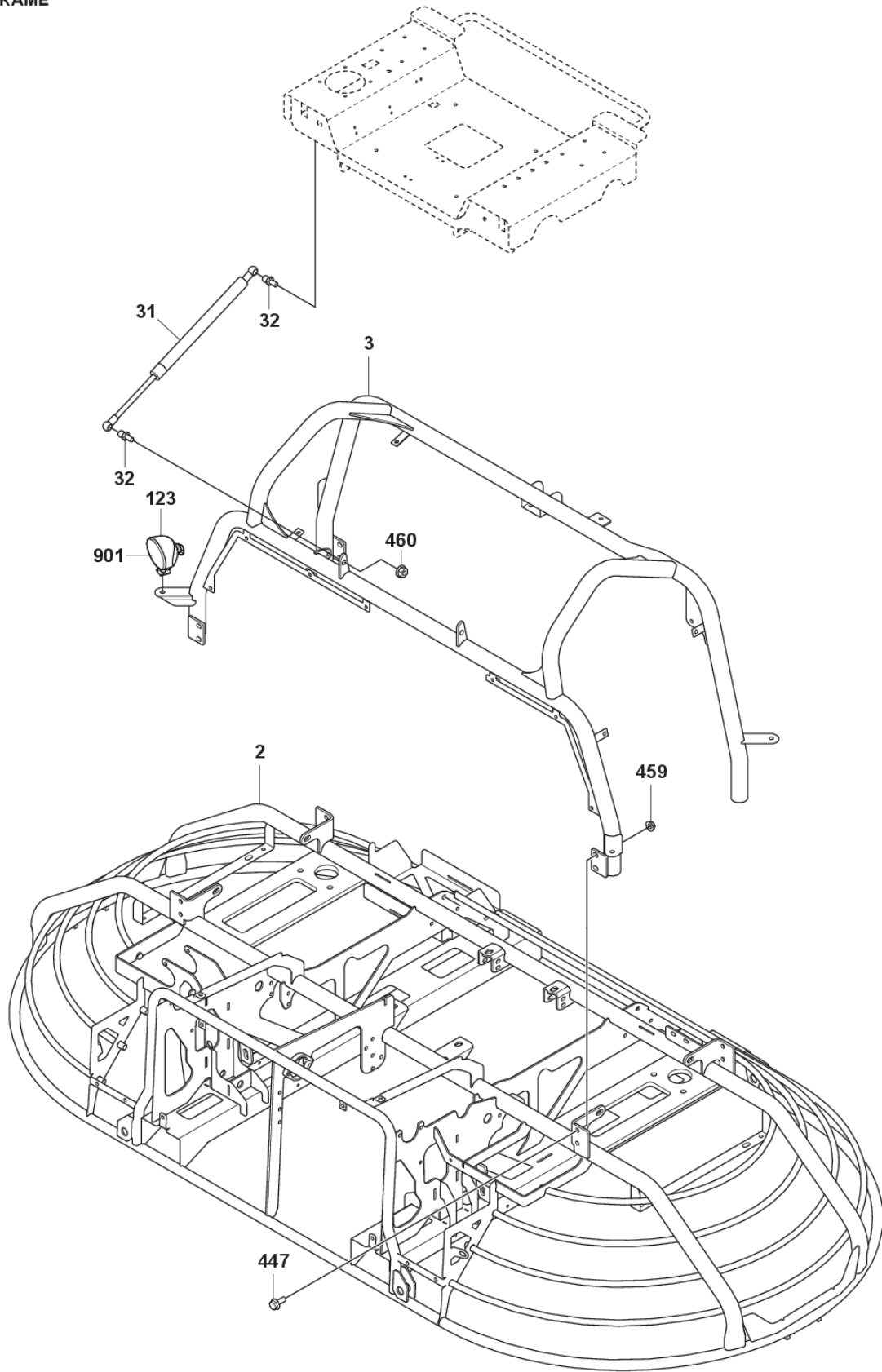


CATÁLOGO DE PIEZAS DE REPUESTO
: HUSQVARNA CRT 48

Lista de piezas de repuesto
Piezas frecuentes

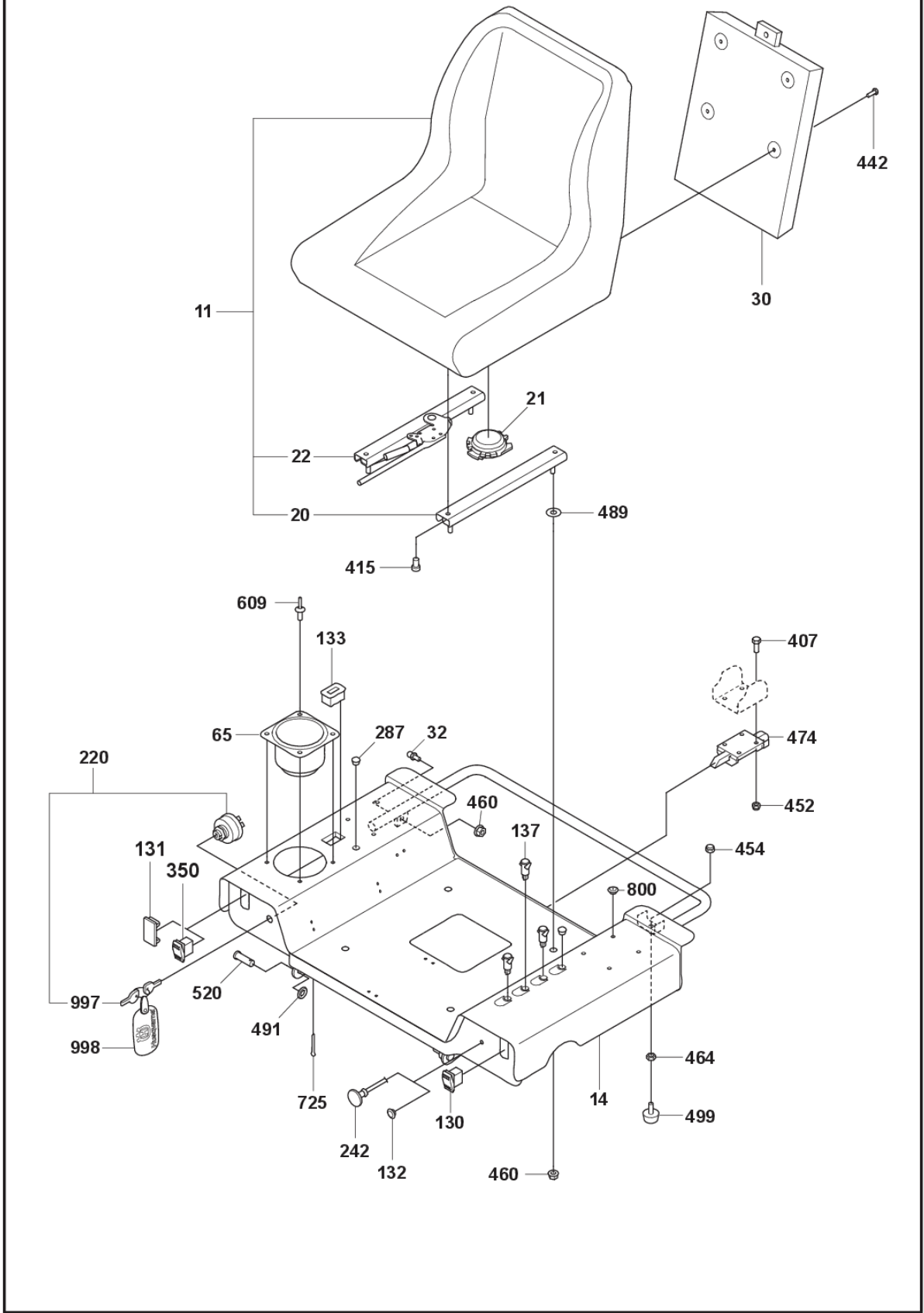
LISTA DE PIEZAS DE REPUESTO

**CRT 48
FRAME**



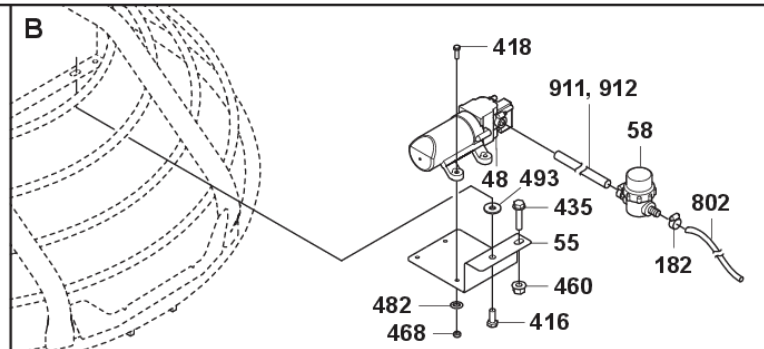
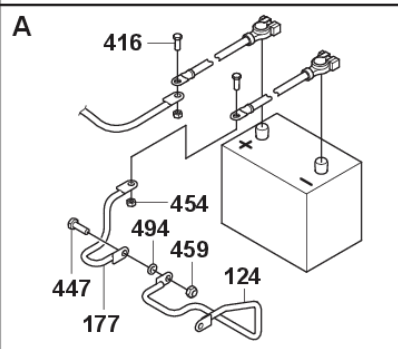
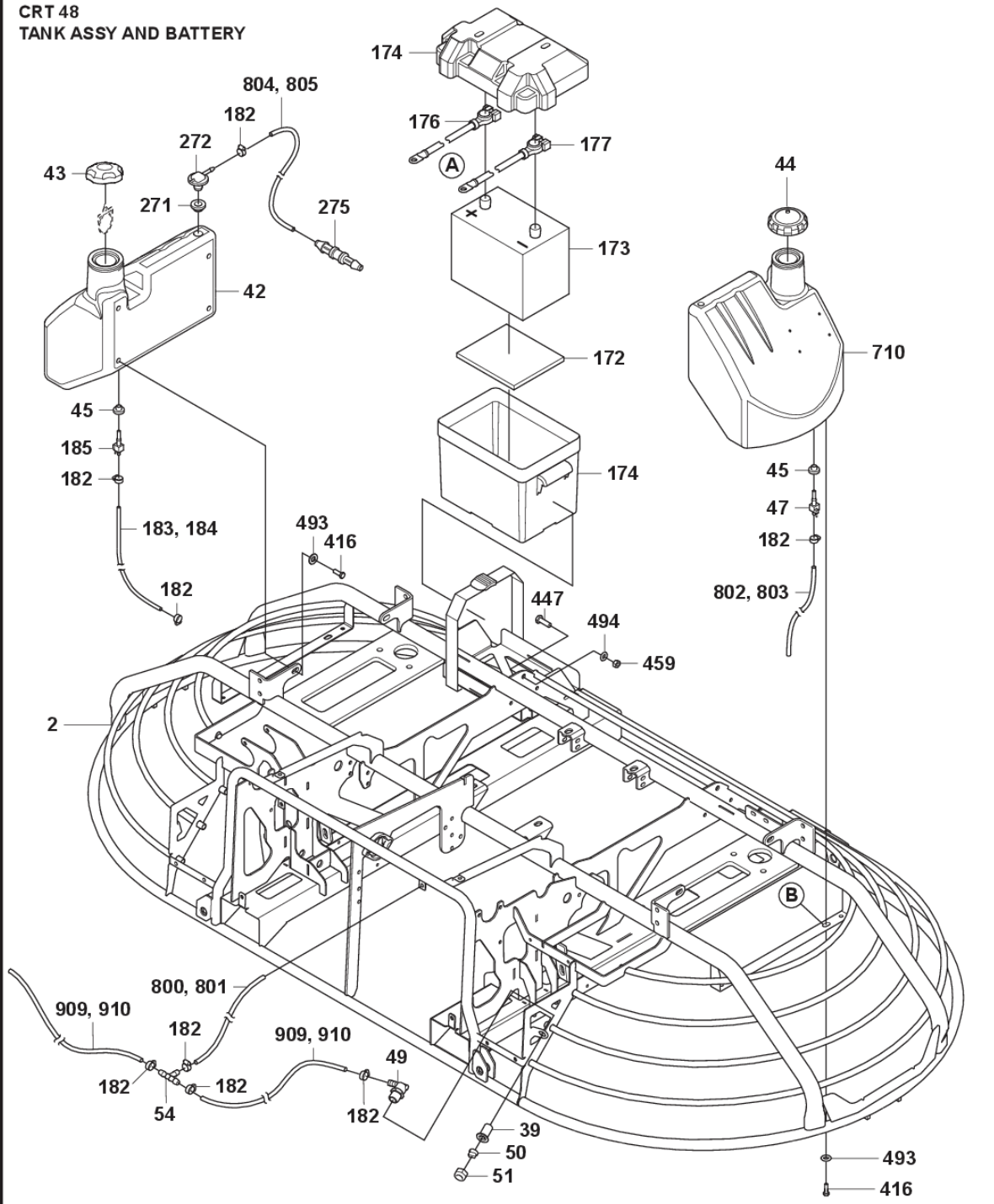
PXM_REF	PXM_PARTNO	DESCRIPCIÓN	PXM_REMARK		
2	599019201	BASTIDOR	Lower frame	1	
3	599122501	BASTIDOR	Upper frame	1	
31	599033101	CILINDRO		1	
32	599168701	PASADOR DE HORQUILLA	M8x10	2	
123	599076901	LIGHT	Light. LED	4	
447	725249571	TORNILLO EHHM	M10x30 ISO4017 8.8 ZPB. 49Nm/36ft.lbs	8	
459	732212051	TUERCA	M10 ISO7042	8	
460	599570601	TUERCA	M8 DIN 6923S 8 ZPB	2	
901	529927101	CABLE	Adapter cable	4	

**CRT 48
SEAT ASSY**



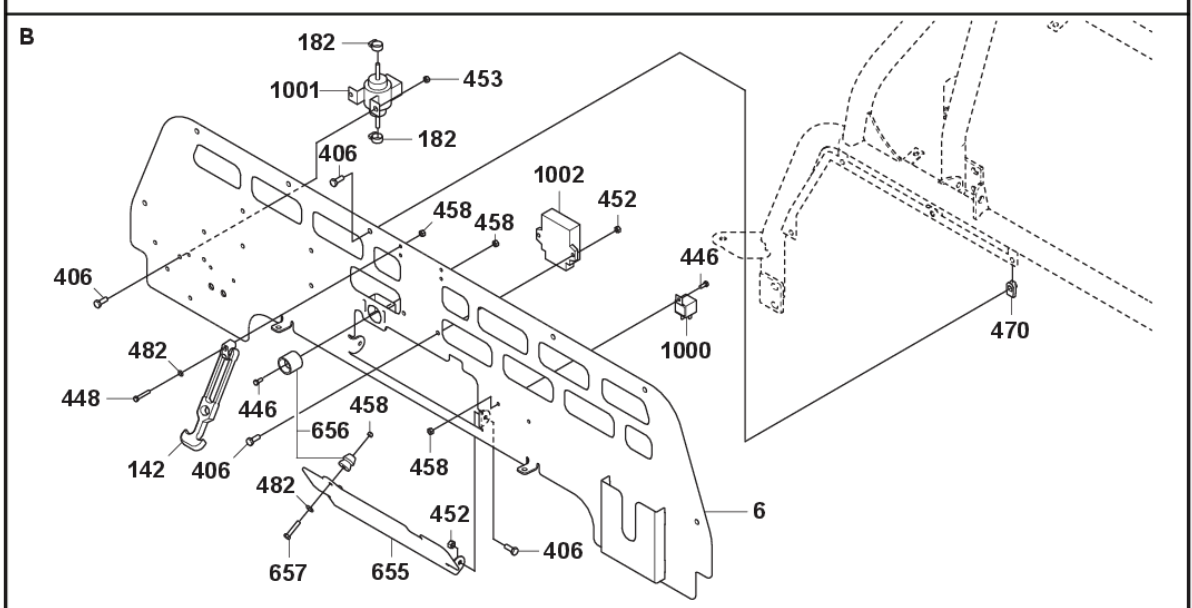
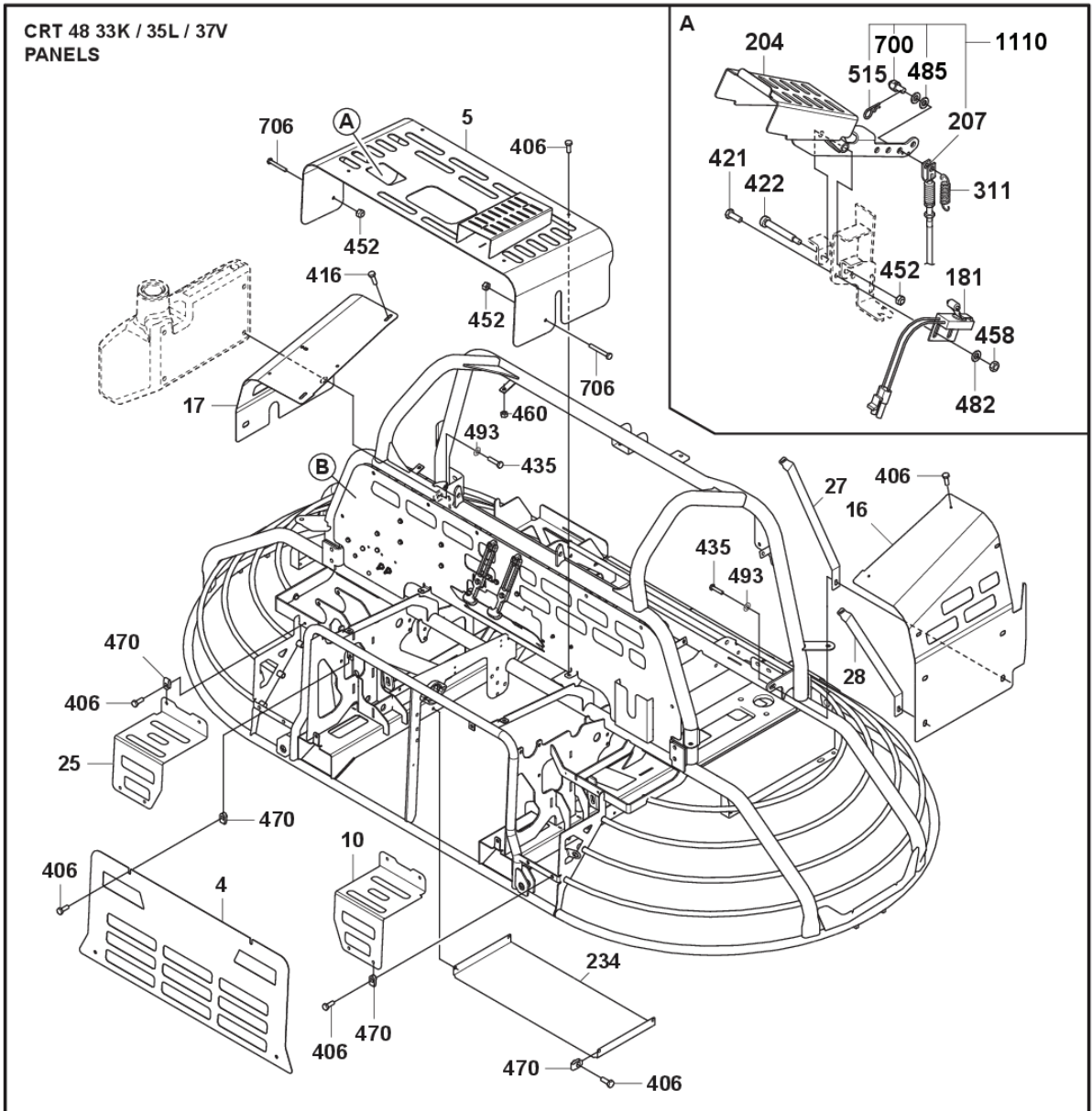
PXM_REF	PXM_PARTNO	DESCRIPCIÓN	PXM_REMARK	
14	599045201	PLACA		1
20	599040901	SOPORTE		1
21	599026901	INTERRUPTOR	Seat switch	1
22	599026401	SOPORTE		1
30	598988501	SOPORTE		1
32	599168701	PASADOR DE HORQUILLA	M8x10	1
65	598992901	INSERTO		1
130	599070801	INTERRUPTOR	Light switch	1
131	599040301	CUBIERTA	Plug, non DF only	1
132	599048001	TAPÓN	Plug - 37V, 57K	1
133	598994301	CUENTA HORAS	Hour meter	1
137	599044401	LIGHT	Indicator light,red	3
220	599002701	INTERRUPTOR	Ignition switch	1
242	599108101	CABLE	Choke cable,33K only	1
287	599003701	TAPÓN	Push-in plug 9/16"	2
350	599109601	INTERRUPTOR	Fuel select switch, DF only	1
407	725237071	TORNILLO EHHM	M6x20 ISO4017 8.8 ZPB, 10Nm/7ft.lbs	4
415	725545101	TORNILLO IHSCM		4
442	599169101	TORNILLO	#10X3/4,TYP B,SLT FLG HX	4
452	732251601	TUERCA CON BLOQUEO		4
454	732251801	TUERCA CON BLOQUEO		2
460	599570601	TUERCA		5
464	731431801	TUERCA FINA		2
474	599062001	TRINQUETE	Latch	1
489	599160701	ARANDELA		4
491	734117801	ARANDELA	M12 ISO7089 200HV ZPB	2
499	598989701	PARACHOQUES	30x15	2
520	599173301	CLAVIJA	Clevis pin 1/2"x1"	2
609	599167901	REMACHE	Rivet	4
725	599160101	CLAVIJA	Cotter pin 3,2x25 ISO1234	2
800	599054701	TAPÓN	Plug-hole, 5/16 plastic	8
997	536584701	TECLA		1
998	599479001	TECLA	Key fob, Husqvarna	1

**CRT 48
TANK ASSY AND BATTERY**



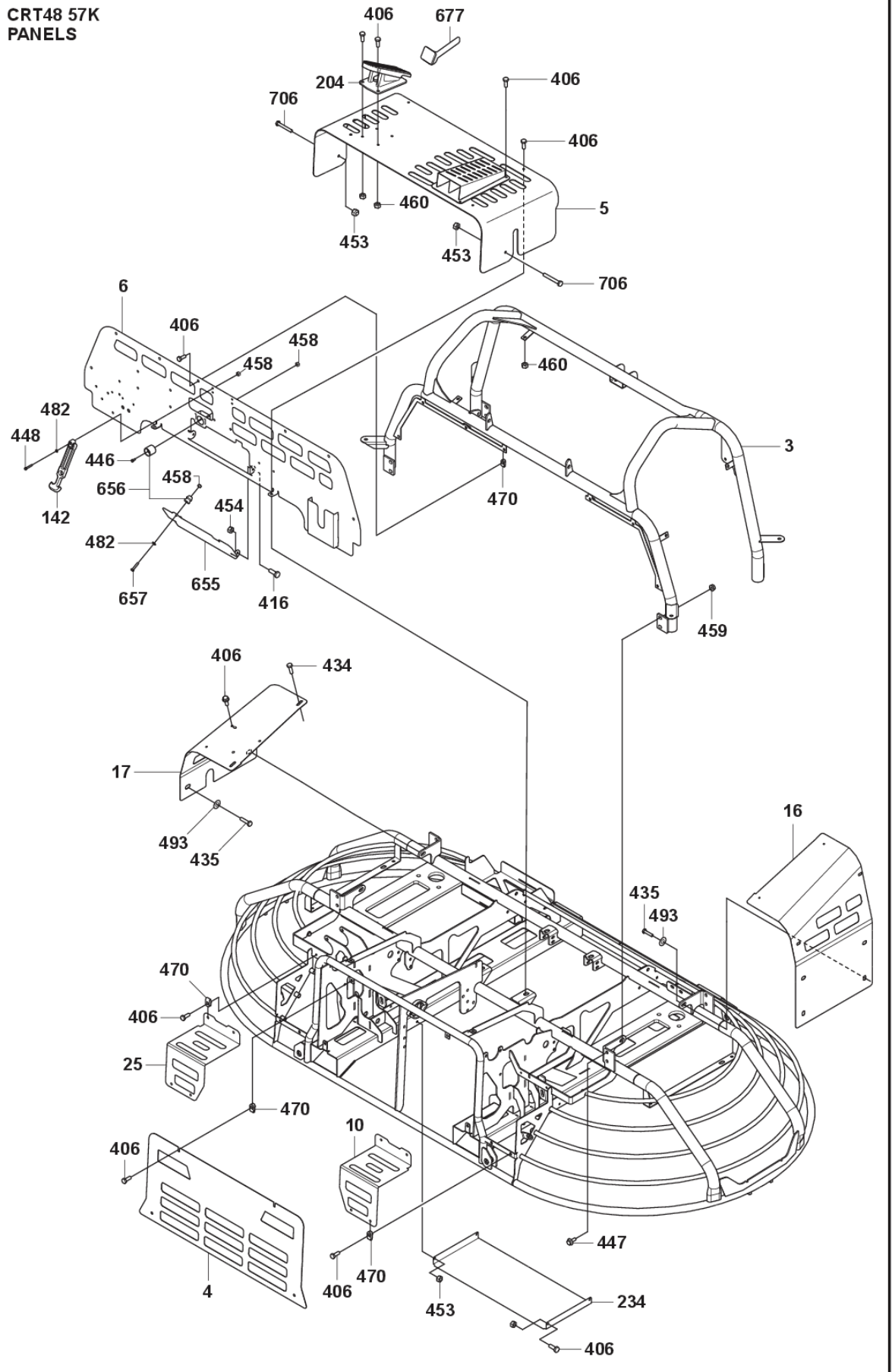
PXM_REF	PXM_PARTNO	DESCRIPCIÓN	PXM_REMARK	
2	599019201	BASTIDOR		1
39	598998801	VÁLVULA		1
42	599131302	DEPÓSITO		1
43	599070901	SOMBRERETE	33K and 37V	1
43	599073301	SOMBRERETE	57K	1
44	599030201	SOMBRERETE		1
45	598990401	BUJE		2
47	599061701	VÁLVULA		1
48	599463101	WATER PUMP KIT		1
49	598993901	JUNTA		2
50	598994001	BOQUILLA		2
51	598994101	RACOR		2
54	599169001	RACOR		1
55	599061501	SOPORTE		1
58	599061801	PANTALLA		1
124	541201014	CABLE		1
172	598988001	PASTILLA		1
173	581271801	BATERÍA		1
174	598999901	CAJA		1
176	599036101	CABLE	40"	1
177	599036201	CABLE	16"	1
182	542020049	MORDAZA	0.21"-0.63"	12
183	599463703	MANGUERA DE COMBUSTIBLE	55"	1
184	599465605	CONDUCTO	53"	1
185	599000501	VÁLVULA	33K and 37V	1
185	599117801	VÁLVULA	57K only	1
271	599068801	OJAL PARA CABLE		1
272	599068701	VENT	33K and 37V	1
272	599071201	RACOR	57K	1
275	599104401	RACOR	33K and 37V only	1
416	725245101	TORNILLO		3
418	725229571	TORNILLO EHHM	M4x20. 3Nm/2ft.lbs	4
435	506570103	TORNILLO EHHFM	M8x16 DIN 6921 8.8 ZPB	1
447	725249571	TORNILLO EHHM		1
459	599582901	TUERCA	M10 DIN 6923S 8 ZPB	1
460	576645704	NUT FLANGE	M8 ISO 7043 8 FZB	1
468	542167485	LOCK NUT	M4 Locknut. fiber	4
482	734114601	ARANDELA	M5 ISO7089 200HV ZPB	4
493	734116541	ARANDELA	M8 ISO7093 ZPB	3
494	599167501	ARANDELA DE SEGURIDAD	M10	1
710	599131202	DEPÓSITO		1
800	599465504	MANGUERA	70"	1
801	599465606	CONDUCTO	68"	1
802	599465501	MANGUERA	3.5"	1
803	599465603	CONDUCTO	30"	1
804	599463702	MANGUERA DE COMBUSTIBLE	45"	1
805	599465604	CONDUCTO	43"	1
909	599465503	MANGUERA	24.5"	2
910	599465602	CONDUCTO	23.5"	2
911	599465502	MANGUERA	5"	1
912	599465601	CONDUCTO	3"	1

CRT 48 33K / 35L / 37V
PANELS



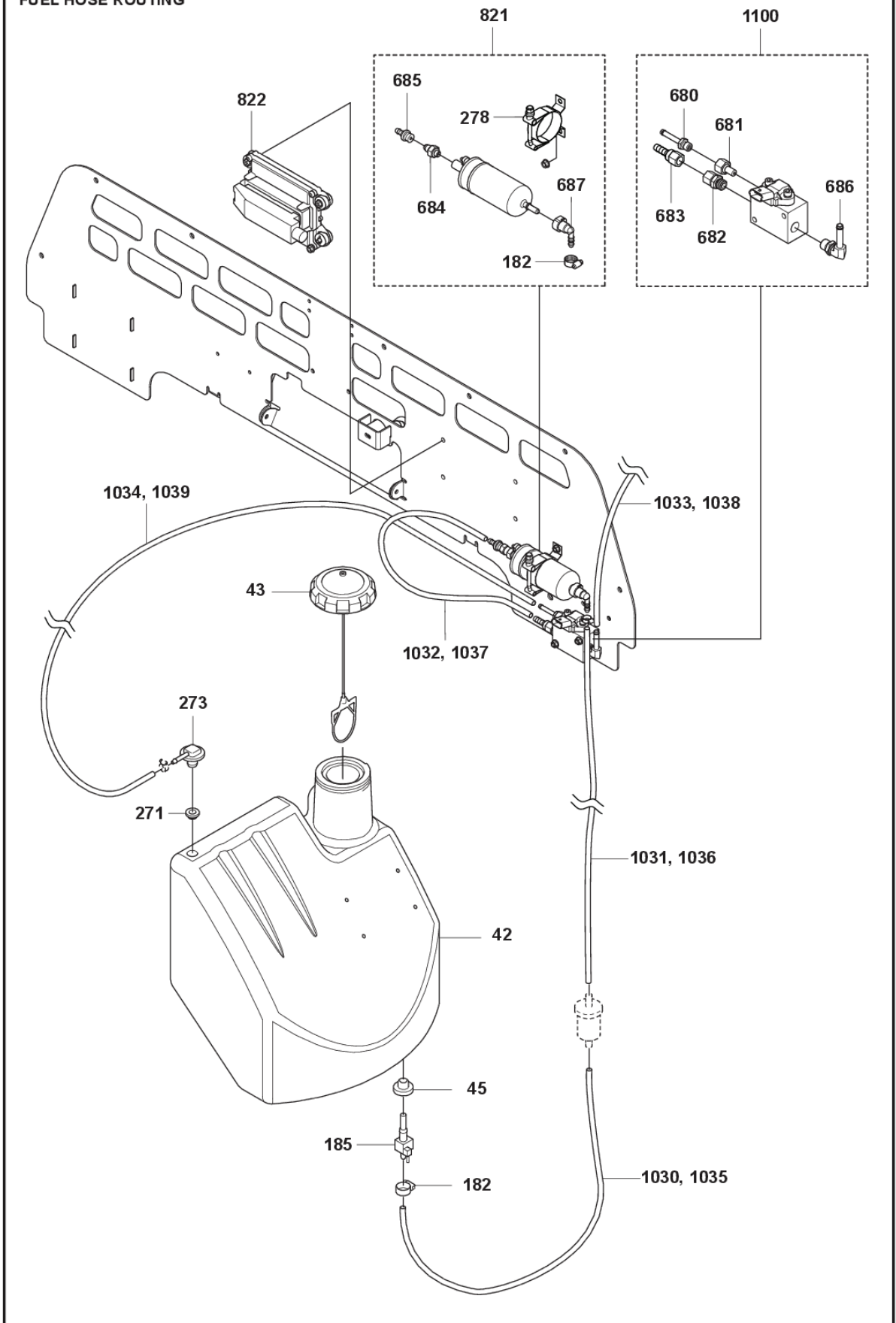
PXM_REF	PXM_PARTNO	DESCRIPCIÓN	PXM_REMARK	
4	599130102	PLACA		1
5	599021601	PLACA		1
6	599130702	PANEL ASSY		1
10	599021801	PLACA		1
16	599122201	PANEL	33K and 37V	1
16	599122301	PANEL	57K only	1
17	599122101	PANEL		1
25	599033301	PLACA		1
27	599125701	VIGA	33K and 37V only	1
28	599074201	VIGA	33K and 37V only	1
142	599048301	TRINQUETE		2
181	598994601	INTERRUPTOR		1
182	542020049	MORDAZA	0.21"-0.63"	2
204	599035601	PALANCA		1
207	599076201	CABLE	Throttle cable 33K	1
207	599076101	CABLE	Throttle cable 37V	1
234	599032301	GUARDA		1
311	599171901	MUELLE	33K only	1
311	599110601	MUELLE	37V only	1
406	599458501	TORNILLO	M6x16 DIN 6921S 8.8 ZPB	35
416	725245171	TORNILLO EHHM	M8x20 ISO 4017 8.8 ZPB	4
421	725232971	TORNILLO EHHM	M5x16 ISO 4017 8.8 ZPB	2
435	506570103	TORNILLO EHHFM	M8x16 DIN 6921 8.8 ZPB	2
446	725232771	TORNILLO EHHM	M5x12 ISO 4017 8.8 ZPB	2
448	725233551	TORNILLO EHHM	M5x30 ISO4014 8.8 ZPB	4
452	732251601	TUERCA CON BLOQUEO	M6 ISO 7040 8 ZPB	1
453	593356401	TUERCA	M6 8 ZPB lock, serated	20
458	732251401	TUERCA CON BLOQUEO	M5 ISO 7040 8 ZPB	11
460	599570601	TUERCA	M8 DIN 6923S 8 ZPB	2
470	599166801	LOCK NUT	Lugs 060023	13
482	734114601	ARANDELA	M5 ISO7089 200HV ZPB	6
485	734115201	ARANDELA	M6 ISO 7089 200HV ZPB	2
493	734116541	ARANDELA	M8 ISO 7093 ZPB	4
515	599163501	CLAVIJA	Cotter pin 0.073"x1-3/16" Zn	1
655	599131102	CUBIERTA		1
656	599070601	TRINQUETE		1
657	725233371	TORNILLO EHHM	M5x25 ISO 4017 8.8 ZPB	1
700	599076001	MUÑÓN DE COJINETE		1
706	505821801	HEX BOLT 6MM X 50 MM	M6x50	2
1000	599463401	RELÉ	50A, 12V	2
1001	529584701	BOMBA DE COMBUSTIBLE	Fuel pump, 33K only	1
1002	529585301	DISPOSITIVO DE CONTROL	33K only	1
1110	536455101	CABLE DE ACERO	Throttle cable cpl. 33K	1
1110	599506601	CABLE DE ACERO	Throttle cable cpl. 37V	1

**CRT48 57K
PANELS**



PXM_REF	PXM_PARTNO	DESCRIPCIÓN	PXM_REMARK	
3	599122501	BASTIDOR		1
4	599130102	PLACA		1
5	599075101	PLACA		1
6	599130702	PANEL ASSY		1
10	599021801	PLACA		1
16	599122301	PANEL		1
17	599122101	PANEL		1
25	599033301	PLACA		1
142	599048301	TRINQUETE		1
204	599123701	MANDO		1
234	599032301	GUARDA		1
406	599458501	TORNILLO	M6x16 DIN 6921S 8.8 ZPB	27
407	599608501	TORNILLO	M6x30 ISO 4162 8.8 ZPB	8
416	725245101	TORNILLO	8x20 hx.hd. 24Nm/18ft.lbs	2
435	506570103	TORNILLO EHHFM	M8x16 ISO1665 8.8 ZPB. 25Nm/18ft.lbs	10
446	725232771	TORNILLO EHHM	M5x12 ISO 4017 8.8 ZPB	1
447	599608601	TORNILLO	M10x25 DIN 6921S 8.8	8
448	725233551	TORNILLO EHHM		1
453	593356401	TUERCA	M6	6
458	732251401	TUERCA CON BLOQUEO	M5 ISO 7040 8 ZPB	6
459	599582901	TUERCA	M10 DIN 6923S 8 ZPB	8
470	599166801	LOCK NUT	Lugs 060023	15
482	734114601	ARANDELA	M5 ISO7089 200HV ZPB	5
655	599131102	CUBIERTA		1
656	599070601	TRINQUETE		1
657	725233371	TORNILLO EHHM	M5x25 ISO 4017 8.8 ZPB	1
677	599124701	GUARDA		1
706	505821801	HEX BOLT 6MM X 50 MM	M6x50	2

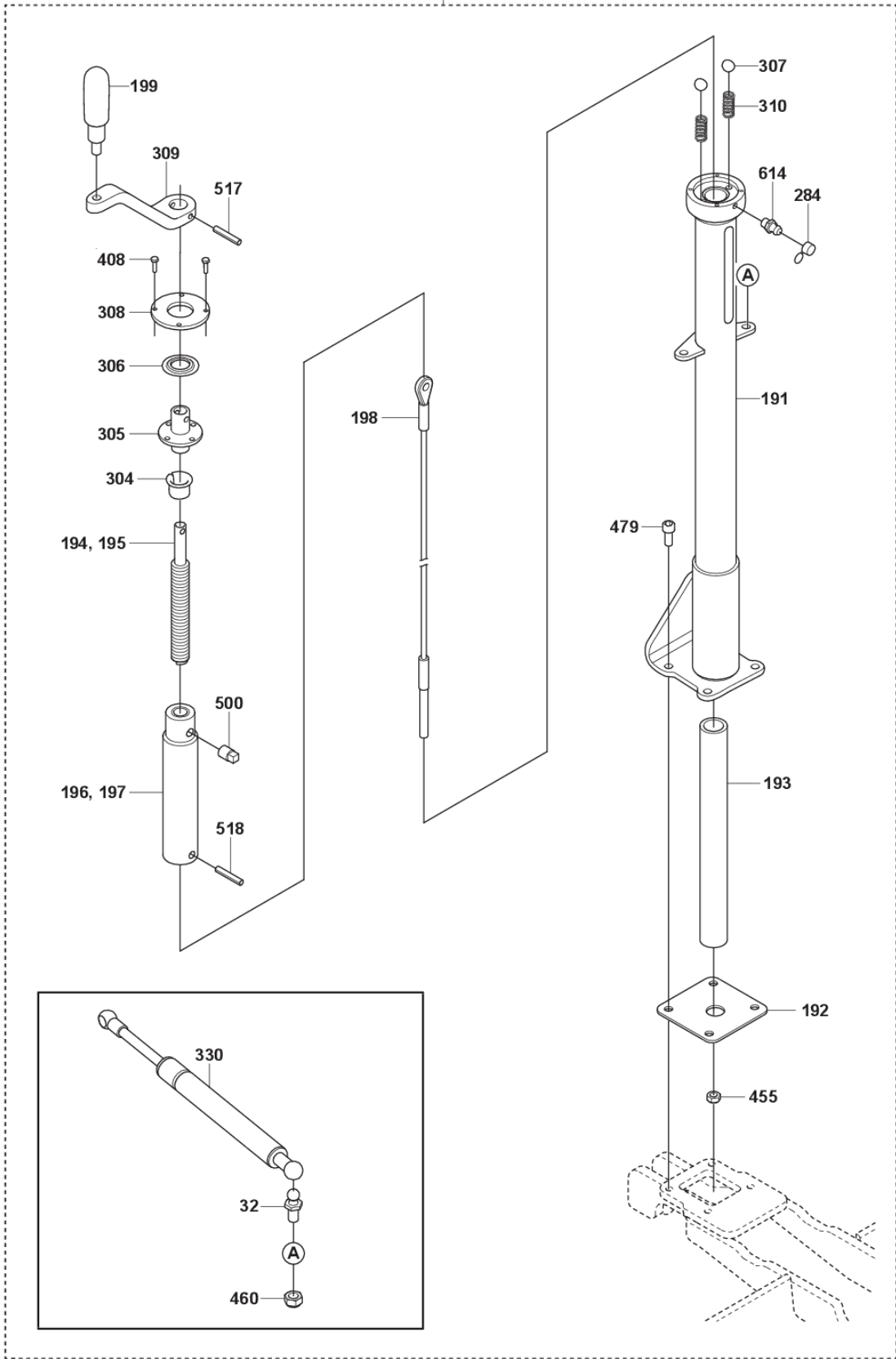
**CRT 48 57K
FUEL HOSE ROUTING**



PXM_REF	PXM_PARTNO	DESCRIPCIÓN	PXM_REMARK	
42	599131302	DEPÓSITO		1
43	599073301	SOMBRERETE		1
45	598990401	BUJE		1
182	542020049	MORDAZA	0.21"-0.63"	6
185	599117801	VÁLVULA		1
271	599068801	OJAL PARA CABLE		1
273	599071201	RACOR		1
278	599072701	SOPORTE		1
680	599072601	RACOR	SAE#4 MORB MALE to 1/4" BARB	1
681	599072801	ADAPTADOR	SAE#4 FEMALE to SAE#3 MORB MALE	1
682	599072901	ADAPTADOR	SAE#6 MORB MALE to SAE#5 MALE	1
683	599073001	RACOR	SAE#5 FEMALE to 5/16" BARB	1
684	599073101	ADAPTADOR	M10 MALE to SAE#4 MALE	1
685	599073201	RACOR	#4 FEMALE to 1/4" BARB	1
686	599073401	RACOR	SAE#6 MALE to 90DEG.5/16" BARB	1
687	599073501	RACOR	90QC 5/16"-5/16"	1
821	529584901	BOMBA DE COMBUSTIBLE		1
822	599480101	MÓDULO		1
1030	599481001	MANGUERA DE COMBUSTIBLE	5/16"x12"	1
1031	599481002	MANGUERA DE COMBUSTIBLE	5/16"x16"	1
1032	599481003	MANGUERA DE COMBUSTIBLE	5/16"x21"	1
1033	599481004	MANGUERA DE COMBUSTIBLE	5/16"x48"	1
1034	599481202	MANGUERA DE COMBUSTIBLE	1/4"x60"	1
1035	599481701	CABLE	10"	1
1036	599481702	CABLE	14"	1
1037	599481703	CABLE	19"	1
1038	599481704	CABLE	46"	1
1039	599481705	CABLE	58"	1
1100	599480801	ESPACIADOR		1

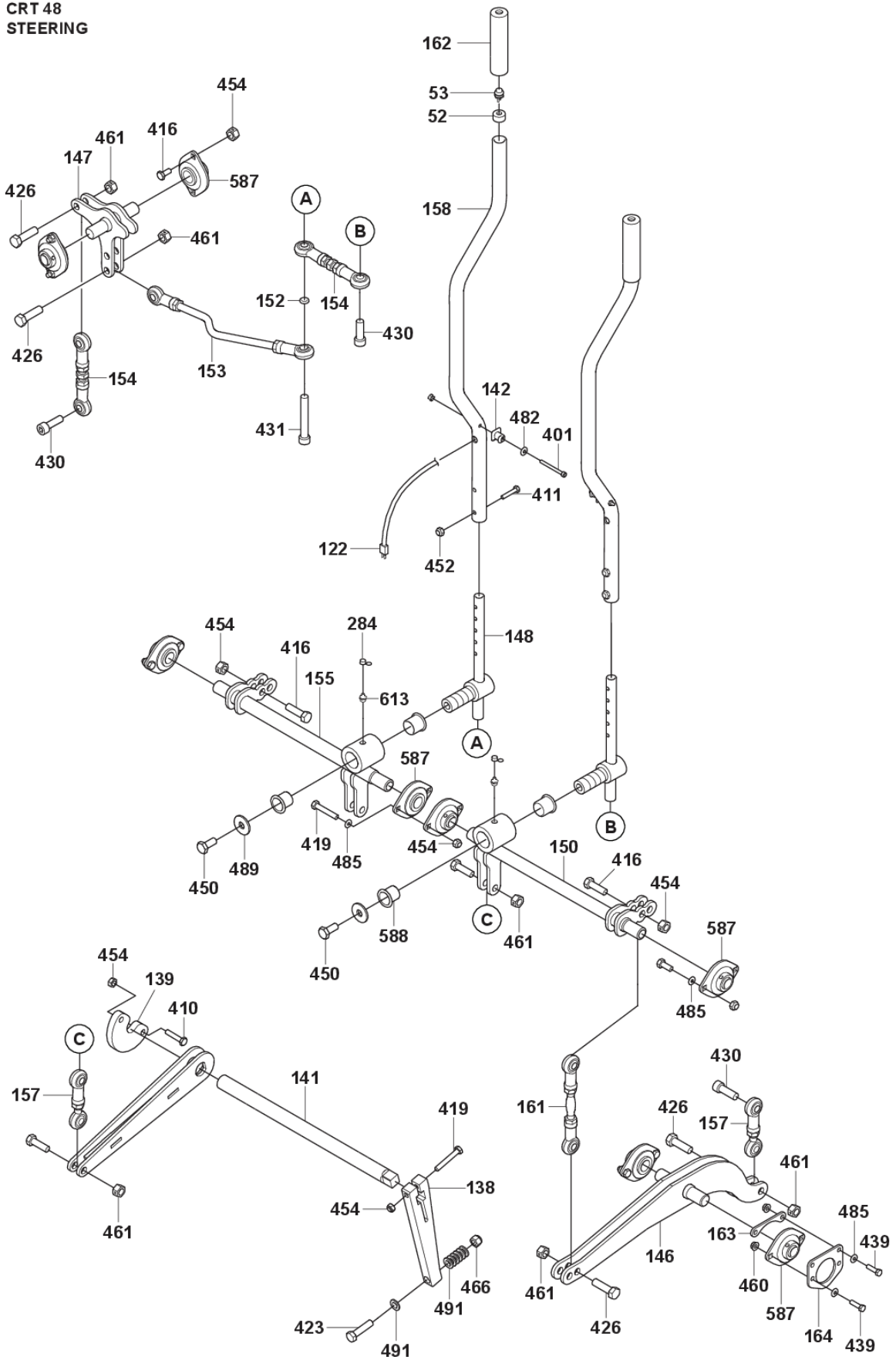
**CRT 48
PITCH CONTROL**

1,2



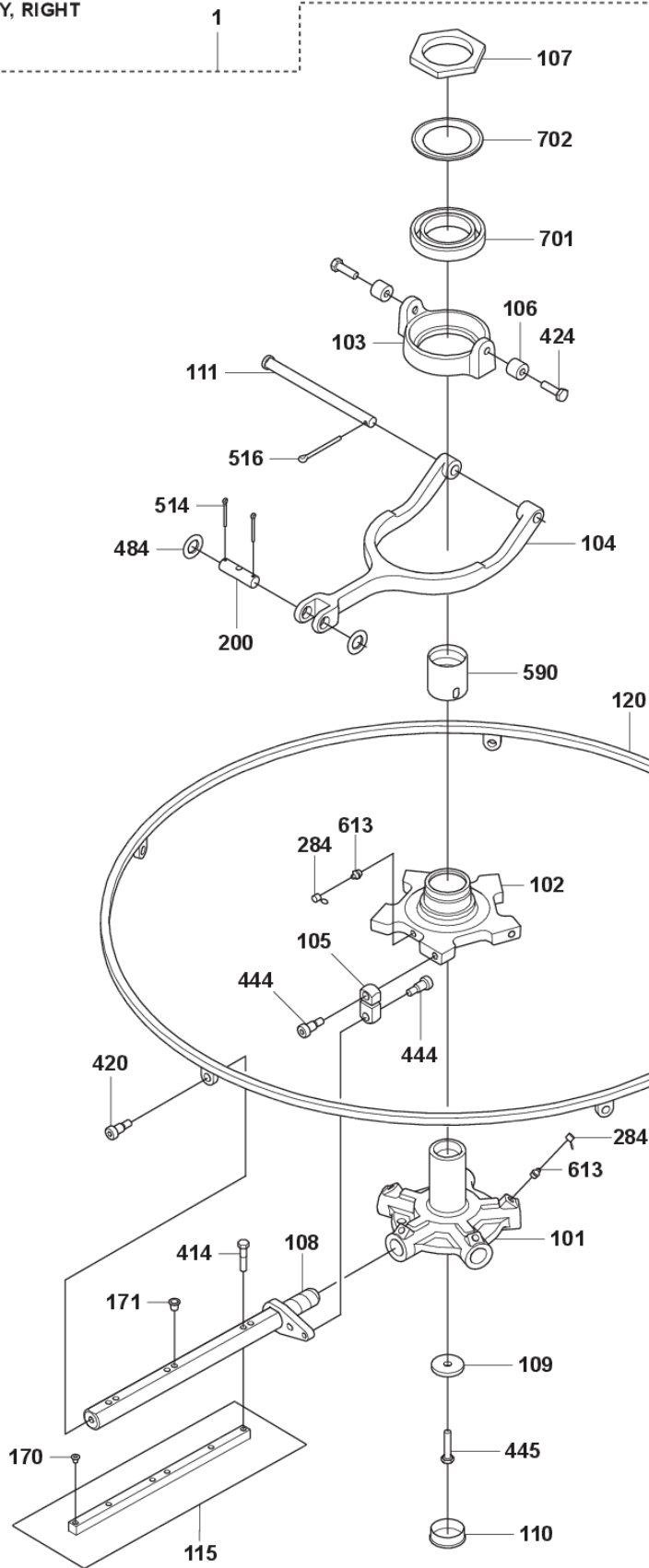
PXM_REF	PXM_PARTNO	DESCRIPCIÓN	PXM_REMARK	
1	536673501	PLATO		1
2	536673502	PLATO		1
32	599168701	PASADOR DE HORQUILLA		2
191	599004201	TUBO		1
192	599062401	PLACA		1
193	599062501	TUBO		1
194	599169401	BARRA	Right hand thread	1
195	599169501	BARRA	Left hand thread	1
196	599004601	TUBO	Right hand thread	1
197	599004701	TUBO	Left hand thread	1
198	599004801	CABLE	Pitch cable	1
199	599005101	EMPUÑADURA	Handle, 24Nm/18ft.lbs	1
284	599169201	SOMBRETERE	Cap	1
304	599004301	BUJE		1
305	599004401	CUBO		1
306	599169301	ANILLO	Nilos ring	1
307	599169601	BOLA		2
308	599004901	PLACA		1
309	599047401	CRANK		1
310	599004101	MUELLE		2
408	599168201	TORNILLO	M4x14 ISO4017 8.8 ZPB, 3Nm/2ft.lbs	4
455	596040301	LOCK NUT	5/16"-24"	1
479	725545101	TORNILLO IHSCM	M8x20 ISO4762 8.8 ZPB, 22Nm/16ft.lbs	4
500	599173101	TUBO	Pipe plug 1/8" sq.hd. plated	1
517	599163301	CLAVIJA	1/4"x1-1/2"	1
518	599160001	CLAVIJA	Roll pin 8x36 ISO8752	1
614	599176601	RACOR	AM6 DIN71412	1

**CRT 48
STEERING**



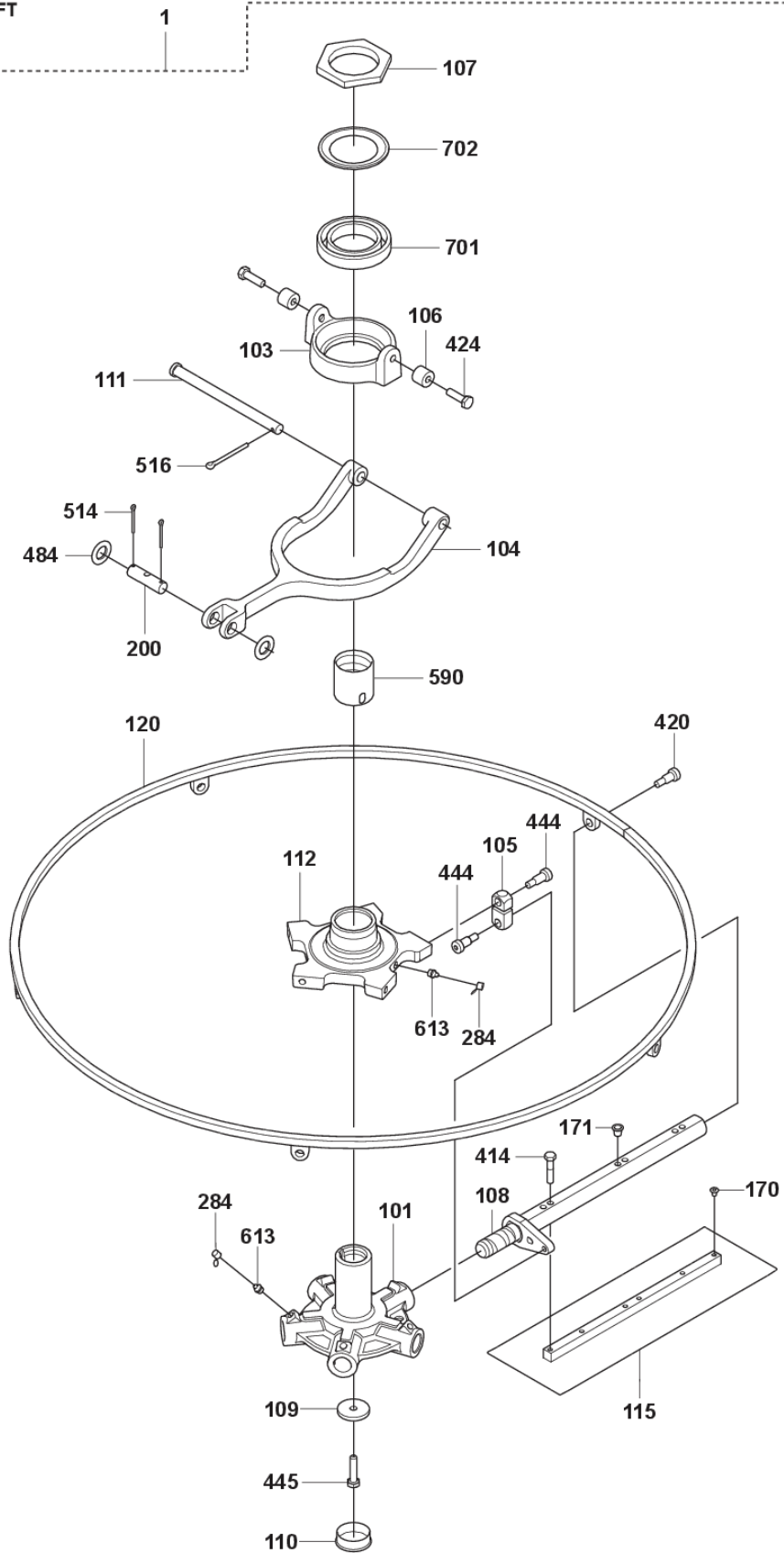
PXM_REF	PXM_PARTNO	DESCRIPCIÓN	PXM_REMARK	
52	599001301	SOMBRERETE		1
53	599001201	INTERRUPTOR		1
122	598999701	CABLEADO		1
138	599046201	PALANCA		2
139	599047001	SOPORTE		2
141	599046501	EJE		2
142	599048301	TRINQUETE		2
146	599022201	SOPORTE		2
147	599002001	SOPORTE		1
148	599001701	MUÑÓN DE COJINETE		2
150	599022401	ARTICULACIÓN		1
152	599047101	ARANDELA SEPARADORA		1
153	599016201	ARTICULACIÓN		1
154	599016001	ARTICULACIÓN		2
155	599022701	ARTICULACIÓN		1
157	599038401	ARTICULACIÓN		4
158	599033501	EMPUÑADURA		2
161	599016101	ARTICULACIÓN		2
162	598999601	EMPUÑADURA	Handle grip	2
163	599054801	ARANDELA SEPARADORA		4
164	599053801	PLACA		4
284	599169201	SOMBRERETE	Cap	2
401	599173701	TORNILLO	M5x50	2
410	599169801	TORNILLO	M8x40, 24Nm/18ft.lbs	2
411	725237651	TORNILLO EHHM	M6x35 ISO4014 8.8 ZPB, 10Nm/7ft.lbs	4
416	725245101	TORNILLO	8x20 hx.hd. 24Nm/18ft.lbs	8
419	725246251	TORNILLO EHHM	M8x55 ISO4014 8.8 ZPB, 24Nm/18ft.lbs	4
423	599177101	TORNILLO	M12x90 10.9, 85Nm/63ft. lbs	2
426	599172501	TORNILLO	1/2"-20x1-3/4" HX. HD., 85Nm/63ft.lbs	12
430	587428801	PERNO	1/2"-20x1-1/2" SOC. HD., 85Nm/63ft.lbs	4
431	599173001	TORNILLO	1/2"-20x2-1/2" SOC. HD., 85Nm/63ft.lbs	1
439	725245376	TORNILLO EHHM	M8x25 ISO4017 10.9 ZPB, 35Nm/26ft.lbs	16
450	585235901	TORNILLO EHHFM	M12x25 DIN 933 S3, 86Nm/63ft.lbs	2
452	531208491	TUERCA	M6 ISO10511	4
454	522919401	LOCK NUT	M8 ISO10511	14
458	732251401	TUERCA CON BLOQUEO		2
460	576645704	NUT FLANGE	M8	16
461	587653903	TUERCA	1/2"-20	12
466	502045501	TUERCA	M12 ISO10511	2
482	734114601	ARANDELA	M5 ISO7089 200HV ZPB	2
485	734116301	ARANDELA	M8 ISO7089 200HV ZPB	26
489	734118041	ARANDELA	M12 ISO7093 ZPB	2
491	734117801	ARANDELA	M12 ISO7089 200HV ZPB	14
587	598996901	RODAMIENTO	0.875", 10Nm/7ft.lbs	10
588	598993101	RODAMIENTO	1" ID	4
613	599162101	RACOR	Grease fitting AM10 DIN71412	2

**CRT 48
BLADE ASSY, RIGHT**



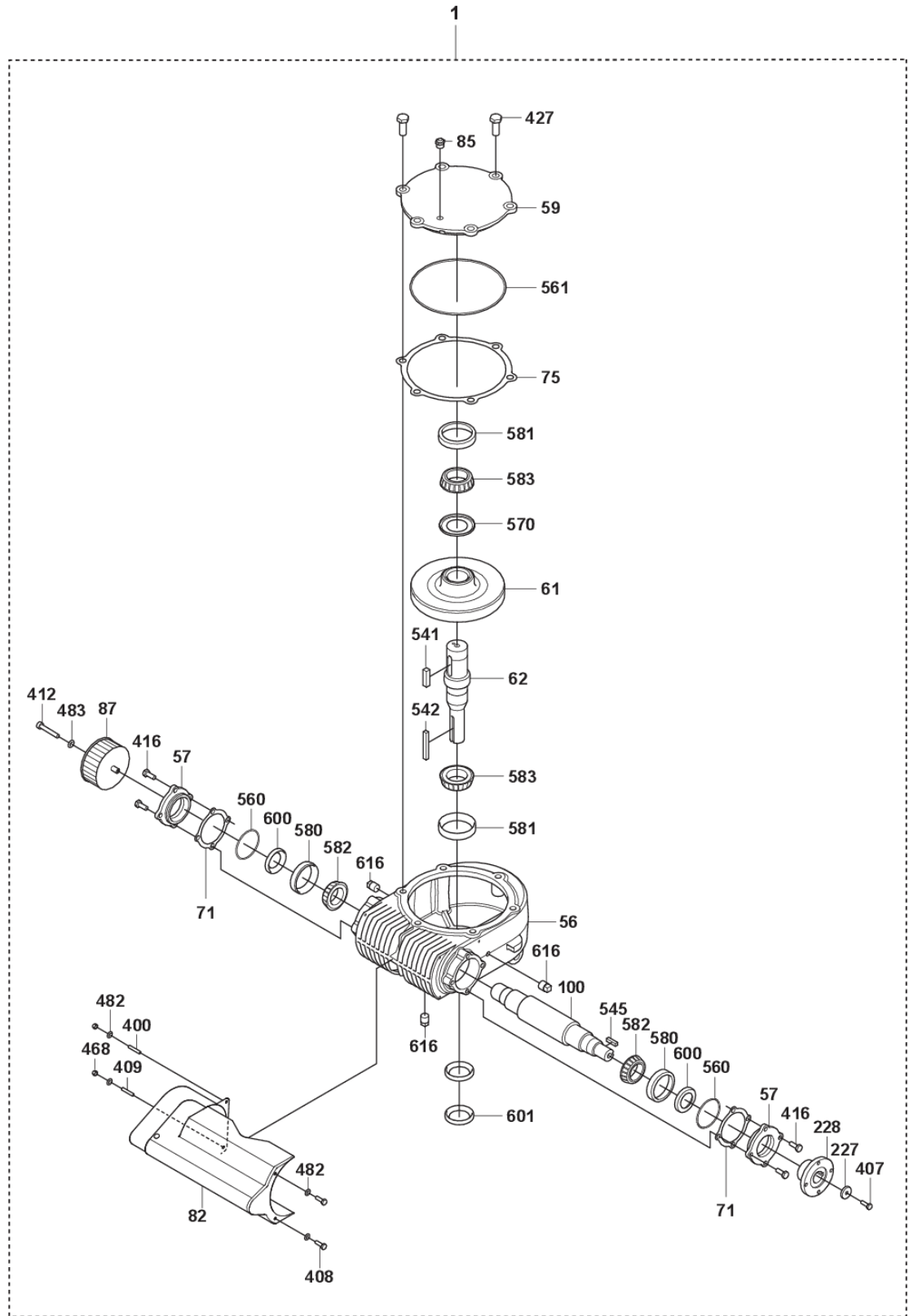
PXM_REF	PXM_PARTNO	DESCRIPCIÓN	PXM_REMARK	
1	535789402	UNIDAD		1
101	599074901	CUBO		1
102	599001001	ANILLO	Blade lifting ring, right	1
103	598999401	SOPORTE		1
104	598999001	ANILLO MAGNÉTICO		1
105	598993301	ARTICULACIÓN		5
106	598993401	TUBO		2
107	598998701	SOMBRERETE	24Nm/18ft.lbs (S1)	1
108	599107701	EJE		5
109	599166001	ARANDELA		1
110	598995801	TAPÓN		1
111	599167801	EJE		1
115	598929801	BLADE SET	Finishing blades 48", set of 4 pcs.	2
120	599013201	ANILLO		1
170	599163401	TAPÓN		5
171	599063601	TAPÓN		15
200	598993501	MONTAJE		1
284	599169201	SOMBRERETE	Cap	7
414	599167101	TORNILLO	5/16" - 18 X 1-5/8" HHCS GR5, 24Nm/18ft.lbs	15
420	599163001	TORNILLO	1/2" x 1/2" shoulder, 24Nm/18ft.lb	5
424	725249751	TORNILLO	M10x35 ISO4017 8.8 ZPB, 49, Nm/36ft.lbs	2
444	599165001	TORNILLO	1/2" x 3/4" x 1-3/8" shoulder, 24Nm/18ft.lb	10
445	725250051	TORNILLO EHHM	M10 x 45, 49Nm/36ft.lbs (DIN931 S3)	1
484	542173035	ARANDELA	M20 ISO7089 200HV ZPB	2
514	599164901	CLAVIJA	Cotter pin 1/8" x 1-1/2"	2
516	599165101	CLAVIJA	Cotter pin 3/16" x 2"	1
590	598999101	BUJE		1
613	599162101	RACOR	Grease fitting AM10 DIN71412	7
701	598431901	RODAMIENTO DE BOLAS	6014 2RS1 C3	1
702	599167201	ANILLO	Nilos ring 6014 ZAV	1

**CRT 48
BLADE ASSY, LEFT**



PXM_REF	PXM_PARTNO	DESCRIPCIÓN	PXM_REMARK	
1	535789401	UNIDAD		1
101	599074901	CUBO		1
103	598999401	SOPORTE		1
104	598999001	ANILLO MAGNÉTICO		1
105	598993301	ARTICULACIÓN		5
106	598993401	TUBO		2
107	598998701	SOMBRERETE	24Nm/18ft.lbs (S1)	1
108	599107701	EJE		5
109	599166001	ARANDELA		1
110	598995801	TAPÓN		1
111	599167801	EJE		1
112	599001101	ANILLO	Blade lifting ring, left	1
115	598929802	BLADE SET		2
120	599013201	ANILLO		1
170	599163401	TAPÓN		5
171	599063601	TAPÓN		1
200	598993501	MONTAJE		1
284	599169201	SOMBRERETE	Cap	7
414	574892005	PERNO		15
420	599163001	TORNILLO	1/2"x1/2" shoulder, 24Nm/18ft.lb	5
424	725249751	TORNILLO	M10x35 ISO4017 8.8 ZPB, 49. Nm/36ft.lbs	2
444	599165001	TORNILLO	1/2"x3/4"x1-3/8" shoulder, 24Nm/18ft.lb	10
445	725250051	TORNILLO EHHM	M10x45. 49Nm/36ft.lbs (DIN931 S3)	1
484	542173035	ARANDELA	M20 ISO7089 200HV ZPB	2
514	542020616	CLAVIJA		2
516	541204924	CLAVIJA		1
590	598999101	BUJE		1
613	599162101	RACOR	Grease fitting AM10 DIN71412	7
701	598431901	RODAMIENTO DE BOLAS	6014 2RS1 C3	1
702	599167201	ANILLO	Nilos ring 6014 ZAV	1

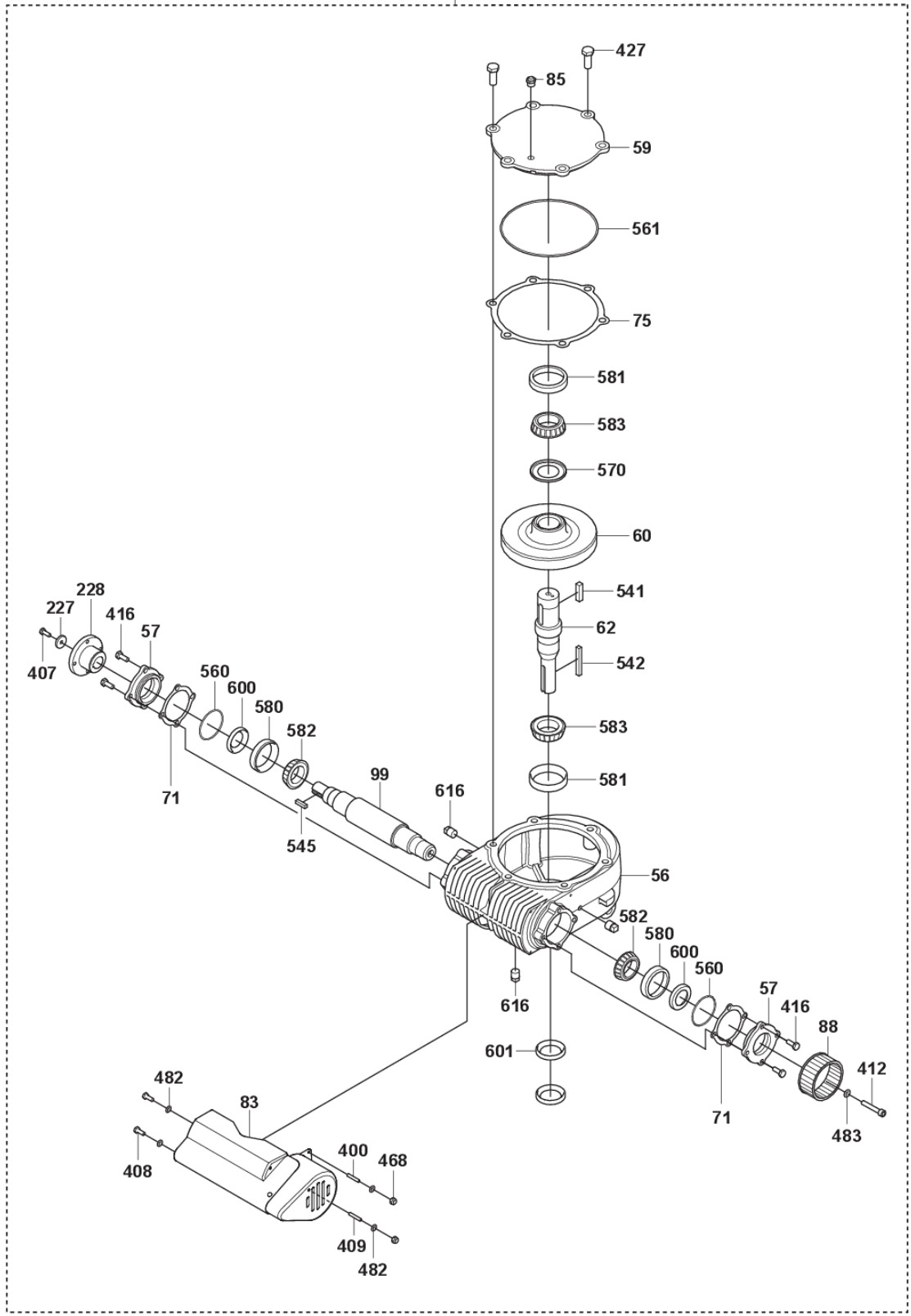
**CRT 48
GEARBOX, RIGHT**



PXM_REF	PXM_PARTNO	DESCRIPCIÓN	PXM_REMARK	
1	599340301	CARCASA DE ENGRANAJE	Gearbox assy RH. CRT 48	1
56	598992101	GEARBOX		1
57	598992201	CUBIERTA		2
59	598991501	CUBIERTA		1
61	598991601	ENGRANAJE	Wormgear. right hand	1
62	598999201	EJE		1
71	536852802	CALZA		1
75	536852801	CALZA		1
82	598992701	CUBIERTA		1
85	599170501	VÁLVULA		1
87	598992501	VENTILADOR		1
100	598995101	PIÑÓN		1
227	599165801	ARANDELA	1-1/8"x0.281"x0.187"	1
228	599125401	RACOR		1
400	599167401	PASADOR DE HORQUILLA	M4x20 DIN976	2
407	725237071	TORNILLO EHMM	M6x20 ISO4017 8.8 ZPB. 10Nm/7ft.lbs	1
408	599168201	TORNILLO	M4x14 ISO4017 8.8 ZPB. 3Nm/2ft.lbs	2
409	599168101	PASADOR DE HORQUILLA	M4x25 DIN976	2
412	725537801	TORNILLO IHSCM	M6x40 ISO4762 8.8 ZPB	1
416	725245101	TORNILLO	24Nm/18ft.lbs (S3)	8
427	598749801	TORNILLO	M12 x 35. 85Nm/63ft.lbs (DIN933 S3)	2
468	599159801	LOCK NUT	3Nm/2ft.lbs (S3)	2
482	734114601	ARANDELA	M5 ISO7089 200HV ZPB	4
483	599160201	ARANDELA		1
541	599164801	TECLA	Square key 3/8"x1-1/2" 4140 320BHN"	1
542	599167601	TECLA	Square key 3/8"x4"	1
545	599161501	TECLA	Square key 1/4"x1"	1
560	598992301	ANILLO TORICA	2-3/8"x3/32 NBR 70 Shore	2
561	598992401	ANILLO TORICA	7-1/4"x1/8" NBR 70 Shore	1
570	599164501	SELLO	2.78 x 1.625	1
580	599164601	RODAMIENTO		2
581	599164701	RODAMIENTO		2
582	598994701	RODAMIENTO		2
583	599165601	RODAMIENTO		2
600	599047501	SELLO	1.313 x 2.066x0.31	2
601	599047601	SELLO	1.625 x 2.252x0.31	2
616	599171001	TAPÓN	3/8in NPTF (S8)	3

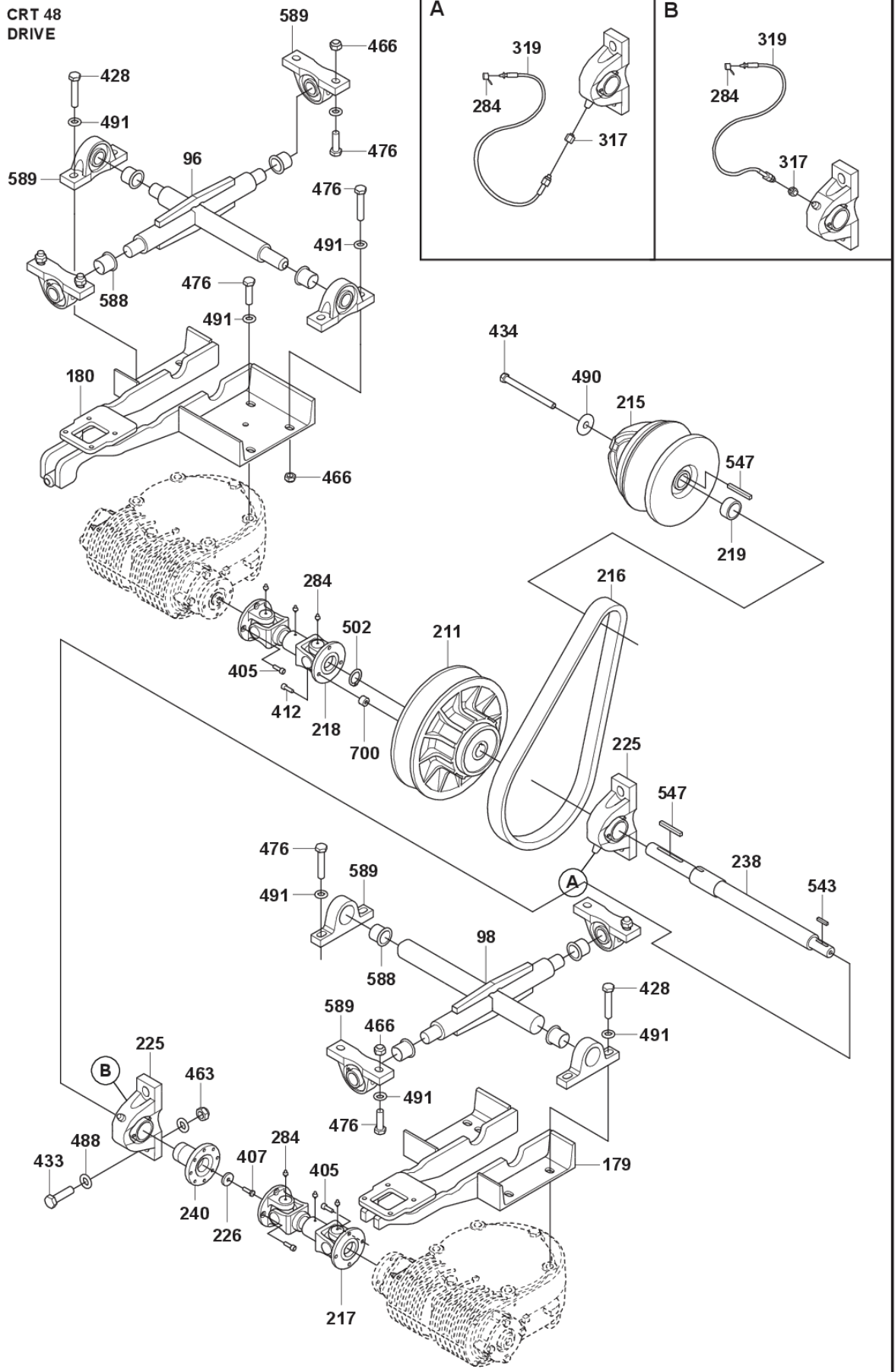
CRT 48
GEARBOX, LEFT

1



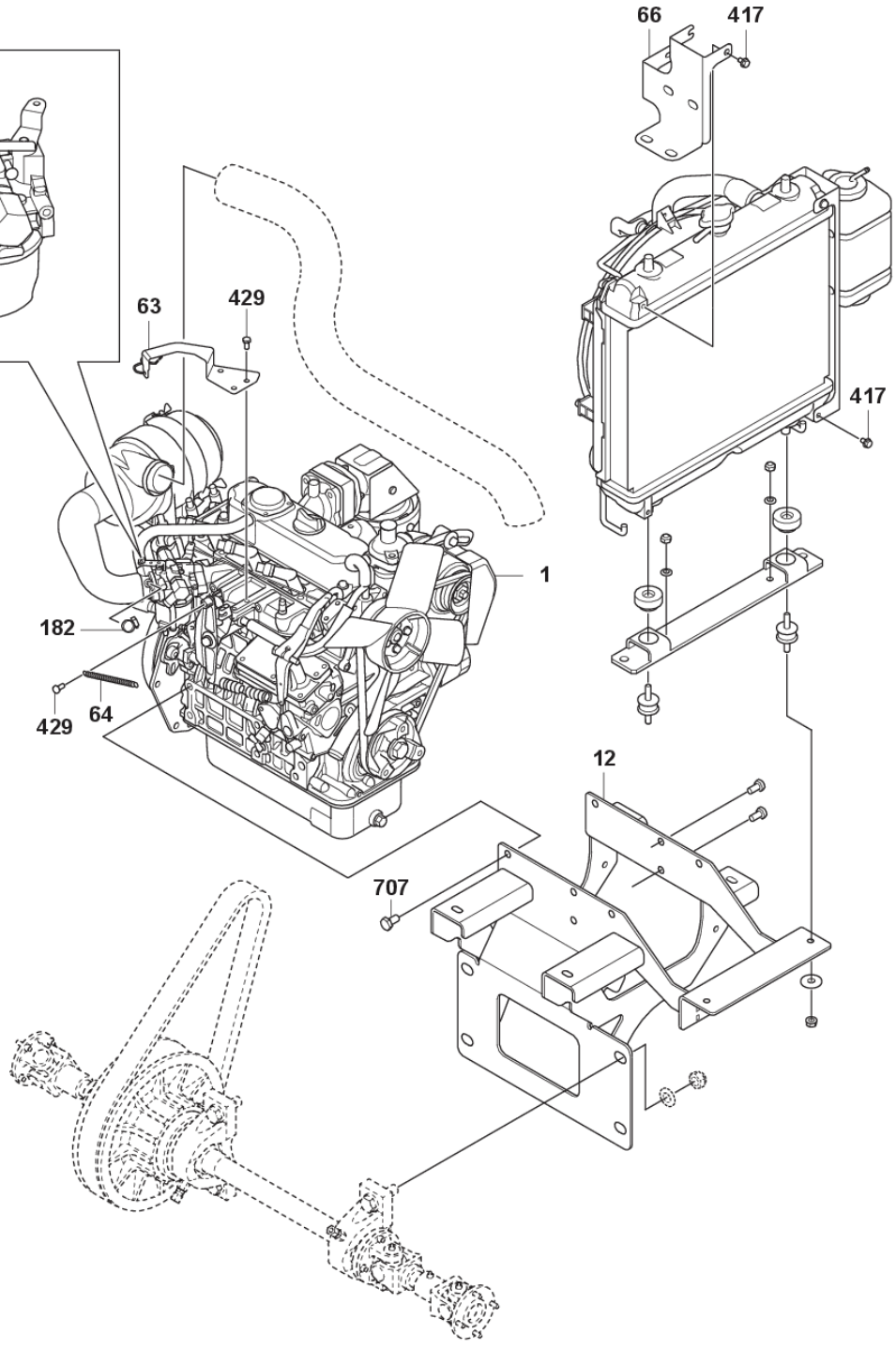
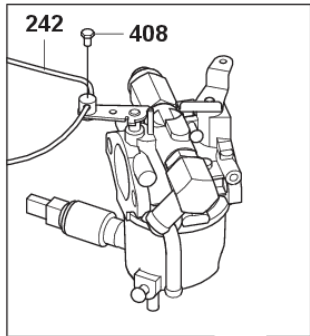
PXM_REF	PXM_PARTNO	DESCRIPCIÓN	PXM_REMARK	
1	599340302	CARCASA DE ENGRANAJE	Gearbox assy LH, CRT 48	1
56	598992101	GEARBOX		1
57	598992201	CUBIERTA		2
59	598991501	CUBIERTA		1
60	598991801	ENGRANAJE	Wormgear, left hand	1
62	598999201	EJE		1
71	536852802	CALZA	Shim kit, side cover, 4pcs	1
75	536852801	CALZA	Shim kit, upper cover, 5pcs	1
83	598993001	CUBIERTA	Fan cover, LH	1
85	599170501	VÁLVULA		1
88	598992601	VENTILADOR	Fan, LH	1
99	598995001	PIÑÓN	Worm, LH	1
227	599165801	ARANDELA	1-1/8"x0.281"x0.187"	1
228	599125401	RACOR		1
400	599167401	PASADOR DE HORQUILLA	M4x20 DIN976	2
407	725237071	TORNILLO EHHM	M6x20 ISO4017 8.8 ZPB, 10Nm/7ft.lbs	1
408	599168201	TORNILLO	M4x14 ISO4017 8.8 ZPB, 3Nm/2ft.lbs	2
409	599168101	PASADOR DE HORQUILLA	M4x25 DIN976	2
412	725537801	TORNILLO IHSCM	M6x40 ISO4762 8.8 ZPB	1
416	725245101	TORNILLO	24Nm/18ft.lbs (S3)	8
427	598749801	TORNILLO	M12 x 35, 85Nm/63ft.lbs (DIN933 S3)	2
468	599159801	LOCK NUT	3Nm/2ft.lbs (S3)	2
482	734114601	ARANDELA	M5 ISO7089 200HV ZPB	4
483	599160201	ARANDELA		1
541	599164801	TECLA	Square key 3/8"x1-1/2" 4140 320BHN	1
542	599167601	TECLA	Square key 3/8"x4"	1
545	599161501	TECLA	Square key 1/4"x1"	1
560	598992301	ANILLO TORICA	2-3/8"x3/32 NBR 70 Shore	2
561	598992401	ANILLO TORICA	7-1/4"x1/8" NBR 70 Shore	1
570	599164501	SELLO	2.78 x 1.625	1
580	599164601	RODAMIENTO		2
581	599164701	RODAMIENTO		2
582	598994701	RODAMIENTO		2
583	599165601	RODAMIENTO		2
600	599047501	SELLO	1.313x2.066x0.31	2
601	599047601	SELLO	1.625x2.252x0.31	2
616	599171001	TAPÓN	3/8in NPTF (S8)	3

**CRT 48
DRIVE**



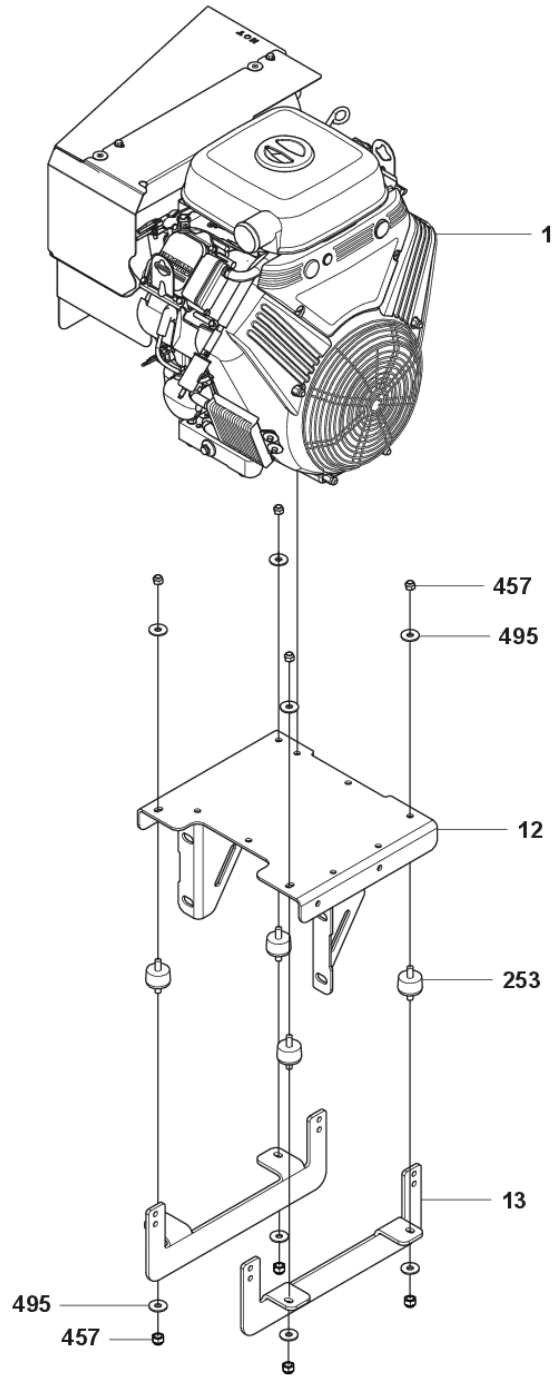
PXM_REF	PXM_PARTNO	DESCRIPCIÓN	PXM_REMARK	
96	599058301	PALANCA	Right cross	1
98	599058401	PALANCA	Left cross	1
179	599008801	SOPORTE	Gearbox bracket, left	1
180	599022901	SOPORTE	Gearbox bracket, right	1
211	599032701	EMBRAGUE		1
215	599032801	EMBRAGUE		1
216	599032601	CORREA	13-1/4"	1
217	598995201	ARTICULACIÓN		1
218	599021701	ARTICULACIÓN		1
219	599105401	ARANDELA SEPARADORA		1
225	598994501	RODAMIENTO	UCP 207-23	2
226	599165401	ARANDELA	1"x0.265"x0.1795"	1
238	599123601	EJE		1
240	598994801	RACOR		1
284	599169201	SOMBRERETE	Cap	8
317	599172901	RACOR		2
319	599083401	MANGUERA	41"	2
405	725537001	TORNILLO IHSCM	M6x20 ISO4762 8.8 ZPB. 9Nm/7ft.lbs	12
407	725237071	TORNILLO EHMM	M6x20 ISO4017 8.8 ZPB. 10Nm/7ft.lbs	1
412	725537801	TORNILLO IHSCM	M6x40 ISO4762 8.8 ZPB	3
428	725254551	TORNILLO EHMM	M12x65 ISO4014 8.8 ZPB. 85Nm/63ft.lbs	4
433	597979101	TORNILLO	M14x50 ISO4017 8.8 ZPB. 135Nm/100ft.lbs	4
434	599175101	TORNILLO	HHCS 7/16"-20 SAE x5- 1/2" GR5 (33K and 57K)	1
434	599167701	TORNILLO	HHCS 7/16"-20 SAE x4- 1/2" GR5 (37V only)	1
463	598556501	TUERCA	M14 ISO10511	4
466	732252201	TUERCA CON BLOQUEO	M12 ISO 7040 8 ZPB	1
476	725254171	TORNILLO EHMM	M12x45 ISO4017 8.8 ZPB. 10Nm/7ft.lbs	12
488	599165701	ARANDELA	M14 ISO7089 200HV ZPB	8
490	599164401	ARANDELA	0.531x1.625x0.12	1
491	734117801	ARANDELA	M12 ISO7089 200HV ZPB	20
502	542206205	ANILLO DE SEGURIDAD		1
543	541400448	TECLA	3/16"x3/16"x1"	2
547	599172401	TECLA	Square key 1/4"x2-1/2"	2
588	598993101	RODAMIENTO	1in ID	6
589	599012601	BLOQUE		6
700	535546001	ARANDELA SEPARADORA		3

**CRT48 33K
ENGINE INSTALLATION**



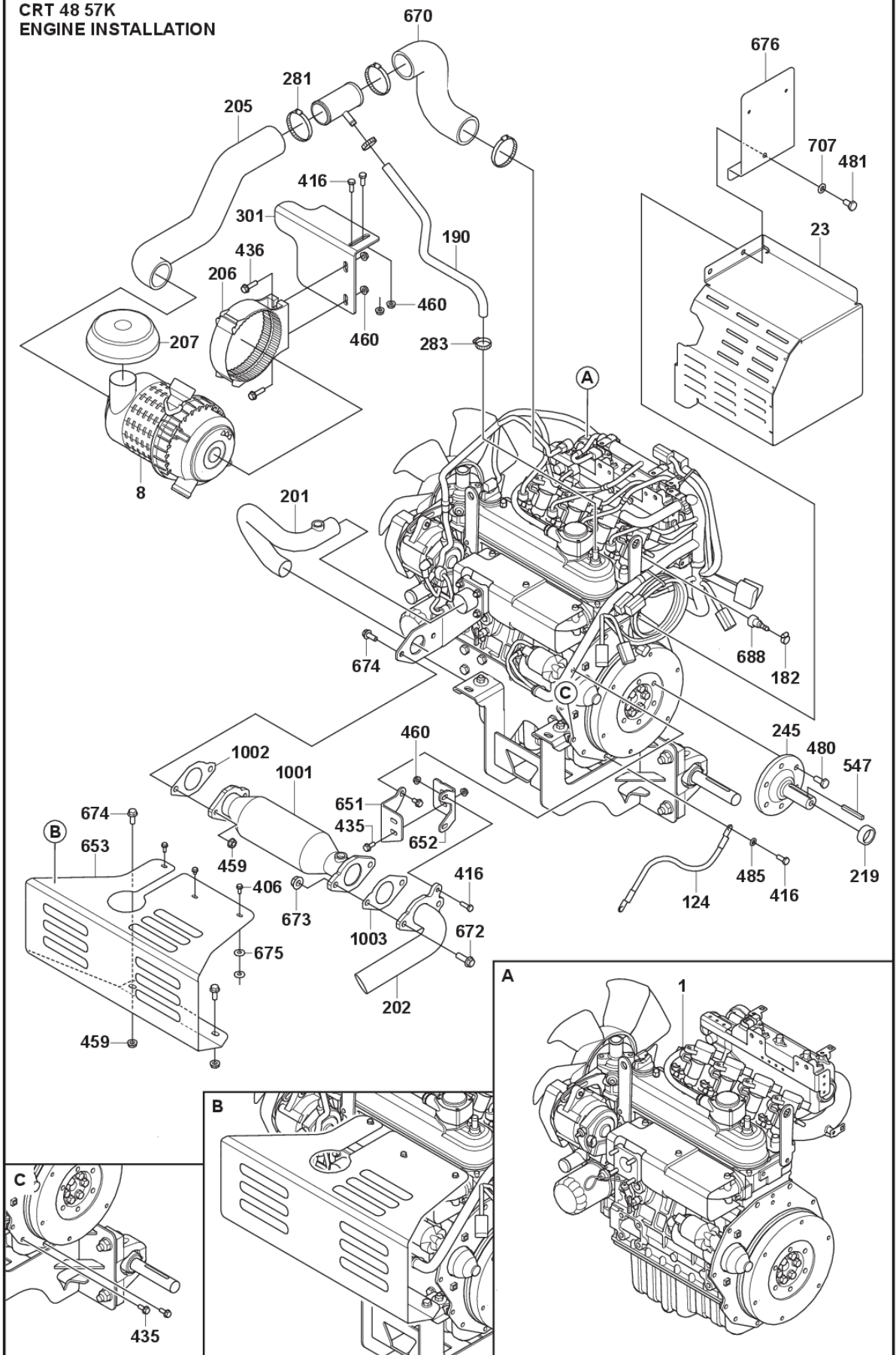
PXM_REF	PXM_PARTNO	DESCRIPCIÓN	PXM_REMARK		
1	599102301	MOTOR	Kubota WG972-GL-E3-WKR-1 (EG801-19000)	1	
12	599064801	SOPORTE		1	
63	599106201	SOPORTE		1	
64	599106901	MUELLE		1	
66	599108301	SOPORTE		1	
182	599161701	MORDAZA	0.21"-0.63"	2	
242	599108101	CABLE		1	
408	599168201	TORNILLO	M4x14 ISO4017 8.8 ZPB, 3Nm/2ft.lbs	1	
417	725236461	TORNILLO EHHFT	M6 X10, 10Nm/7ft.lbs	3	
429	725236671	TORNILLO EHHM	M6x12 ISO 4017 8.8 ZPB, 10Nm/7ft.lb	4	
707	599173501	TORNILLO	M10x20, 48Nm/35ft.lbs (S3)	8	

**CRT 48 37V
ENGINE INSTALLATION**



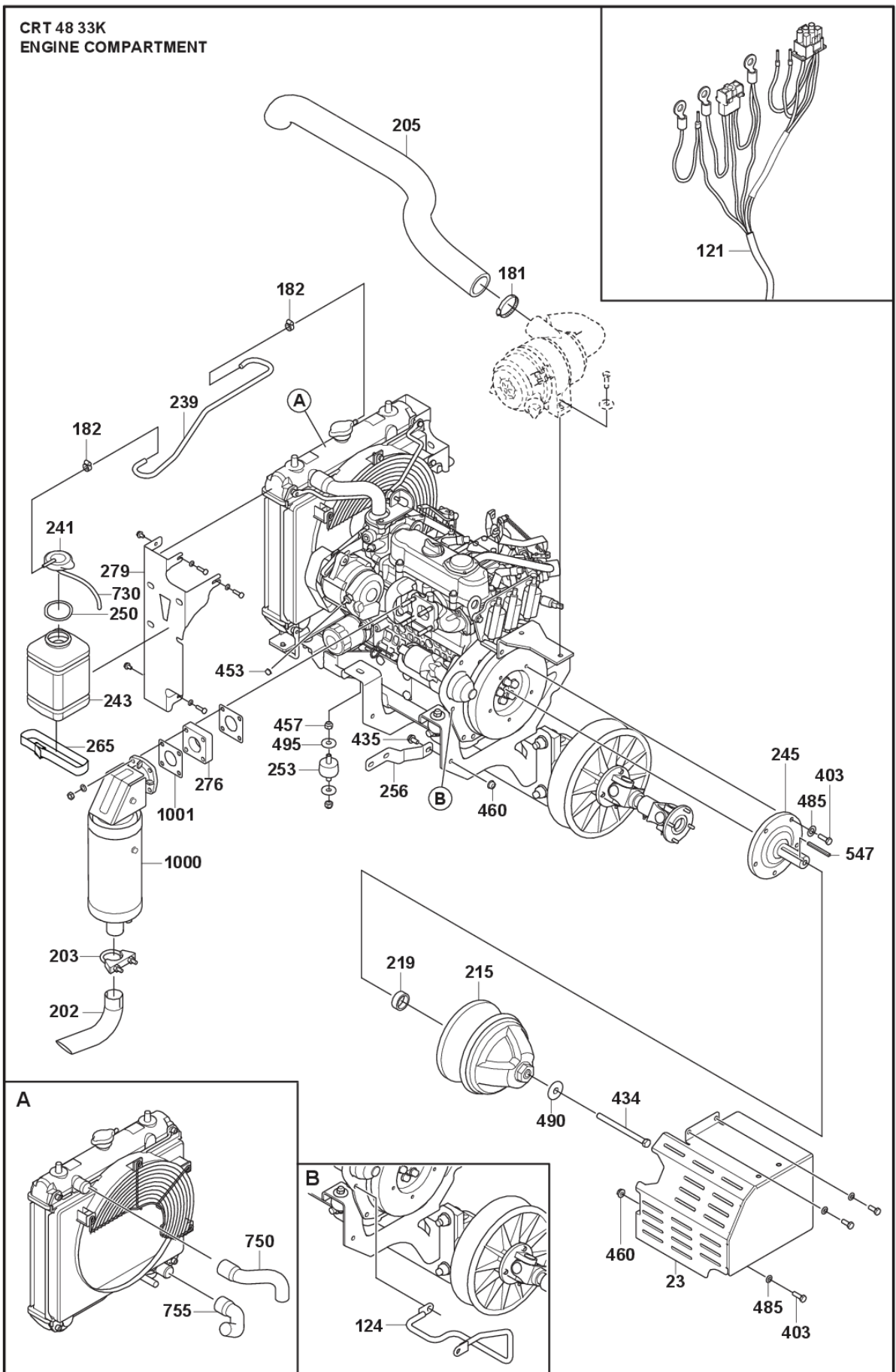
PXM_REF	PXM_PARTNO	DESCRIPCIÓN	PXM_REMARK		
1	599102601	MOTOR	Briggs & Stratton VTWIN EFI #61E3770061J1	1	
12	599022001	PLACA		1	
13	599021901	SOPORTE		2	
253	598999801	PARACHOQUES		4	
457	539976979	TUERCA	3/8"-16 hex. Nyloc	8	
495	734117441	ARANDELA	M10 ISO 7093 ZPB	1	

**CRT 48 57K
ENGINE INSTALLATION**



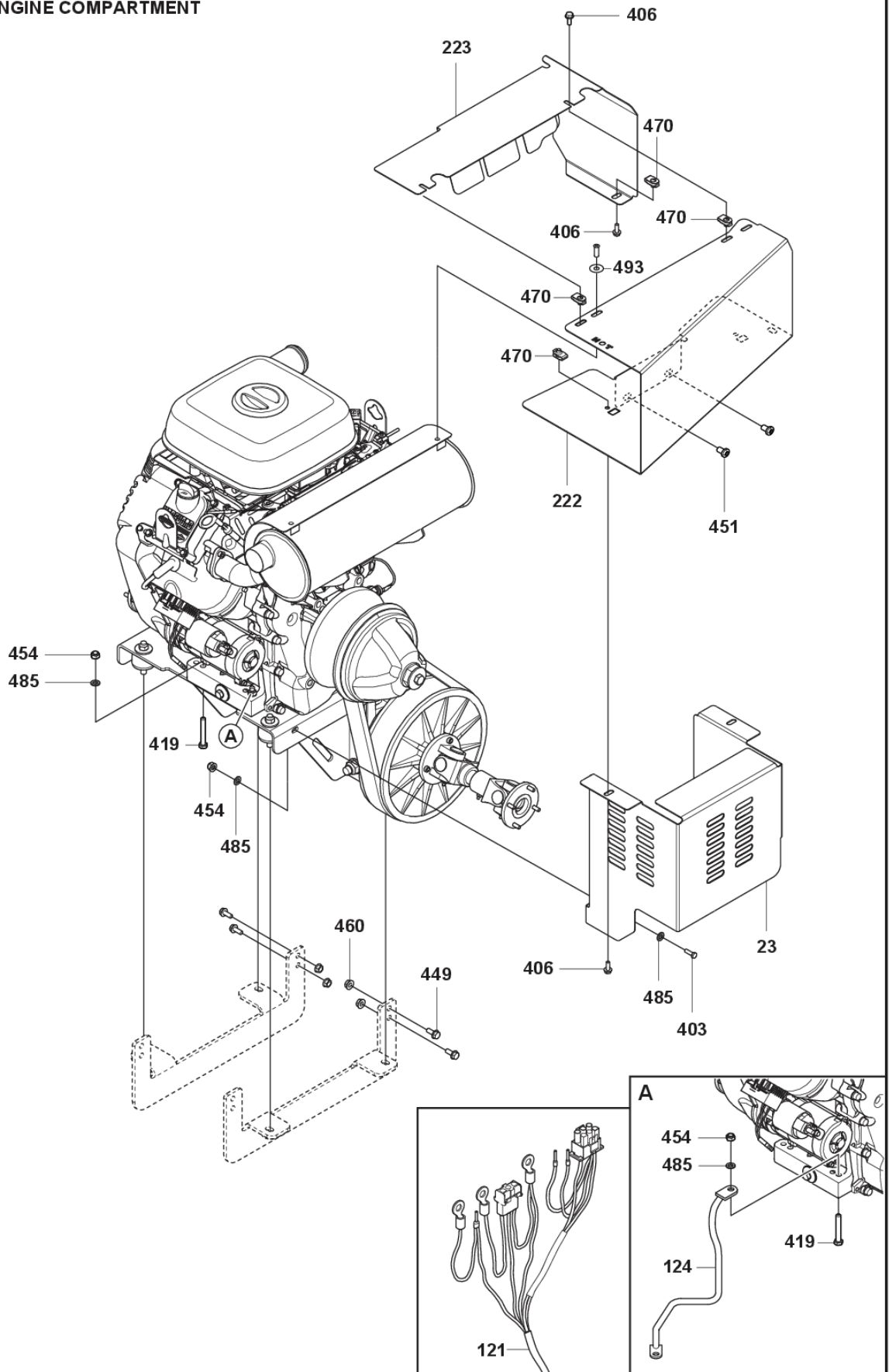
PXM_REF	PXM_PARTNO	DESCRIPCIÓN	PXM_REMARK		
1	599102401	MOTOR	Kubota WG1605-G-E3-WKR-1 (EG522-2900)	1	
8	599104601	LIMPIADOR DE AIRE		1	
23	599111801	PROTECCIÓN DE CORREA		1	
124	541201014	CABLE		1	
182	539300073	ABRAZADERA DE MANGUERA	0.21"-0.63"	1	
190	599074001	MANGUERA		1	
201	599111901	TUBO		1	
202	599112001	TUBO		1	
205	599124001	MANGUERA		1	
206	599110701	SOPORTE		1	
207	599124601	SOMBRERETE		1	
219	599105401	ARANDELA SEPARADORA		1	
245	599122001	EJE		1	
281	539300073	ABRAZADERA DE MANGUERA	Wormdrive SAE 32	4	
283	599174501	MORDAZA		2	
301	529797301	SOPORTE		1	
406	585980601	TORNILLO EHHFM	M6x16 ISO1665 8.8 ZPB, 9Nm/7ft.lbs	3	
416	506570104	TORNILLO EHHFM	M8x20 DIN 6921 8.8 ZPB	5	
435	506570103	TORNILLO EHHFM	M8x16 ISO1665 8.8 ZPB, 25Nm/18ft.lbs	8	
436	585972801	TORNILLO EHHFM	M8x30 ISO1665 8.8 ZPB, 25Nm/18ft.lbs	2	
459	576645705	NUT FLANGE	M10 ISO7042	2	
460	576645704	NUT FLANGE	M8	8	
480	599177801	TORNILLO	M10x25	6	
481	734117201	ARANDELA	M10 ISO 7089 200HV ZPB	2	
485	734116301	ARANDELA	M8 ISO7089 200HV ZPB	1	
547	599172401	TECLA	Square key 1/4"x2-1/2"	1	
651	599122901	SOPORTE		1	
652	599123101	SOPORTE		1	
653	599123302	PANTALLA		1	
670	599125901	MANGUERA		1	
672	599168901	TORNILLO	M12x35 10.9	2	
673	576645706	TUERCA	M12	2	
674	585973101	TORNILLO EHHFM	M10x25 ISO1665 8.8 ZPB	4	
675	576823101	ARANDELA		4	
676	599077701	SOPORTE		1	
688	599073601	RACOR		1	
1001	599075701	CONVERTER		1	
1002	599480901	JUNTA		1	
1003	599480902	JUNTA		1	

**CRT 48 33K
ENGINE COMPARTMENT**



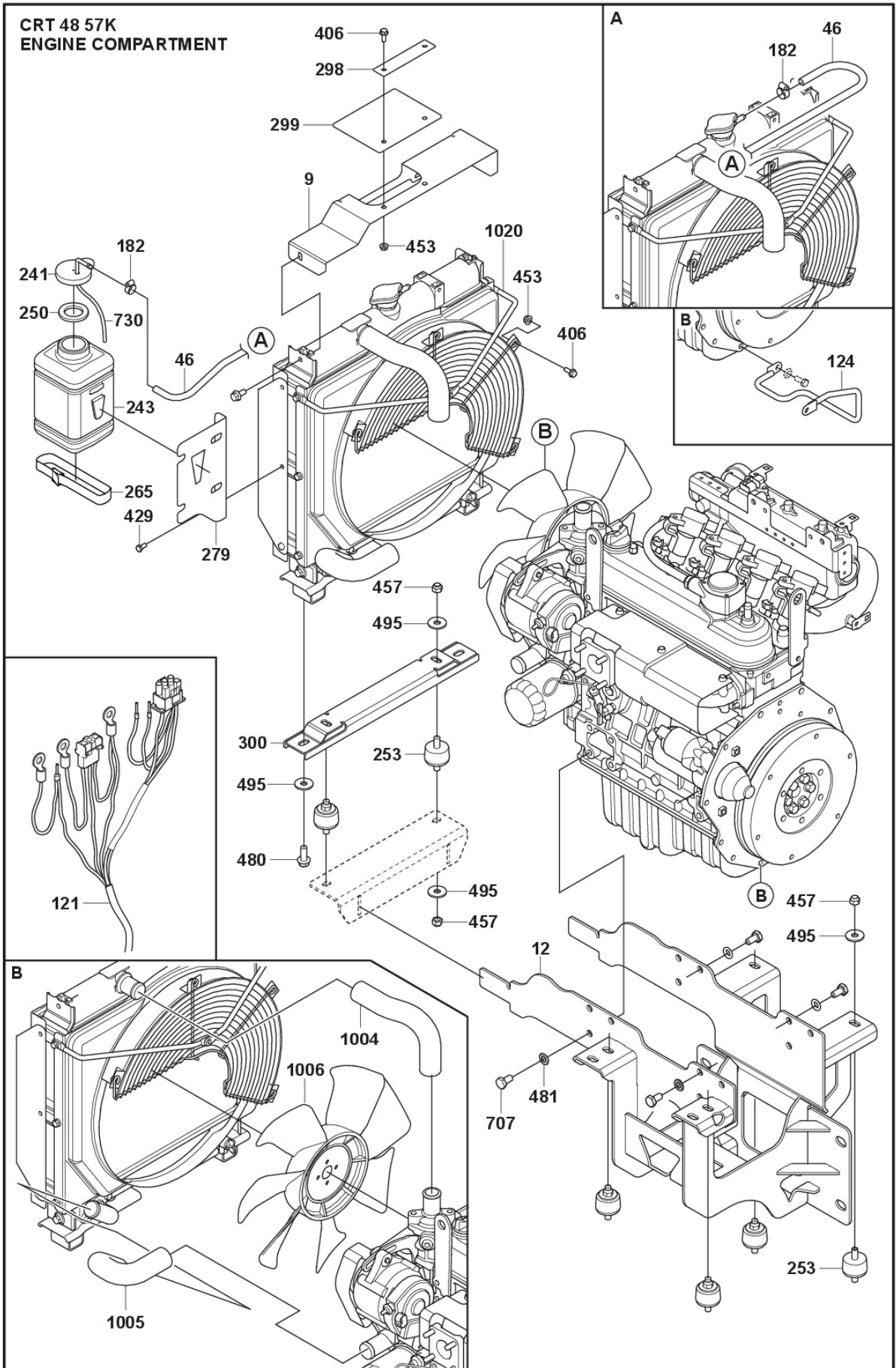
PXM_REF	PXM_PARTNO	DESCRIPCIÓN	PXM_REMARK	
23	599064901	PROTECCIÓN DE CORREA		1
121	599104501	CABLE		1
124	541201014	CABLE		1
181	539300073	ABRAZADERA DE MANGUERA	Wormdrive SAE 32	1
182	599161701	MORDAZA	0.21"-0.6"	2
202	599105501	TUBO		1
203	599163901	MORDAZA		1
205	599107001	MANGUERA		1
215	599032801	EMBRAGUE		1
219	599105401	ARANDELA SEPARADORA		1
239	599463701	MANGUERA DE COMBUSTIBLE	24"	1
241	599034301	SOMBRERETE		1
243	599034201	BOTELLA		1
245	599105201	EJE		1
250	599064501	JUNTA		1
253	598999801	PARACHOQUES		4
256	599107401	SOPORTE		1
265	599173201	CABLE		2
276	599105601	ARANDELA SEPARADORA		1
279	599105301	SOPORTE		1
403	725245371	TORNILLO EHHM	M8x25 ISO4017 8.8 ZPB, 31Nm/23ft.lbs	8
434	599175101	TORNILLO	7/16"-20x5.5" SAE GR5	1
435	506570103	TORNILLO EHHFM	M8x16 ISO1665 8.8 ZPB, 25Nm/18ft.lbs	9
453	593356401	TUERCA	M6	1
460	576645704	NUT FLANGE	M8	1
485	734116301	ARANDELA	M8 ISO7089 200HV ZPB	8
490	599164401	ARANDELA	0.531"x1.625"x0.120", flat	1
495	734117441	ARANDELA	M10 ISO 7093 ZPB	8
547	599172401	TECLA	Square key 1/4"x2-1/2"	1
730	599075501	MANGUERA	152 mm	1
750	599463601	MANGUERA		1
755	599463602	MANGUERA		1
1000	599463201	SILENCIADOR	Mufler-33K	1
1001	599463301	MUFFLER GASKET	Mufler gasket - 33K	2

**CRT48 37V
ENGINE COMPARTMENT**



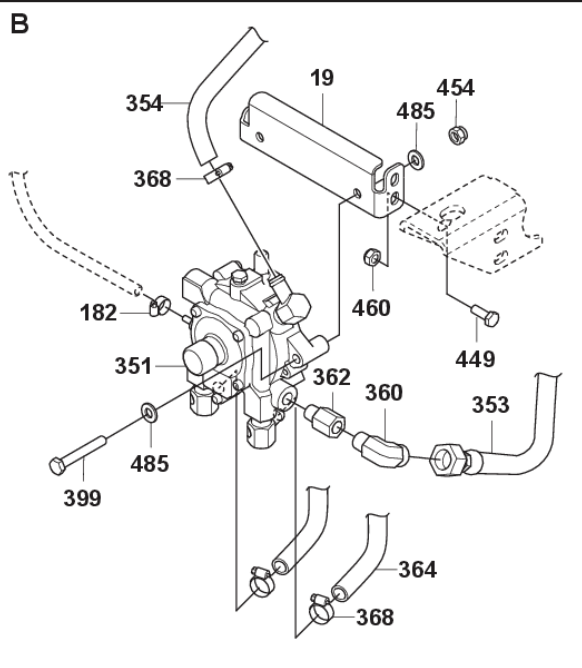
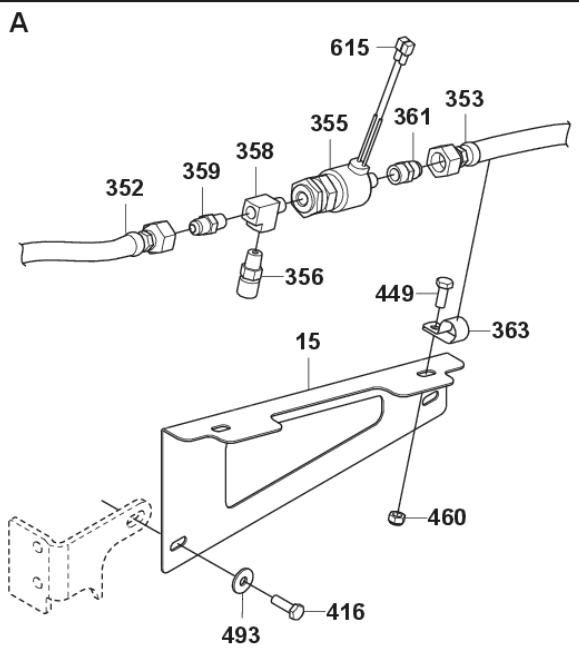
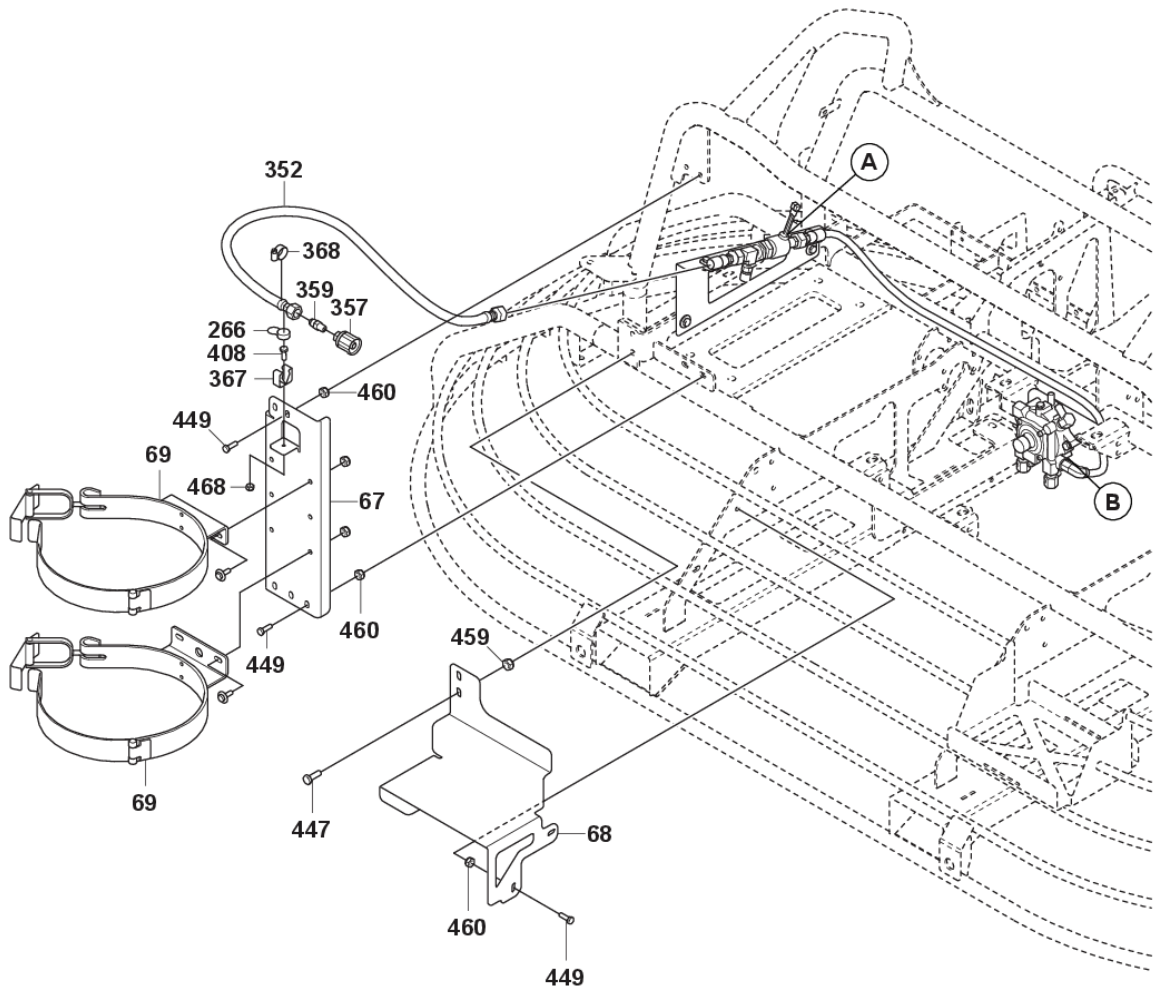
PXM_REF	PXM_PARTNO	DESCRIPCIÓN	PXM_REMARK	
23	599033601	PROTECCIÓN DE CORREA		1
121	599076801	CABLEADO		1
222	599043501	PROTECTOR DE CALOR		1
223	599043601	PROTECTOR DE CALOR		1
403	725245371	TORNILLO EHHM	M8x25 ISO4017 8.8 ZPB, 31Nm/23ft.lbs	1
406	599458501	TORNILLO	M6x16 DIN 6921S 8.8 ZPB	5
419	725246251	TORNILLO EHHM	M8x55 ISO4014 8.8 ZPB, 24Nm/18ft.lbs	4
449	506570104	TORNILLO EHHFM	M8x20 ISO1665 8.8 ZPB, 24Nm/18ft.lbs	8
451	599176901	TORNILLO		2
454	732251801	TUERCA CON BLOQUEO	M8 ISO 7040 8 ZPB	5
460	576645704	NUT FLANGE	M8	8
470	599166801	LOCK NUT	M6	5
485	734116301	ARANDELA	M8 ISO7089 200HV ZPB	6
493	734116541	ARANDELA	M8 ISO 7093 ZPB	2

**CRT 48 57K
ENGINE COMPARTMENT**



PXM_REF	PXM_PARTNO	DESCRIPCIÓN	PXM_REMARK	
9	599123001	PANTALLA		1
12	599121201	SOPORTE		1
46	599481201	MANGUERA DE COMBUSTIBLE	28"	1
121	599077801	CABLE		1
182	539300073	ABRAZADERA DE MANGUERA	0.21"-0.63"	2
241	599034301	SOMBRERETE		1
243	599034201	BOTELLA		1
250	599064501	JUNTA		1
253	598999801	PARACHOQUES		6
265	599173201	CABLE		2
279	599112101	SOPORTE		1
298	599044701	PLACA		1
299	599044501	PANTALLA		1
300	599075401	SOPORTE		1
406	599458501	TORNILLO	M6x16 DIN 6921S 8.8 ZPB	6
429	596320101	PERNO	M6x12 ISO4017 8.8 ZPB. 10Nm/7ft.lb	2
453	593356401	TUERCA	M6	6
457	539976979	TUERCA	3/8"-16 hex. Nyloc	12
480	599177801	TORNILLO	M10x25	2
481	734117201	ARANDELA	M10 ISO7089 200HV ZPB	12
495	734117441	ARANDELA	M10 ISO 7093 ZPB	14
707	599173501	TORNILLO	M10x20, 48Nm/35ft.lbs (S3)	12
730	599075501	MANGUERA	152 mm	1
1004	599480601	MANGUERA		1
1005	599480602	MANGUERA		1
1006	599480701	VENTILADOR		1
1020	599480301	RADIADOR		1

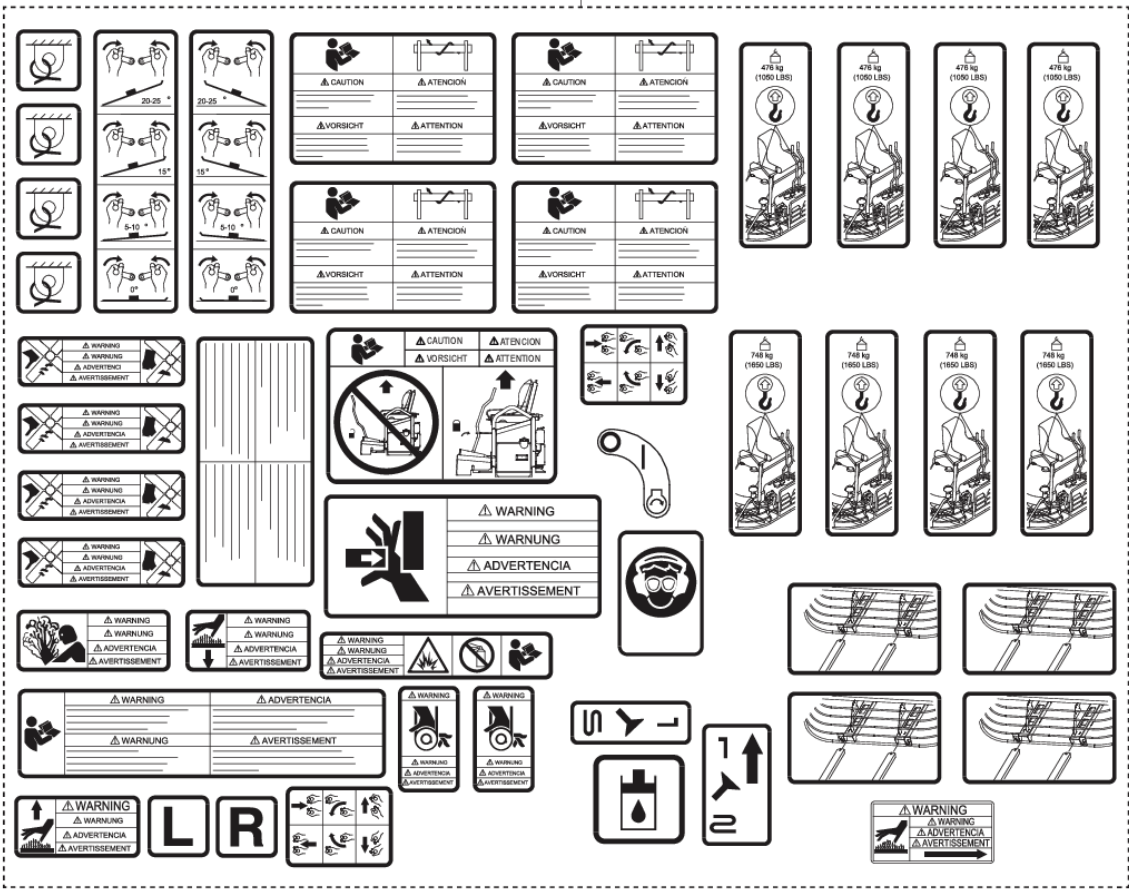
**CRT48 33K DF
COMPONENTS, PROPANE**



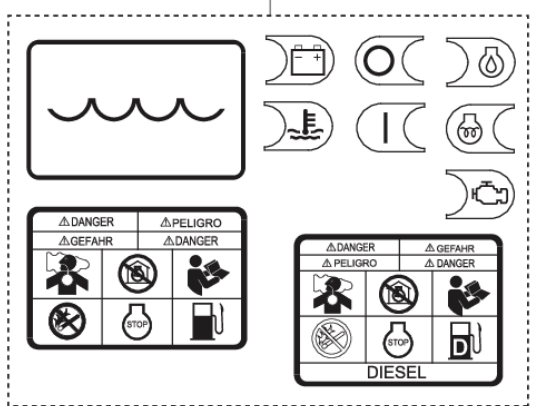
PXM_REF	PXM_PARTNO	DESCRIPCIÓN	PXM_REMARK	
15	599108901	SOPORTE		1
19	599105801	SOPORTE		1
67	599108701	PLACA		1
68	599108801	PLACA		1
69	599109001	MONTAJE		1
182	542020049	MORDAZA	0.21"-0.63"	1
266	599110801	SOMBRERETE		1
351	599109201	CARCASA		1
352	599109501	MANGUERA		1
353	599109701	MANGUERA		1
354	599107501	MANGUERA		1
355	599109801	VÁLVULA		1
356	599109901	VÁLVULA		1
357	599110001	CONECTOR		1
358	599110101	RACOR	1/4"x1/4"	1
359	599110201	RACOR	1/4" NPT	1
360	599110301	RACOR	1/4" NPT x 90°	1
361	599110401	RACOR	1/4" NPT	1
362	599111401	RACOR		1
363	599171401	MORDAZA	3/4"	2
364	599112301	MANGUERA	3/8"x705mm	2
367	599168301	MORDAZA		1
368	599174501	MORDAZA	9/16"x1-1/16", SST	6
399	725246151	TORNILLO EHHM	M8x50 ISO4014 8.8 ZPB, 25Nm/18ft.lbs	2
408	599168201	TORNILLO	M4x14 ISO4017 8.8 ZPB, 3Nm/2ft.lbs	1
416	725245171	TORNILLO EHHM	M8x20 ISO 4017 8.8 ZPB	2
447	725249571	TORNILLO EHHM	M10x30 ISO4017 8.8 ZPB, 49Nm/36ft.lbs	2
449	506570104	TORNILLO EHHFM	M8x20 ISO1665 8.8 ZPB, 25Nm/18ft.lbs	11
454	732251801	TUERCA CON BLOQUEO	M8 ISO 7040 8 ZPB	2
459	599582901	TUERCA	M10 DIN 6923S 8 ZPB	2
460	576645704	NUT FLANGE	M8	11
468	542167485	LOCK NUT	M4 Locknut, fiber	1
485	734116301	ARANDELA	M8 ISO7089 200HV ZPB	4
493	734116541	ARANDELA	M8 ISO7093 ZPB	2
615	539300145	TERMINAL		2

**CRT 48
DECALS - US**

1



2



3



4

CRT 48



5



7

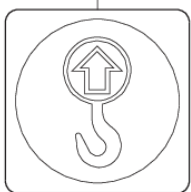


6

8



9



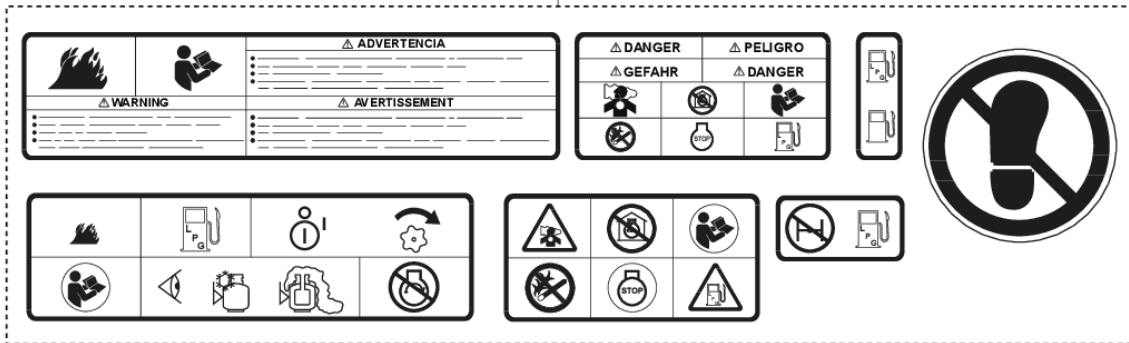
10



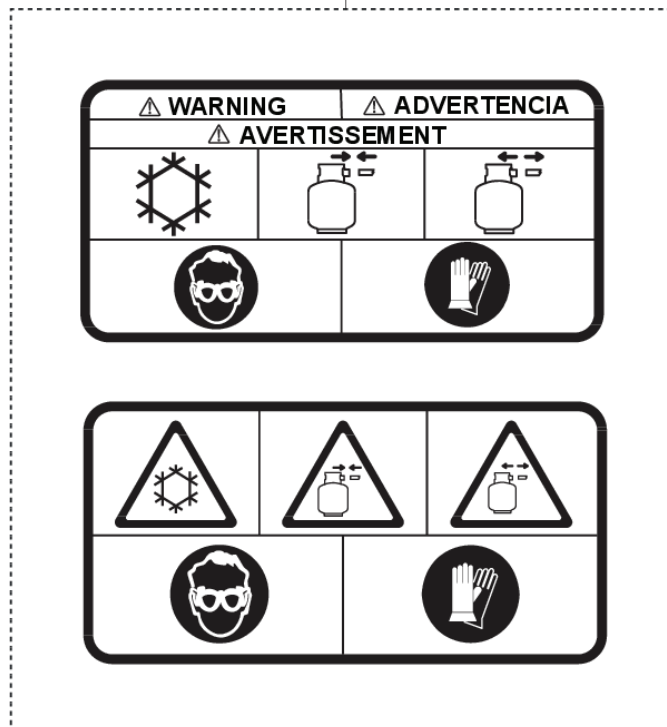
PXM_REF	PXM_PARTNO	DESCRIPCIÓN	PXM_REMARK
1	599047301	LABEL DRILL	1
2	599043101	LABEL DRILL	1
3	599002501	LABEL DRILL	2
4	599234901	ADHESIVO	1
5	599235001	ADHESIVO	1
6	599235301	ADHESIVO	2
7	580401613	ADHESIVO	1
8	599715601	ADHESIVO	1
9	599963601	ETIQUETA	2
10	585370401	ADHESIVO	35L only 1

CRT 48
DECALS - PROPANE

1



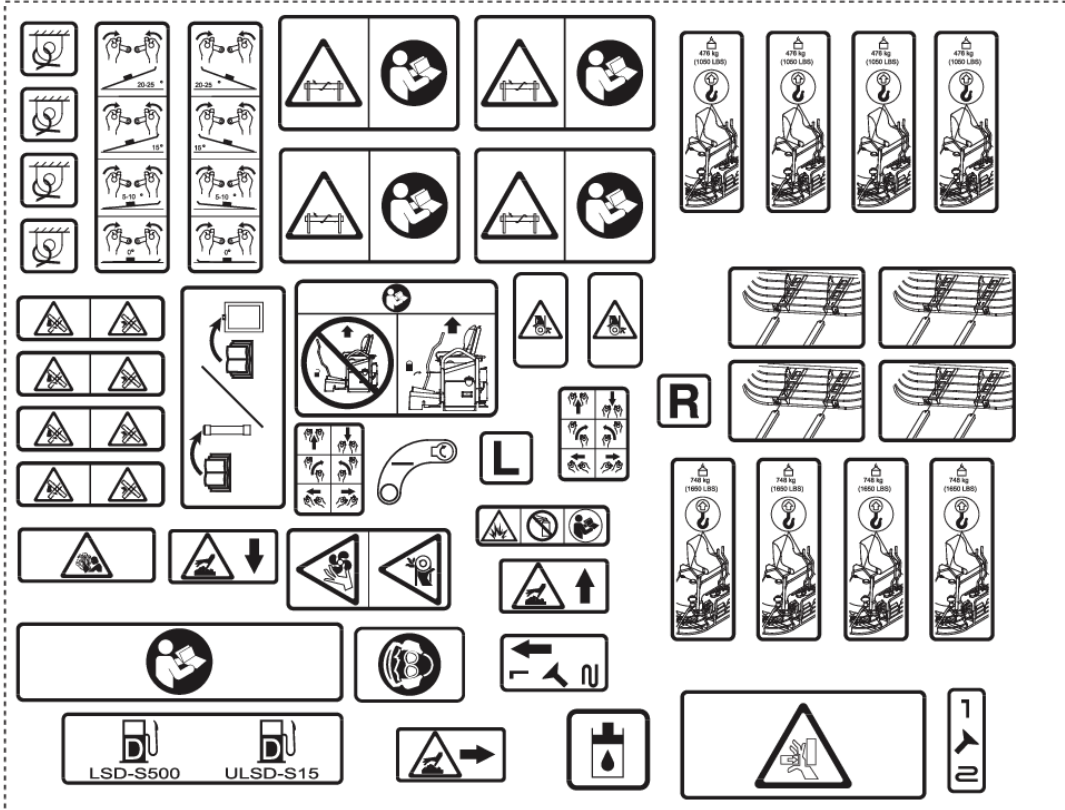
2



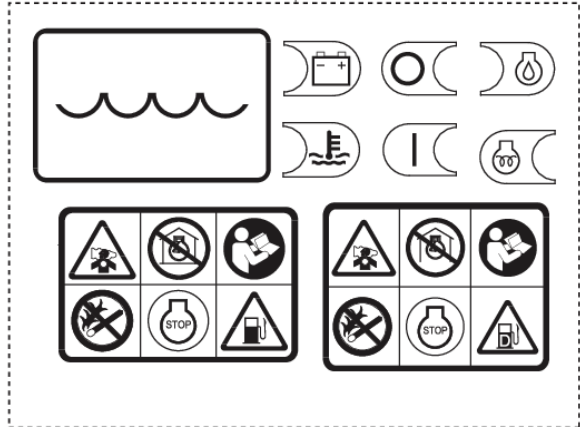
PXM_REF	PXM_PARTNO	DESCRIPCIÓN	PXM_REMARK
1	599110501	LABEL DRILL	1
2	599111501	LABEL DRILL	1

CRT 48
DECALS - EU

1



2



3



4

CRT 48

5



7



8



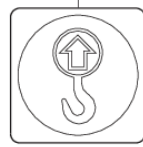
6

Husqvarna

9

UK Importer: Husqvarna UK Limited
Address: Preston Road, Aycliffe
Business Park Newton
Aycliffe, County Durham
UK DL5 6UP

10



PXM_REF	PXM_PARTNO	DESCRIPCIÓN	PXM_REMARK
1	599051501	LABEL DRILL	1
2	599055401	LABEL DRILL	1
3	599002501	LABEL DRILL	2
4	599234901	ADHESIVO	1
5	599235001	ADHESIVO	1
6	599235301	ADHESIVO	1
7	588061601	ADHESIVO	1
8	587112001	ETIQUETA	1
9	529752801	ETIQUETA	1
10	599963601	ETIQUETA	1