



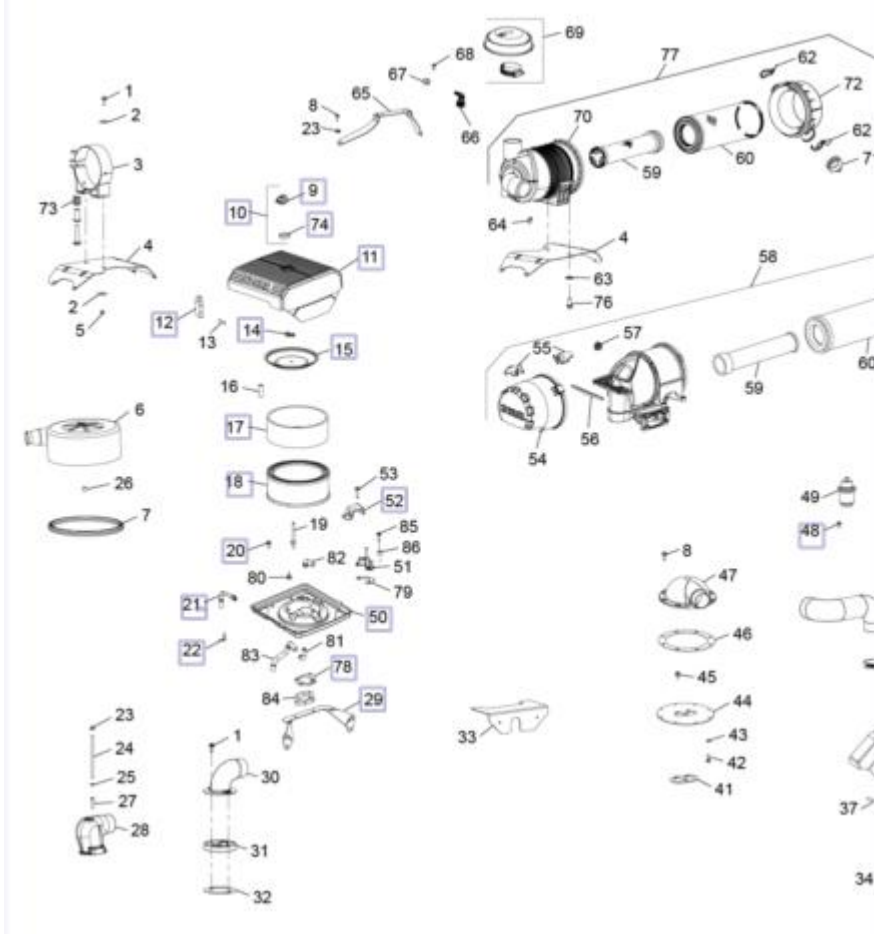
CH620-3101

Idle Speed 1200 RPM/High Speed 3750 RPM - E3

BASIC

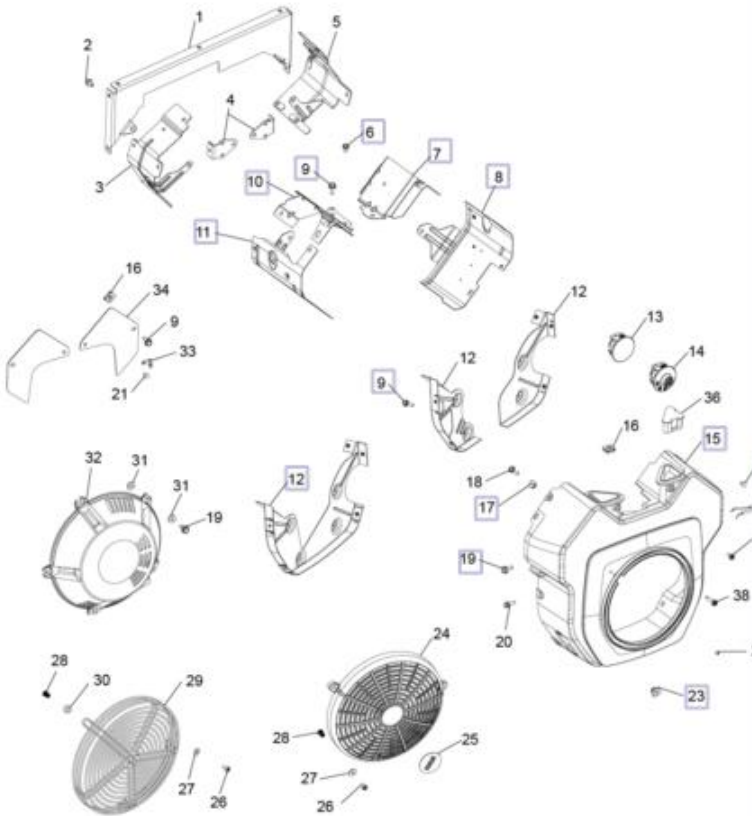
**AIR INTAKE GROUP**

CH18,CH20,CH22,CH23,CH25,CH620,CH640,CH670,CH680,CH730,CH740,CH750



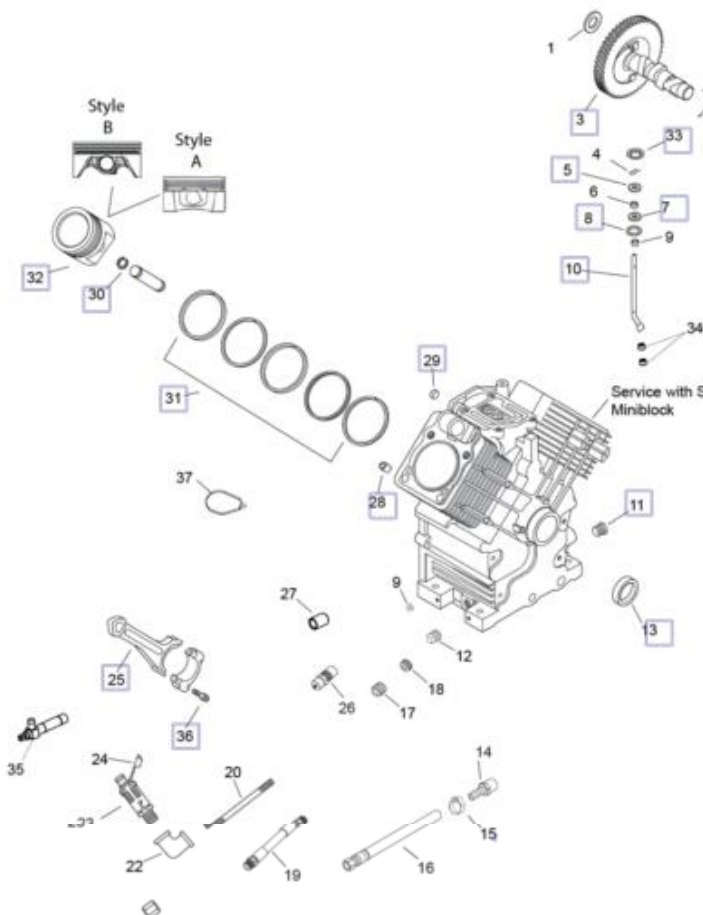
Ref #	Part #	Description	Qty
9	<a href="#">25 341 04-S</a>	KNOB, COVER	1
10	<a href="#">54 755 01-S</a>	KIT, KNOB W/SEAL	1
11	<a href="#">24 096 67-S</a>	COVER, AIR CLEANER	1
11	<a href="#">24 743 05-S</a>	KIT, AIR CLEANER COVER	1
12	<a href="#">24 032 03-S</a>	SEAL, INNER AIR CLEANER	1
14	<a href="#">12 100 01-S</a>	NUT, WING	1
15	<a href="#">24 096 01-S</a>	COVER, INNER AIR CLEANER	1
17	<a href="#">24 083 02-S</a>	ELEMENT, PRECLEANER (L...	1
18	<a href="#">47 083 03-S</a>	ELEMENT, AIR CLEANER	1
20	<a href="#">24 086 53-S</a>	SCREW, FLG THD FRM M6X...	3
21	<a href="#">24 326 116-S</a>	HOSE, EVAPORATIVE-USE 2...	1
22	<a href="#">24 294 27-S</a>	CONNECTOR, EVAPORATIV...	1
29	<a href="#">24 126 130-S</a>	BRACKET, AIR CLEANER BA...	1
48	<a href="#">25 086 400-S</a>	SCREW, THREAD FORMING	2
50	<a href="#">24 094 84-S</a>	KIT, AIR CLEANER BASE	1
52	<a href="#">24 126 206-S</a>	BRACKET, AIR CLEANER	1
74	<a href="#">24 153 20-S</a>	O-RING	1
78	<a href="#">24 041 06-S</a>	GASKET, AIR CLEANER BASE	1

**BLOWER HOUSING GROUP**  
 CH18,CH20,CH22,CH23,CH25,CH620,CH640,CH670,CH680,CH730,CH740,CH750



Ref #	Part #	Description	Qty
6	<a href="#">25 086 400-S</a>	SCREW, THREAD FORMING	2
7	<a href="#">24 083 93-S</a>	BAFFLE, VALLEY #1 CYLIND...	1
8	<a href="#">24 083 85-S</a>	KIT, CYL BAFFEL #1 SIDE	1
9	<a href="#">25 086 396-S</a>	SCREW, THREAD FORMING	2
9	<a href="#">25 086 397-S</a>	SCREW, THREAD FORMING	6
10	<a href="#">24 083 94-S</a>	BAFFLE, VALLEY #2 CYLIND...	1
11	<a href="#">24 083 88-S</a>	KIT, CYL BAFFEL #2 SIDE	1
12	<a href="#">24 146 59-S</a>	KIT, BACKING PLATE	1
15	<a href="#">24 027 442-S</a>	HOUSING, BLOWER	1
17	<a href="#">24 100 02-S</a>	NUT, PLASTIC	2
19	<a href="#">25 086 398-S</a>	SCREW, THREAD FORMING	3
19	<a href="#">25 086 426-S</a>	SCREW, THREAD FORMING	1
21	<a href="#">25 139 16-S</a>	PLUG, BUTTON 9/16	1
23	<a href="#">24 100 01-S</a>	NUT, PLASTIC (KM)-USE 25 ...	3

**CRANKCASE GROUP**  
 CH18,CH20,CH22,CH23,CH25,CH620,CH640,CH670,CH680,CH730,CH740,CH750

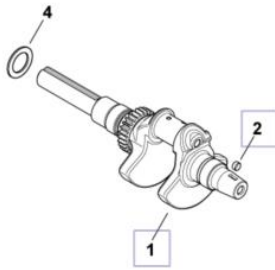


Ref #	Part #	Description	Qty
3	<a href="#">24 012 10-S</a>	KIT, CAMSHAFT	1
5	<a href="#">M-931010-S</a>	WASHER, FLAT 9 MM	1
7	<a href="#">28 032 09-S</a>	SEAL, GOVERNOR CROSS ...	1
8	<a href="#">24 468 15-S</a>	WASHER, FLAT 11/32"	1
10	<a href="#">24 144 38-S</a>	SHAFT, GOVERNOR CROSS	1
11	<a href="#">52 139 02-S</a>	PLUG, HD PIPE 3/8"	2
13	<a href="#">24 032 19-S</a>	SEAL, OIL (HELIX LIP)	1
25	<a href="#">24 067 34-S</a>	KIT, CONNECTING ROD ASS...	2
28	<a href="#">24 380 16-S</a>	PIN, LOCATING	6
29	<a href="#">52 139 09-S</a>	PLUG, CUP	1
30	<a href="#">24 018 01-S</a>	RETAINER, PISTON PIN	4
31	<a href="#">24 108 26-S</a>	RING SET (STD)1.2MM TOP ...	2
31	<a href="#">24 108 27-S</a>	RING SET (.08)1.2MM TOP R...	2
31	<a href="#">24 108 28-S</a>	RING SET (.25)1.2MM TOP R...	2
31	<a href="#">24 108 29-S</a>	RING SET (.50)1.2MM TOP R...	2
31	<a href="#">24 108 18-S</a>	RING SET (STD) 1.5MM TOP ...	2
31	<a href="#">24 108 19-S</a>	RING SET (.08) 1.5MM TOP ...	2
31	<a href="#">24 108 20-S</a>	RING SET (.25)1.5MM TOP R...	2
31	<a href="#">24 108 21-S</a>	RING SET (.50)1.5MM TOP R...	2
32	<a href="#">24 874 54-S</a>	PISTON WRINGS (STYLE B)...	1
32	<a href="#">24 874 55-S</a>	PISTON WRINGS (STYLE B)...	2
32	<a href="#">24 874 56-S</a>	PISTON WRINGS (STYLE B)...	2
32	<a href="#">24 874 57-S</a>	PISTON WRINGS (STYLE B)...	2
32	<a href="#">24 874 42-S</a>	PISTON WRINGS (STYLE A)...	2
32	<a href="#">24 874 43-S</a>	PISTON WRINGS (STYLE A)...	2
32	<a href="#">24 874 44-S</a>	PISTON WRINGS (STYLE A)...	2
32	<a href="#">24 874 45-S</a>	PISTON WRINGS (STYLE A)...	2
33	<a href="#">24 018 09-S</a>	RETAINER, RING	1
36	<a href="#">25 086 452-S</a>	KIT, ROD BOLTS	4
	<a href="#">25 357 14-S</a>	LUBRICANT, CAMSHAFT NOT ILLUSTRATED	1

**CRANKSHAFT GROUP**

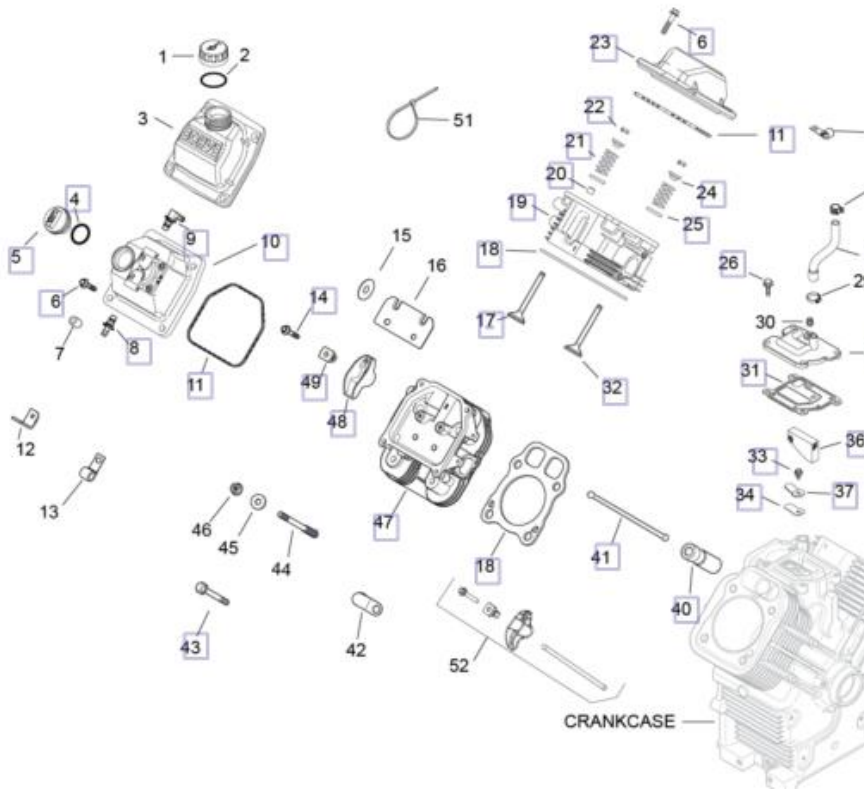
CH18,CH20,CH22,CH23,CH25,CH620,CH640,CH670,CH680,CH730,CH740,CH750

Ref #	Part #	Description	Qty
1	<a href="#">24 014 381-S</a>	CRANKSHAFT, NON-THRUS...	1
2	<a href="#">52 139 09-S</a>	PLUG, CUP	1



**CYLINDER HEAD/BREATHER GROUP**

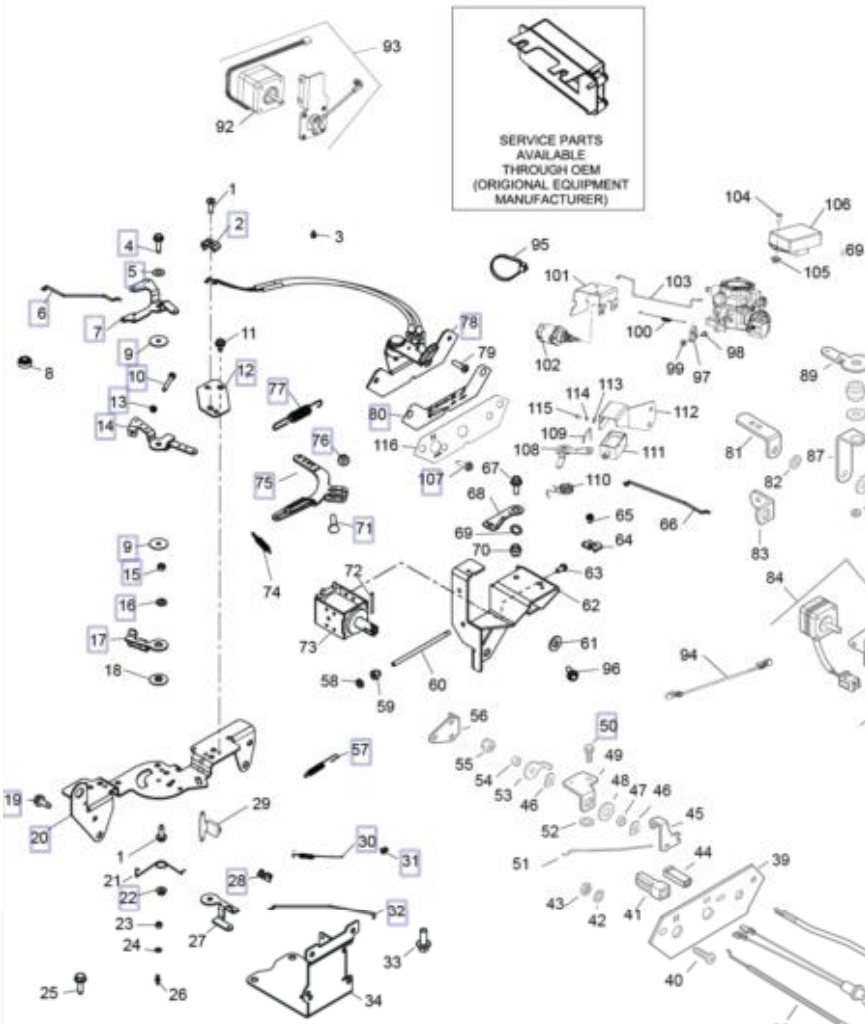
CH18,CH20,CH22,CH23,CH25,CH620,CH640,CH670,CH680,CH730,CH740,CH750



Ref #	Part #	Description	Qty
4	<a href="#">24 153 32-S</a>	O-RING	1
5	<a href="#">24 227 02-S</a>	CAP ASSY, OIL FILL (YELLOW...	1
6	<a href="#">M-651030-S</a>	SCREW, FLG M6X1.0X30	8
8	<a href="#">25 294 09-S</a>	KIT, STRAIGHT FITTING	1
9	<a href="#">25 294 11-S</a>	KIT, 90 DEG. FITTING	1
10	<a href="#">24 559 10-S</a>	KIT, VALVE COVER-FUEL P...	1
11	<a href="#">24 153 30-S</a>	O-RING (YELLOW), VALVE C...	2
14	<a href="#">M-640034-S</a>	SCREW, FLG M6X1.0X34	4
17	<a href="#">24 016 01-S</a>	VALVE, EXHAUST (STD) - U...	2
17	<a href="#">24 016 02-S</a>	VALVE, EXHAUST (.25)	2
18	<a href="#">24 841 02-S</a>	KIT, GSKT CYL HD (C22-23 6...	2
19	<a href="#">24 318 144-S</a>	HEAD ASSEMBLY, CYLINDE...	1
20	<a href="#">25 032 14-S</a>	SEAL, VALVE BAND	2
21	<a href="#">24 089 02-S</a>	SPRING, VALVE	4
22	<a href="#">12 755 03-S</a>	KIT, RETAINER	4
23	<a href="#">24 755 141-S</a>	KIT, VALVE COVER-PLAIN	1
24	<a href="#">25 173 28-S</a>	CAP, VALVE SPRING	4
25	<a href="#">235011-S</a>	RETAINER, SPRING	4
26	<a href="#">25 086 396-S</a>	SCREW, THREAD FORMING	4
28	<a href="#">24 326 89-S</a>	HOSE, BREATHER	1
31	<a href="#">24 041 67-S</a>	GASKET, BREATHER	1
32	<a href="#">24 017 01-S</a>	VALVE, INTAKE (STD)	2
32	<a href="#">24 017 02-S</a>	VALVE, INTAKE (.25)	2
33	<a href="#">M-545010-S</a>	SCREW, FLG THD FRM M5X....	1
34	<a href="#">24 402 03-S</a>	REED, BREATHER	1
35	<a href="#">24 033 01-S</a>	KIT, BREATHER ASSEMBLY	1
36	<a href="#">24 050 11-S</a>	FILTER, BREATHER	1
37	<a href="#">66 018 04-S</a>	RETAINER, REED	1
38	<a href="#">25 086 395-S</a>	SCREW, THREAD FORMING	1
39	<a href="#">25 445 03-S</a>	STRAP, LIFT	1
40	<a href="#">25 351 10-S</a>	LIFTER, VALVE HYDRAULIC ...	4
41	<a href="#">24 411 05-S</a>	ROD, PUSH	4
43	<a href="#">62 086 08-S</a>	SCREW, FLG M10X1.5X90	8
47	<a href="#">24 318 150-S</a>	HEAD ASSEMBLY, CYLINDE...	1
48	<a href="#">25 186 01-S</a>	ARM, ROCKER	4
49	<a href="#">24 599 02-S</a>	PIVOT, ROCKER ARM	4
	<a href="#">24 755 147-S</a>	KIT, CYLINDER HEAD HARD... NOT ILLUSTRATED (SERVIC...	1
	<a href="#">24 755 66-S</a>	KIT, VALVE TRAIN NOT ILLUSTRATED	1
	<a href="#">25 237 37-S</a>	CLAMP SPRING HOSE NOT ILLUSTRATED	1

**ENGINE CONTROLS GROUP**

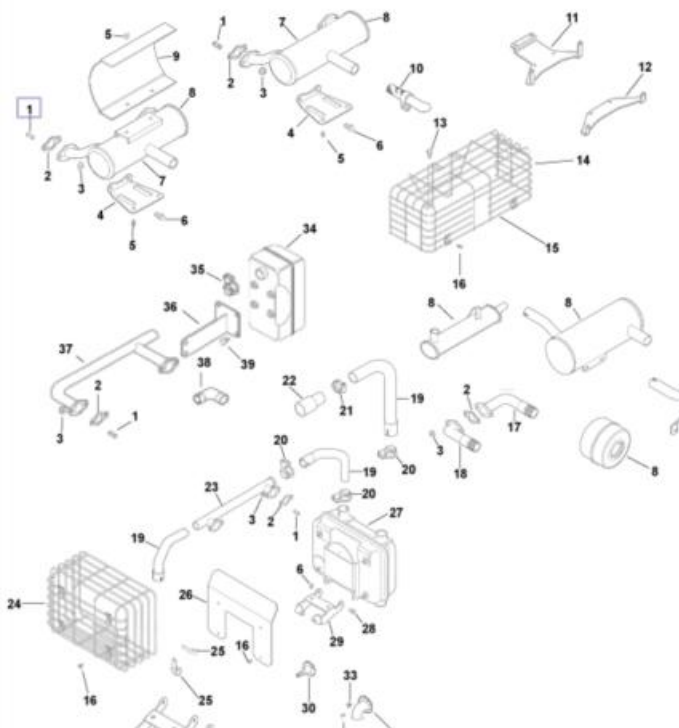
CH18,CH20,CH22,CH23,CH25,CH620,CH640,CH670,CH680,CH730,CH740,CH750



Ref #	Part #	Description	Qty
2	12 237 01-S	CLAMP, CABLE	1
4	25 086 399-S	SCREW, THREAD FORMING ...	1
5	41 468 03-S	WASHER, SPRING 1/4"	1
6	24 079 21-S	LINKAGE, CHOKE	1
7	24 090 05-S	LEVER, CHOKE	1
9	24 488 01-S	WASHER, FLAT 5.5 MM	3
10	M-401030-S	SCREW, CAP M4X.7X30	1
12	24 126 99-S	BRACKET, CABLE SUPPORT	1
13	M-446030-S	NUT, M4X0.7	1
14	24 090 13-S	LEVER, THROTTLE CONTROL	1
15	M-541050-S	NUT, FLG M5X.8	1
16	X-20-1-S	WASHER, SPRING LOCK 1/4"	1
17	24 090 65-S	LEVER, THROTTLE ACTUAT...	1
19	25 086 397-S	SCREW, THREAD FORMING	4
20	24 126 176-S	BRACKET, CONTROL	1
22	M-547050-S	NUT, LOCK M5X.8	1
28	25 158 11-S	BUSHING, THROTTLE LINKA...	1
30	24 089 01-S	SPRING, LINKAGE	1
31	25 158 08-S	BUSHING, LINKAGE RETAINI...	1
32	24 079 01-S	LINKAGE, THROTTLE	1
50	25 086 400-S	SCREW, THREAD FORMING	2
57	24 089 51-S	SPRING, THROTTLE LIMITER	1
71	24 211 03-S	BOLT, RD HD SQ NECK M6X...	1
75	24 090 69-S	LEVER, GOVERNOR ASSEM...	1
76	M-641080-S	NUT, FLG M6X1.0	2
77	24 089 45-S	SPRING, GOVERNOR (BLUE)	1
78	24 225 08-S	CABLE, CONTROL ASSEMBLY	1
80	24 113 92-S	DECAL, CONTROL PANEL	1
107	25 086 423-S	SCREW, HEX WASHER HI-LO	2
	25 086 405-S	SCREW, THREAD FORMING NOT ILLUSTRATED	1

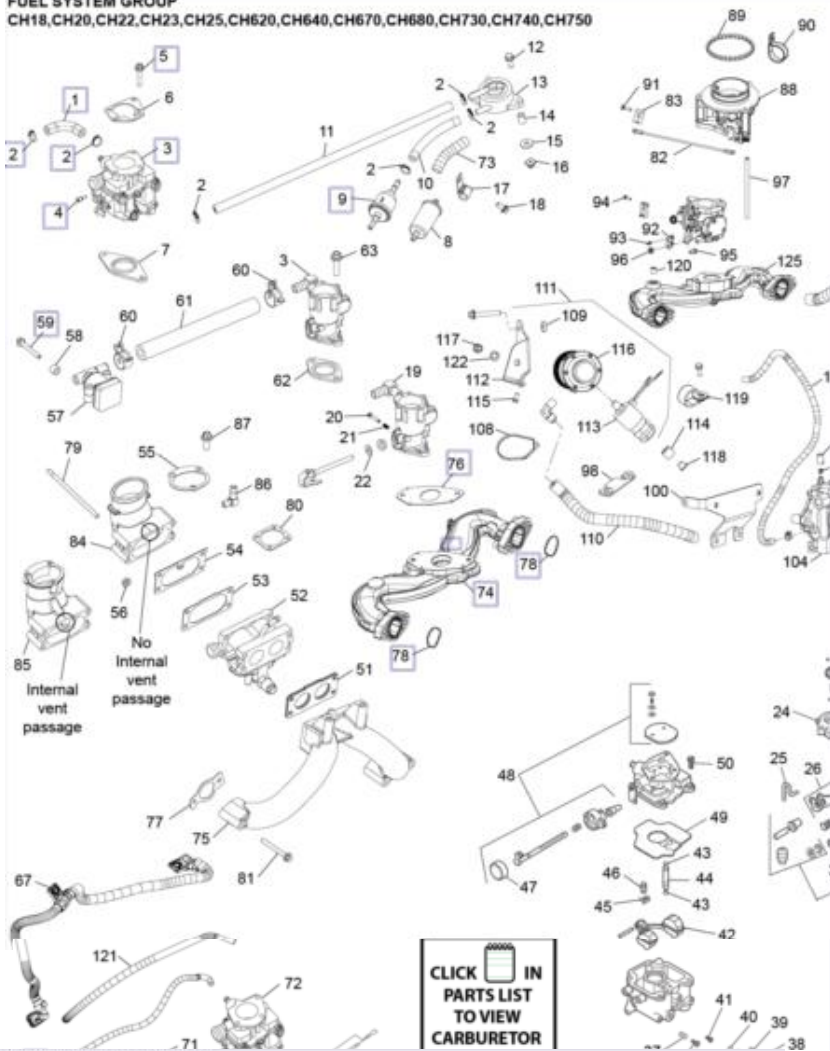
**EXHAUST**

CH18, CH20, CH22, CH25, CH620, CH640, CH670, CH680, CH730, CH740, CH750



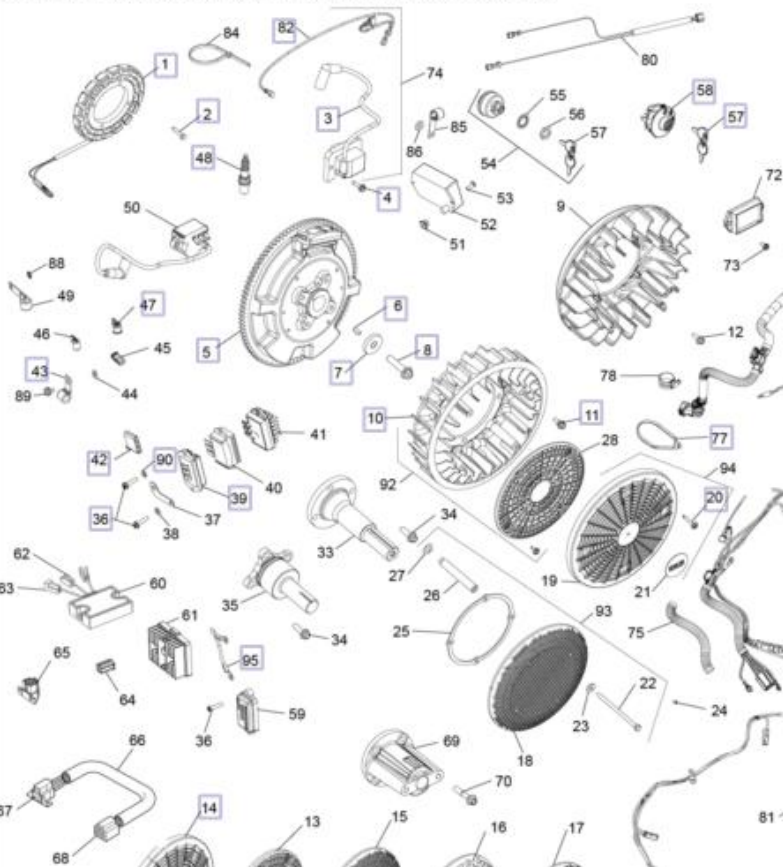
Ref #	Part #	Description	Qty
1	25 072 24-S	STUD	4

**FUEL SYSTEM GROUP**  
 CH18,CH20,CH22,CH23,CH25,CH620,CH640,CH670,CH680,CH730,CH740,CH750



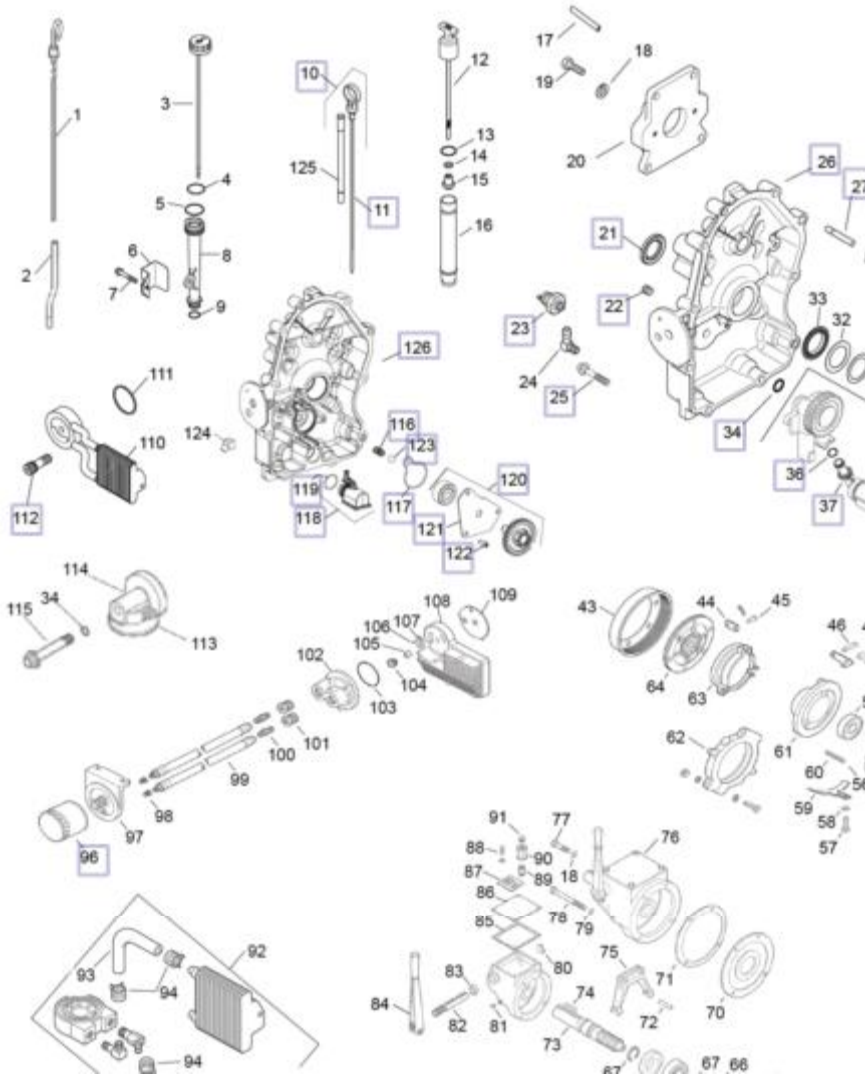
Ref #	Part #	Description	Qty
1	<a href="#">25 111 81-S</a>	HOSE, FUEL LOW PERMEAT...	1
2	<a href="#">25 237 14-S</a>	CLAMP, HOSE (KM)-USE 25 ...	3
3	<a href="#">24 853 59-S</a>	KIT, CARBURETOR W/GASK...	1
4	<a href="#">24 086 05-S</a>	SCREW, THROTTLE STOP	1
5	<a href="#">25 086 124-S</a>	SCREW, FLG M6X1.0X25	2
9	<a href="#">24 050 13-S</a>	FILTER, FUEL	1
59	<a href="#">M-639045-S</a>	SCREW, FLG M6X1.0X45	4
64	<a href="#">25 155 51-S</a>	CONNECTOR, EVAPORATIVE	1
65	<a href="#">25 173 33-S</a>	CAP, MASKING	1
66	<a href="#">25 326 08-S</a>	HOSE, EVAPORATIVE 20"	1
68	<a href="#">24 518 24-S</a>	LEAD, GROUND	1
69	<a href="#">X-22-11-S</a>	WASHER, INT TOOTH LOCK ...	1
74	<a href="#">24 164 93-S</a>	KIT, INTAKE MANIFOLD	1
76	<a href="#">24 041 53-S</a>	GASKET, CARBURETOR	1
78	<a href="#">24 153 27-S</a>	O-RING, INTAKE PORT	2

**IGNITION/CHARGING GROUP**  
 CH18,CH20,CH22,CH23,CH25,CH620,CH640,CH670,CH680,CH730,CH740,CH750



Ref #	Part #	Description	Qty
1	<a href="#">237878-S</a>	KIT, 15 / 20 AMP STATOR	1
2	<a href="#">25 086 402-S</a>	SCREW, THREAD FORMING	2
3	<a href="#">24 584 45-S</a>	KIT, MODULE IGNTN (CDI FL...	2
4	<a href="#">25 086 472-S</a>	SCREW, THREAD FORMING	4
5	<a href="#">24 025 55-S</a>	FLYWHEEL	1
6	<a href="#">X-42-15-S</a>	KEY, 3/16" X 5/8"	1
7	<a href="#">12 488 03-S</a>	WASHER, FLAT 13/32"	1
8	<a href="#">12 086 14-S</a>	SCREW, FLG M10X1.5X45 - (...	1
10	<a href="#">24 157 11-S</a>	FAN USE 24 755 253-S	1
11	<a href="#">25 086 47-S</a>	BOLT, SHOULDER	4
14	<a href="#">24 162 44-S</a>	SCREEN, GRASS	1
20	<a href="#">25 086 117-S</a>	SCREW, FLG SEMS M4X.7X25	4
36	<a href="#">25 086 157-S</a>	SCREW, HEX FLANGE HI-LO	2
39	<a href="#">41 403 10-S</a>	REGULATOR/RECTIFIER	1
42	<a href="#">25 155 41-S</a>	CONNECTOR	1
43	<a href="#">235173-S</a>	CLIP, CABLE	1
47	<a href="#">210281-S</a>	CLIP	1
48	<a href="#">12 132 02-S</a>	PLUG, SPARK (STD)	2
57	<a href="#">48 340 01-S</a>	KEY, SET OF 2	1
58	<a href="#">25 099 30-S</a>	KIT, KEY SWITCH (SNAP-IN)	1
76	<a href="#">24 176 163-S</a>	HARNESS, WIRING ASSEMB...	1
77	<a href="#">25 454 07-S</a>	TIE	2
82	<a href="#">24 176 41-S</a>	LEAD, DUPLEX	1
83	<a href="#">24 518 09-S</a>	LEAD, OIL SENTRY	1
87	<a href="#">25 518 34-S</a>	LEAD, 20/25 AMP B+	1
90	<a href="#">25 488 30-S</a>	WASHER, LOCK	1
95	<a href="#">24 518 12-S</a>	LEAD	1
	<a href="#">54 755 15-S</a>	KIT, GRASS SCREEN NOT ILLUSTRATED	1

LUBRICATION GROUP  
 CH18,CH20,CH22,CH23,CH25,CH620,CH640,CH670,CH680,CH730,CH740,CH750



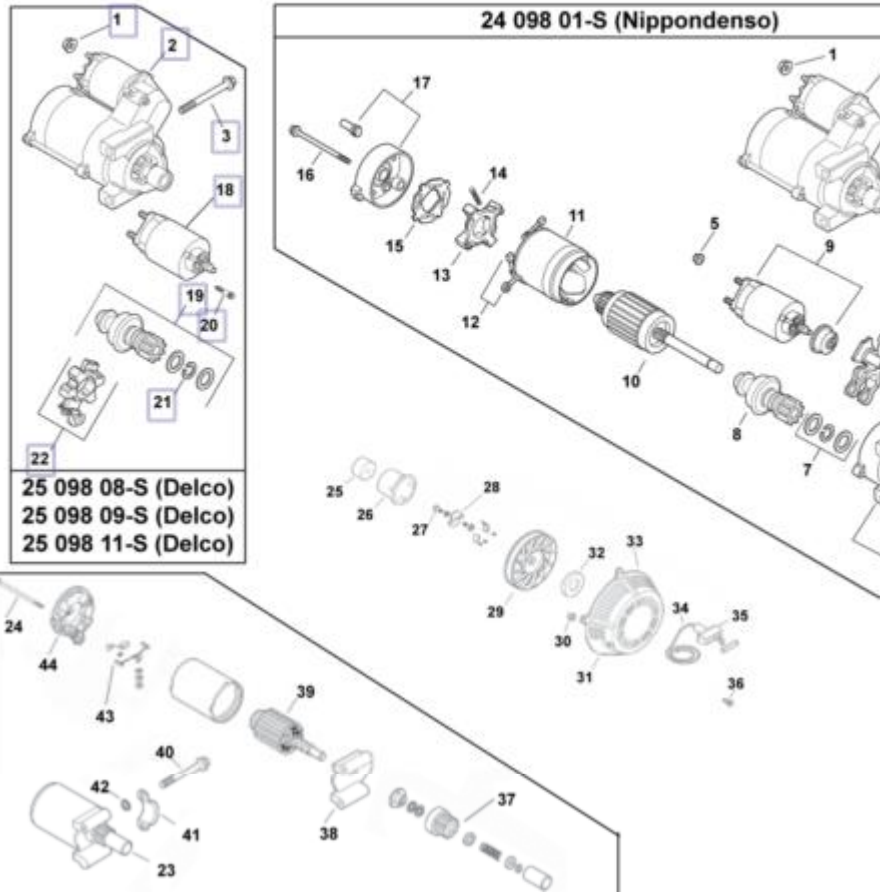
Ref #	Part #	Description	Qty
10	<a href="#">24 755 121-S</a>	KIT, DIPSTICK/DIPSTICK TU...	1
11	<a href="#">24 038 10-S</a>	DIPSTICK	1
21	<a href="#">52 032 08-S</a>	SEAL, OIL (KM)-USE 25 032 ...	1
22	<a href="#">25 139 60-S</a>	PLUG,PIPE 1/8 NPTF HEX C...	1
23	<a href="#">25 099 27-S</a>	SWITCH, OIL PRESSURE	1
25	<a href="#">24 086 17-S</a>	SCREW, HEX FLANGE	9
25	<a href="#">25 086 17-S</a>	SCREW - DISCONTINUED	1
28	<a href="#">24 009 85-S</a>	CLOSURE PLATE ASSEMBL...	1
27	<a href="#">12 144 02-S</a>	SHAFT	1
28	<a href="#">24 448 02-S</a>	TAB, LOCKING	1
29	<a href="#">24 043 12-S</a>	KIT, GOVERNOR GEAR W/PIN	1
30	<a href="#">12 380 01-S</a>	PIN	1
34	<a href="#">24 153 08-S</a>	O-RING	1
35	<a href="#">24 393 37-S</a>	OIL PUMP ASSY KIT-USE 24 ... (Before S/N 4327400011)	1
36	<a href="#">24 153 01-S</a>	O-RING, OIL PICK-UP (Before S/N 4327400011)	1
37	<a href="#">24 381 04-S</a>	PICK-UP, OIL (CH) (Before S/N 4327400011)	1
38	<a href="#">M-631005-S</a>	WASHER (Before S/N 4327400011)	2
39	<a href="#">M-645025-S</a>	SCREW (Before S/N 4327400011)	2
96	<a href="#">12 050 01-S</a>	FILTER, OIL	1
112	<a href="#">24 136 01-S</a>	NIPPLE, OIL FILTER	1
116	<a href="#">24 089 74-S</a>	SPRING, COMPRESSION (After S/N 4327400001)	1
117	<a href="#">24 153 33-S</a>	SEAL, OIL PUMP COVER (After S/N 4327400001)	1
118	<a href="#">24 381 13-S</a>	PICK-UP ASSEMBLY, OIL (After S/N 4327400001)	1
119	<a href="#">24 153 34-S</a>	O-RING, OIL PICK-UP (After S/N 4327400001)	1
120	<a href="#">24 393 70-S</a>	PUMP ASSEMBLY, OIL (After S/N 4327400001)	1
121	<a href="#">24 086 151-S</a>	COVER, OIL PUMP (After S/N 4327400001)	1
122	<a href="#">25 086 414-S</a>	SCREW, BUTTON HEAD (After S/N 4327400001)	3
123	<a href="#">25 194 03-S</a>	PRESSURE RELIEF BALL (After S/N 4327400001)	1
128	<a href="#">24 009 215-S</a>	CLOSURE PLATE ASSEMBL...	1

**STARTING GROUP**

CH18,CH20,CH22,CH23,CH25,CH620,CH640,CH670,CH680,CH730,CH740,CH750

Service starter components according to the part number printed on the starter. Starter components are NOT interchangeable.

Ref #	Part #	Description	Qty
1	<a href="#">M-841080-S</a>	NUT, FLG M8X1.25	1
2	<a href="#">25 098 11-S</a>	ELECTRIC STARTER - SOLE...	1
3	<a href="#">M-851080-S</a>	SCREW, FLG M8X1.25X80	2
18	<a href="#">25 435 06-S</a>	KIT, SOLENOID	1
19	<a href="#">25 755 33-S</a>	KIT, STARTER PINION	1
20	<a href="#">25 086 113-S</a>	SCREW, EXTERNAL TORX H...	3
21	<a href="#">25 141 05-S</a>	RING, RETAINING	1
22	<a href="#">25 221 01-S</a>	KIT, BRUSH HOLDER	1



**KOHLER ENGINES**

KOHLER DE MÉXICO S.A. DE C.V.  
NORTE 45 No. 772 INDUSTRIAL VALLEJO  
C.P. 02300 MÉXICO, D.F.  
Tel.(55) 36 89 13 00 y 55 87 07 11  
Fax.(55) 53 68 20 87 y 53 68 46 75

Elaborado por: DMA/Soporte Técnico