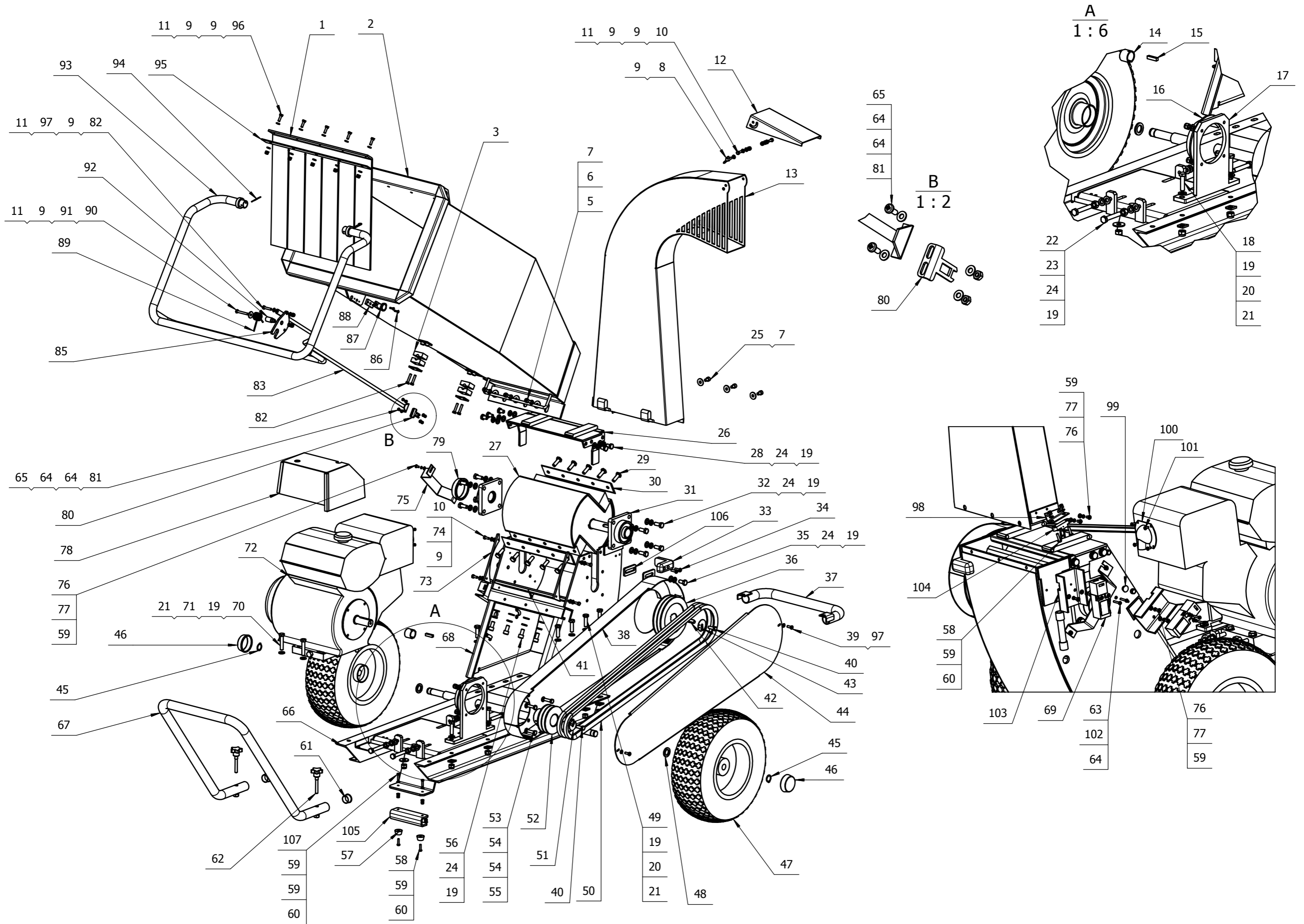


hakselaar - broyeur woodchipper - häcksler GTS1300

From serial number: GTS1300LV4SR15010RR



www.gtmprofessional.com



PARTNR.	ARTICLE NUMBER	PART NAME	QTY
1	MZSGTSM053004000	rubber curtain hopper	1
2	MZSGTSM030400000	hopper	1
3	MZSGTSS220001000	pipe clamp board	2
5	MZSGTSS01M08016JFN	inner hexagon socket cap head screw M8x16	3
6	MZSGTSS040M0815LIR	spring washer 8	3
7	MZSGTSS040M0824BIR	large washer 8	6
8	MZSGTSS01M06016WFN	wing screw M6x16	1
9	MZSGTSS040M0612PIR	washer 6	21
10	MZSGTSS01M06016NFN	hex bolt M6x16	6
11	MZSGTSS03M06000LON	lock nut M6	9
12	MZSGTSM033047000	deflector (longer)	1
13	MZSGTSM030174000	output chute	1
14	MZSGTSM013002000	bush engine shaft	1
15	MZSGTSM013003000	key for GTE / Honda	1
or	MZSGTSM013005000	key for Mitsubishi	1
16	MZSGTSM050014000	protection cover for engine shaft	1
17	MZSGTSM033028000	belt cover support	1
18	MZSGTSS01M10040NFN	hex bolt M10x40	4
19	MZSGTSS040M1020PIR	washer 10	37
20	MZSGTSS040M1000TIR	square taper washer 10	10
21	MZSGTSS03M10000LON	lock nut M10	14
22	MZSGTSS01M10060NFN	hex bolt M10x60	4
23	MZSGTSS03M10000N0N	nut M10	4
24	MZSGTSS040M1016LIR	spring washer 10	23
25	MZSGTSS01M08012JFN	hex socket cap head screw M8x12	3
26	MZSGTSM033006000	top of shredder box	1
27	MZSGTSM033020000	rotor	1
28	MZSGTSS01M10016NFN	hex bolt M10x16	5
29	MZSGTSS01M10030XFN	special bolt for blade	10
30	MZSGTSM03014300P	blade	2
31	MZSGTSS12SSFY506NN	bearing house FY506	2
32	MZSGTSS01M10025NFN	hex bolt M10x25	9
33	N/A	N/A	
34	MZSGTSS01M06020PFN	type H cross recessed small pan head screw M6x20	2
35	MZSGTSS01M08020NFN	hex bolt M8x20	1
36	MZSGTSM073146000	taper lock V-belt pulley 146 mm for rotor	1
37	MZSGTSM023003000	bumper	1
38	MZSGTSM030235000	belt cover	1
39	MZSGTSS01M06025XPN	belt box not removable bolt	2
40	MZSGTSS01M08025NFN	hex bolt M8x25	2
41	MZSGTSM033017000	counter blade	1
42	MZSGTSS14100828R	rotor key	1
43	MZSGTSM033025000	safety ring for rotor	1
44	MZSGTSM030200000	belt cover lid	1
45	MZSGTSS09O20000000	circlips 20	2
46	MZSGTSM053002000	wheel cap	2
47	MZSGTSC05W164008	wheel 16"x125mm air tire white	2
or	MZSGTSC05R164008	wheel 16"x95 mm air tire red	2
or	MZSGTSC05W380A95	wheel 16"x95 mm air tire white	2

PARTNR.	ARTICLE NUMBER	PART NAME	QTY
48	MZSGTSM013014000	wheel washer 20	2
49	MZSGTSS01M10035NFN	hex bolt M10x35	6
50	MZSGTSS07A691780LP	V-belt	2
51	MZSGTSM033026000	safety ring for engine	1
52	MZSGTSM070027000	belt pulley (GTE, Mitsubishi, Honda)	1
53	MZSGTSS01M08030NFN	hex bolt M8x30	3
54	MZSGTSS040M0816PIR	washer 8	8
55	MZSGTSS03M08000N0N	nut M8	3
56	MZSGTSS01M10020JFN	hexagon socket cap head screw M10x20	5
57	MZSGTSM050048000	rubber vibration damper	2
58	MZSGTSS01M05020PFN	type H cross recessed pan head screw M5x20	4
59	MZSGTSS040M0510PIR	washer 5	14
60	MZSGTSS03M05000LON	lock nut M5	6
61	MZSGTSS180000003	plastic cap for handle	2
62	MZSGTSS01M08050SFN	star head bolt M8x50	2
63	MZSGTSS01M04025PFN	screw M4 x 25	4
64	MZSGTSS040M0409PIR	washer 4	8
65	MZSGTSS03M04000N0N	hex nut M4	4
66	MZSGTSM023006000	frame	1
67	MZSGTSM020074000	handle	1
68	MZSGTSM030176000	shredder box (safety)	1
69	MZSGTSE02SND4191	limit switch (including keys)	2
70	MZSGTSS01M10050NFN	hex bolt M10x50	4
71	MZSGTSS040M1025BIR	large washer 10	4
72		engine	1
73	MZSGTSM033012000	rotor protector	2
74	MZSGTSS040M0615LIR	spring washer 6	4
75	MZSGTSM033040000	bearing cap bracket	1
76	MZSGTSS01M05008RFR	cross round head stainless steel bolt M5x8	8
77	MZSGTSS040M0510SIR	spring washer 5	8
78	MZSGTSM029004000	heat protector - Mitsubishi	1
or	MZSGTSB050002001	heat protector	1
79	MZSGTSM053001000	bearing cap	1
80	MZSGTSE02SSNDK2	limit switch key	1
81	MZSGTSS01M04010PFN	type H cross recessed pan head screw M4 x 10	2
82	MZSGTSS01M06030NFN	bolt M6 x 30	5
83	MZSGTSM020100000	panic bar rod	1
Tool	MZSGTSM033014000	rotor deblocking tool	1
85	MZSGTSM030208000	fork	1
86	MZSGTSS01M04016CFN	countersunk hexagon socket screw M4 x 16	2
87	MZSGTSS14INDEXP1	index plunger	1
88	MZSGTSM030207000	plunger distance plate	1
89	MZSGTSM083003000	torsion spring	1
90	MZSGTSS01M06045NFN	hex bolt M6x45	1
91	MZSGTSS040M0624BIR	large washer 6 D=30	1
92	MZSGTSM010098000	fork shaft	1
93	MZSGTSM020099000	panic bar	1
94	MZSGTSS990000003	pin	2
95	MZSGTSM053003000	steel strip 3 mm for curtain	1

PARTNR.	ARTICLE NUMBER	PART NAME	QTY
96	MZSGTSS01M06020NFN	hex bolt M6x20	5
97	MZSGTSS040M0616PIR	washer 6	3
98	MZSGTSM033045000	angle switch key connection	1
99	MZSGTSS99M120800	thread plug M12x1.5-8	1
100	MZSGTSM033019000	deflector - Mitsubishi	1
or	MZSGTSM03301500H	deflector - GTE / Honda	1
101	MZSGTSS01M04005SFT	cross recessed head tapping screw ST4.2x10	4
102	MZSGTSS040M0409SIR	spring washer 4	4
103	MZSGTSM033046000	switch protection U-profile	2
104	MZSGTSE02SSNDK3	limit switch key	1
105	MZSGTSM033032000	frame support pad	1
106	MZSGTSM033042000	belt cover pad	1
107	MZSGTSS01M05020NFN	hex bolt M5x20	2
Accessoiry	MZSGTSS01M12030NFF	rotor blocking bolt M12x1.5-30	1
option	MZSGTSM023015000	bumper support	1

GTM
PROFESSIONAL®

www.gtmprofessional.com