

DC3300

Reservdelar

Spare parts

Ersatzteile

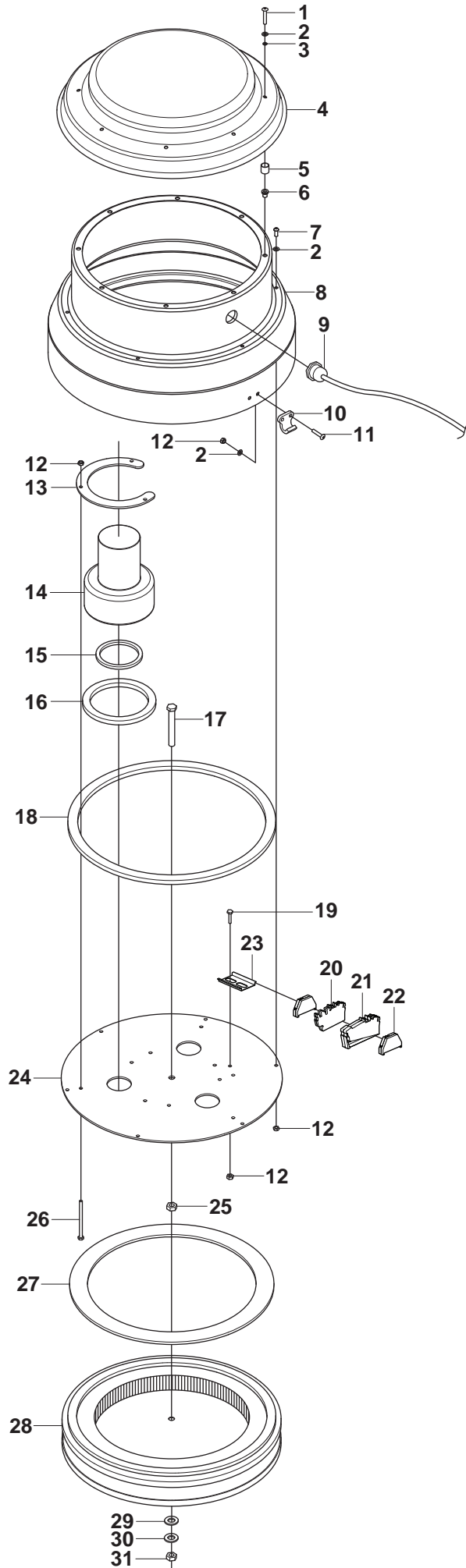
Pieces de rechange

Piezas de repuesto

Ricambi

Peças sobresselente

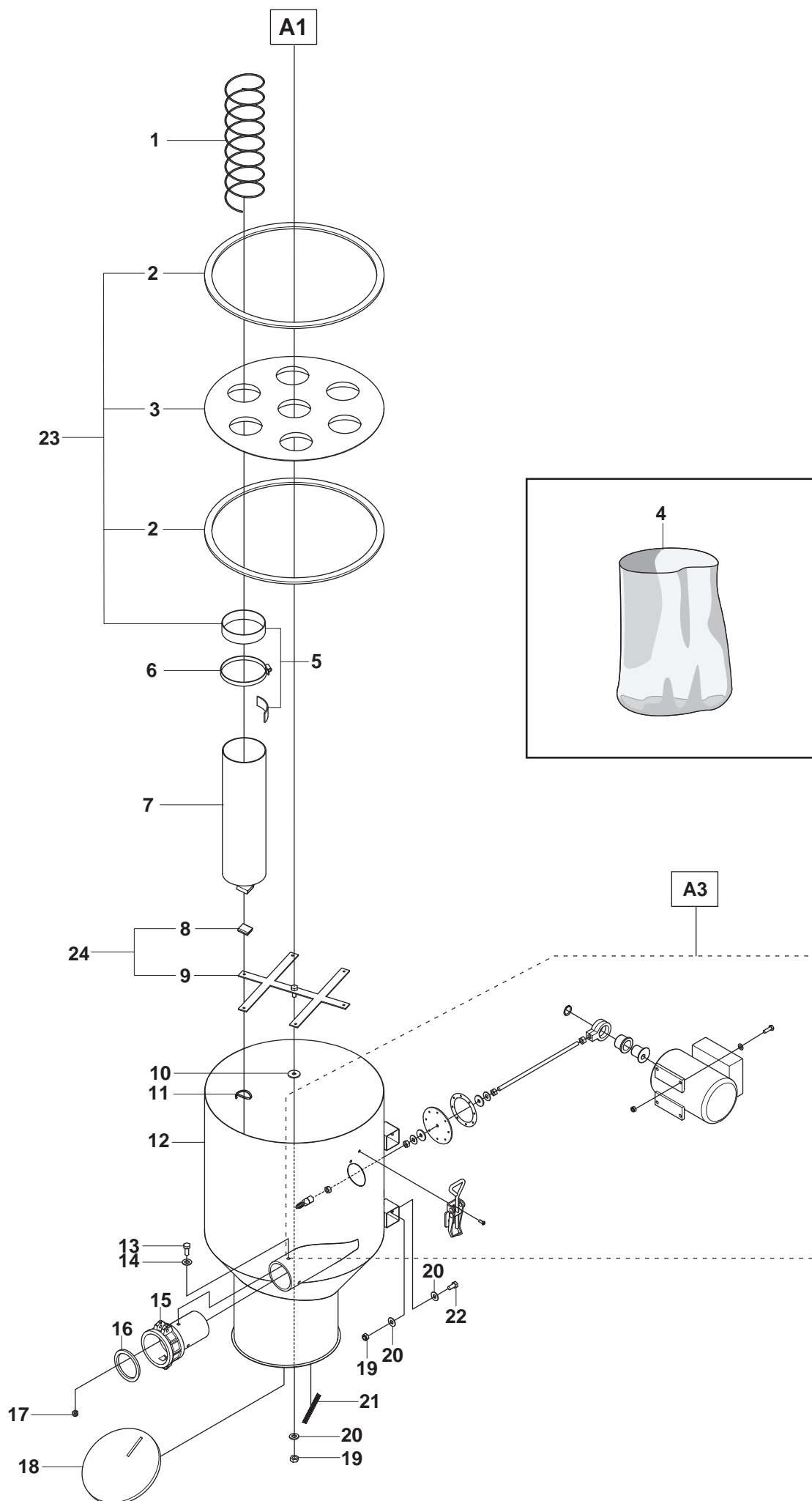
A1



A2

Position #	Article #	Quantity	Notes	Kit
1	504 75 91-01	8		
2	734 11 52-01	18		
3	740 48 06-02	8		
4	502 57 20-01	1		
5	522 74 66-01	8		
6	521 88 66-01	8		
7	541 40 51-78	6		
8	502 57 20-03	1		
9	522 66 03-01	1		
10	502 57 00-04	2		
11	504 75 90-01	4		
12	732 25 16-01	21		
13	502 57 25-01	3		
14	504 75 64-01	3		
15	502 53 40-05	3		
16	522 74 67-01	3		
17	725 25 50-71	1		
18	522 74 68-01	1		
19	725 23 66-71	2		
20	502 54 38-01	1		
21	522 74 69-01	2		
22	504 73 99-01	2		
23	522 74 70-01	1		
24	502 57 24-01	1		
25	731 23 22-01	1		
26	725 23 88-51	9		
27	522 74 71-01	1		
28a	502 57 32-01	1	DC 3300 - MICRO FILTER POLYESTER LARGE	
28b	502 57 31-01	3	DC 3300 - MICRO FILTER POLYESTER SMALL	
29	516 06 01-01	1		
30	734 11 78-01	1		
31	732 25 22-01	1		

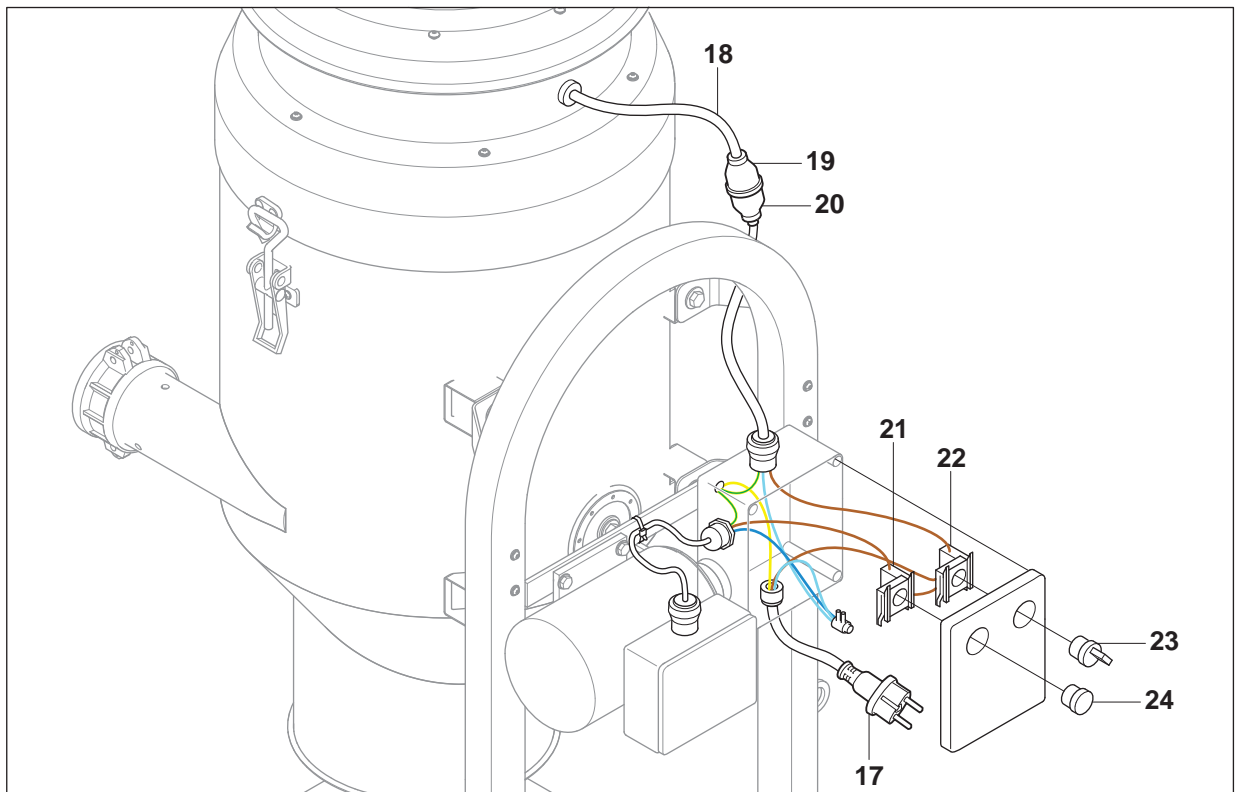
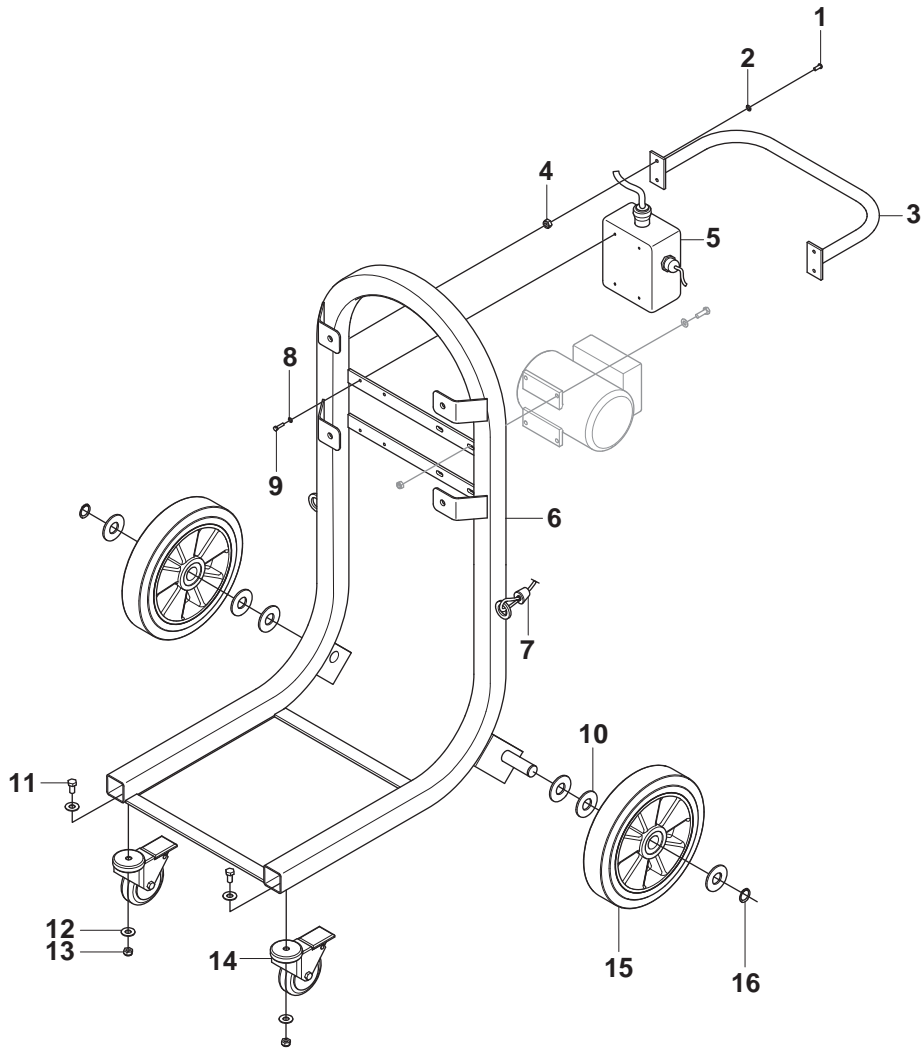
A2



Position #	Article #	Quantity	Notes	Kit
1	522 74 72-01	7		
2	522 74 73-01	2		23, 5
3	502 57 22-01	1		23, 5
4	502 57 01-01	1	200 ITEMS	
5	522 74 74-01	1	Includes 7 items	
6	522 74 75-01	7		
7	502 57 30-01	7		
8	522 74 77-01	7		24
9	502 57 22-01	1		24
10	516 06 01-01	1		
11	515 98 70-01	14		
12	502 57 21-01	1		
13	541 40 48-15	2		
14	734 11 63-01	2		
15	502 56 96-04	1		
16	502 53 40-05	1		
17	732 25 18-01	2		
18	502 56 84-05	1		
19	732 25 20-01	5		
20	734 11 72-01	9		
21	502 56 84-04	1		
22	725 24 91-71	4		
23	504 73 09-02	1		
24	504 73 35 02	1		

Position #	Article #	Quantity	Notes	Kit
1	735 31 30-00	1		
2	502 57 18-01	1		25
3	502 57 19-01	1		25
4	502 57 17-01	1		
5	725 24 53-76	4		
6	734 11 63-01	4		
7	502 57 06-01	1		
8	732 25 18-01	4		
9	728 53 27-01	1		
10	728 53 29-01	2		
11	731 23 20-01	4		
12	502 57 15-01	1		
13	734 11 72-01	2		
14	516 06 01-01	2		
15	502 57 14-01	1		
16	502 57 13-01	1		
17	502 57 00-02	2		
18	541 40 51-78	4		
19	732 25 16-01	4		
20	734 11 52-01	4		
21	502 57 16-01	1		
22	725 23 29-01	8		
23	732 25 14-01	8		
24	734 11 46-01	8		
25	504 73 06-02	1		

B



Position #	Article #	Quantity	Notes	Kit
1	522 74 78-01	4		
2	734 11 54-01	4		
3	502 57 27-01	1		
4	521 88 66-01	8		
5	522 74 79-01	1		
6	502 57 26-01	1		
7	502 57 02-01	1		
8	734 11 36-71	8		
9	725 22 99-01	4		
10	504 75 14-01	4		
11	725 25 40-71	2		
12	734 11 78-01	4		
13	732 25 22-01	2		
14	502 56 91-01	2		
15	502 54 50-01	2		
16	735 31 26-00	2		
17a	504 75 38-01	1	MALE PLUG AU 220-240V	
17b	510 22 28-02	1	MALE PLUG EU / JPN 2PIN 16AMP 220V Molded	
17c	522 78 61-01	1	MALE PLUG CAN / TWIST LOCK 220V	
18	504 75 57-01	3		
19	504 75 69-01	1		
20	504 75 68-01	1		
21	504 73 89-01	1		
22	504 73 87-01	1		
23	504 73 86-01	1		
24	504 73 88-01	1		