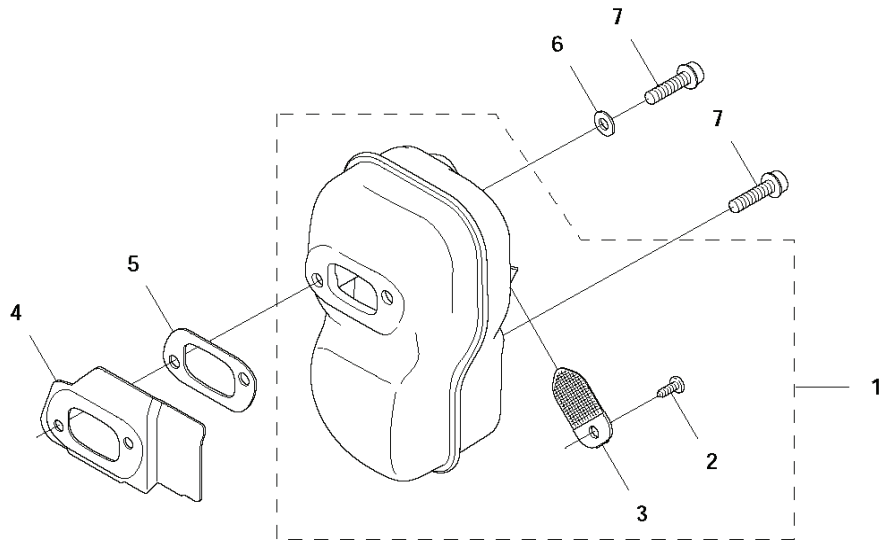


SPARE PARTS CATALOGUE
: HUSQVARNA 545RX

Spare Parts List

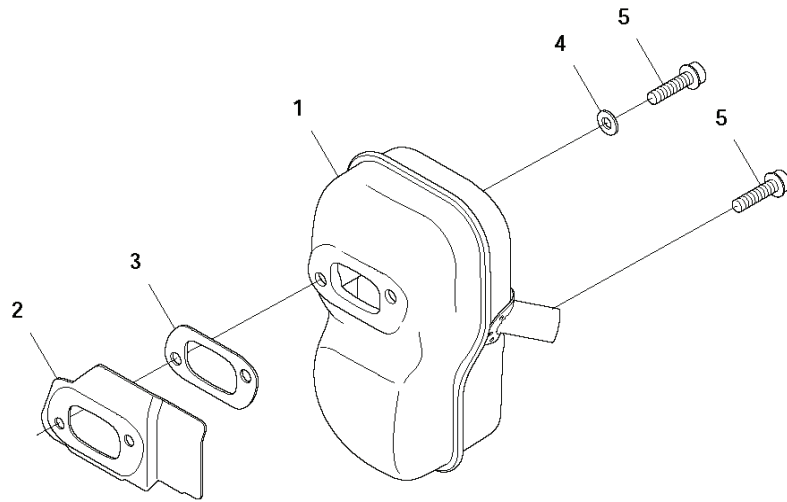
SPARE PARTS LIST

H1 545 FX, 545 FXT, 545 RX, 545 RXT, 345 FR
MUFFLER, FF



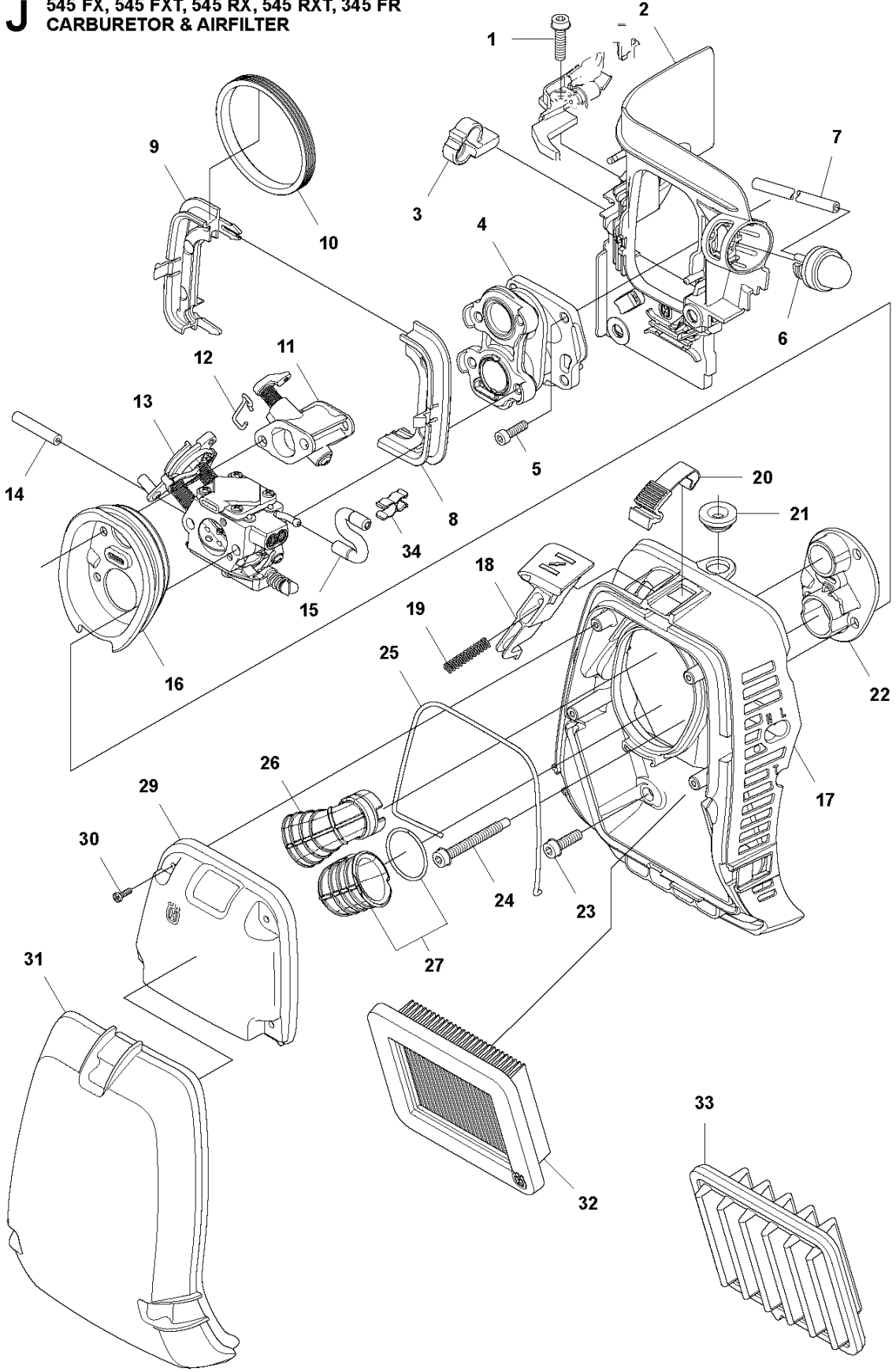
REF.	PART NO.	DESCRIPTION	REMARK	QTY.	KIT
1	574381106	MUFFLER KIT		1	
2	724128759	SCREW CRPANM		1	
3	522609501	SPARK ARRESTER SCREEN		1	
4	522938701	HEAT DEFLECTOR		1	
5	522954401	GASKET		1	
6	503230402	WASHER		1	
7	503200776	SCREW IHSCFM		3	

H2 545 FX, 545 FXT, 545 RX, 545 RXT, 345 FR
MUFFLER, PIPE



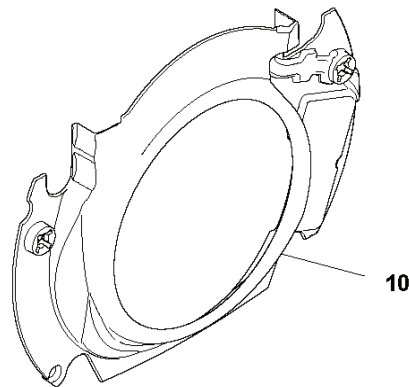
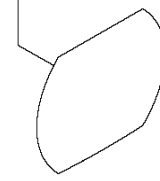
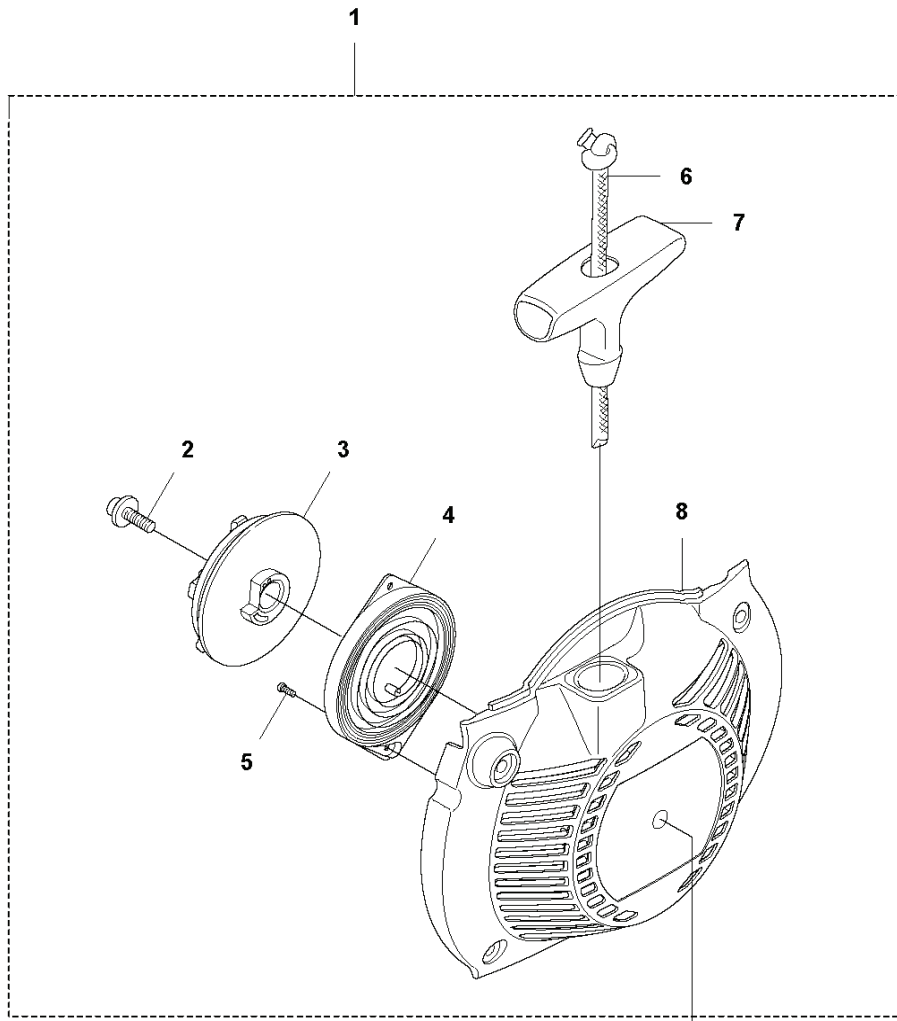
REF.	PART NO.	DESCRIPTION	REMARK	QTY.	KIT
1	574381105	MUFFLER KIT		1	
2	522938701	HEAT DEFLECTOR		1	
3	522954401	GASKET		1	
4	503230402	WASHER		1	
5	503200776	SCREW IHSCFM		3	

J 545 FX, 545 FXT, 545 RX, 545 RXT, 345 FR
CARBURETOR & AIRFILTER



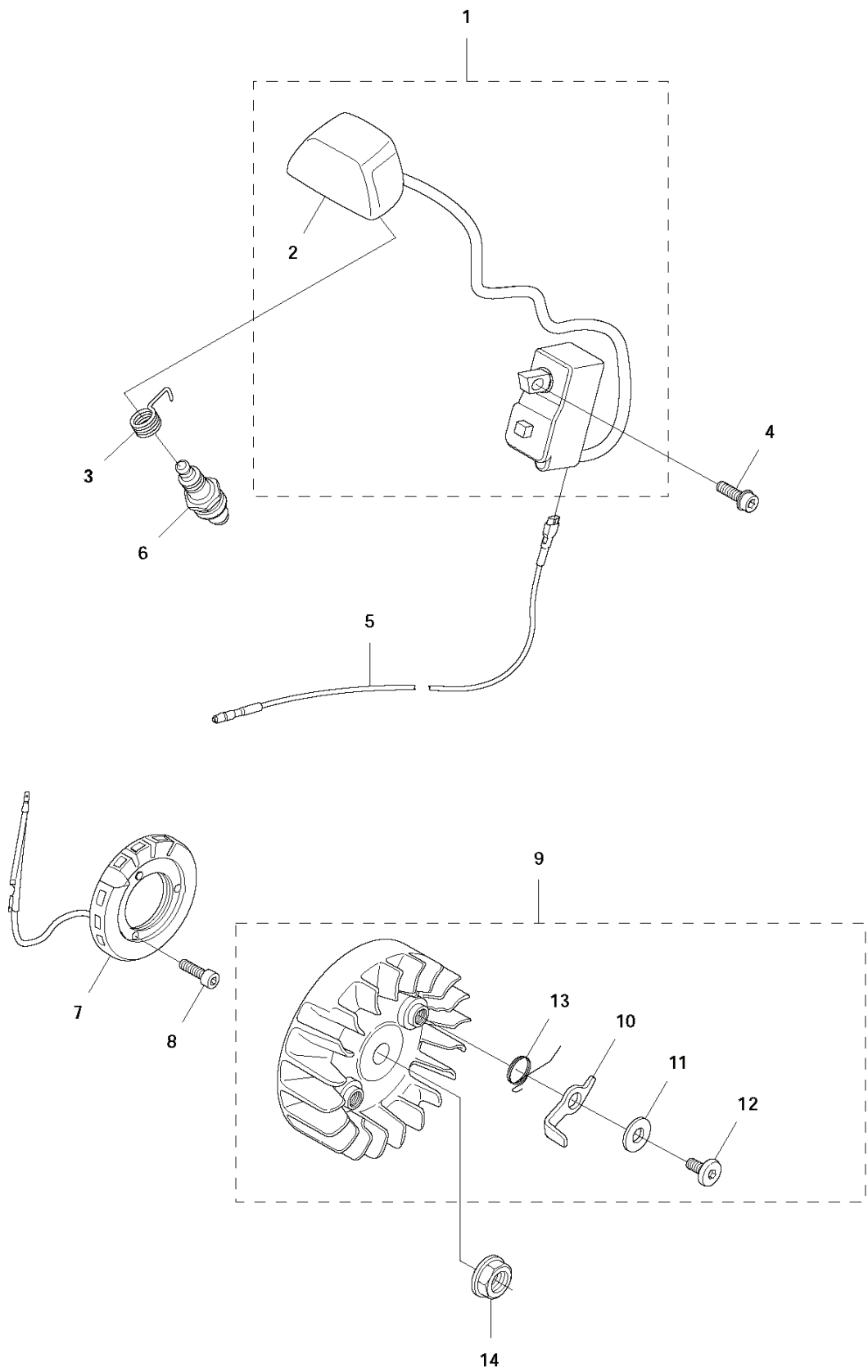
REF.	PART NO.	DESCRIPTION	REMARK	QTY.	KIT
1	503200776	SCREW IHSCFM		1	
2	525289201	INSULATION WALL		1	
3	575239501	GROMMET		1	
4	574440301	INLET PIPE		1	
5	503202516	SCREW IHSCM		4	
6	503936601	PURGE		1	
7	537042407	FUEL HOSE		1	
8	576122701	FRAME		1	
9	576123701	FRAME		1	
10	576223701	SEALING RING		1	
11	574297901	HOUSING		1	
12	522543301	LINK		1	
13	580803901	CARBURETTOR		1	
14	581756143	FUEL HOSE		1	
15	523056801	FUEL HOSE		1	
16	574851201	SEALING		1	
17	523044801	FILTER HOLDER ASSY		1	
18	522449901	CHOKE CONTROL		1	
19	524853001	SPRING		1	
20	503740102	SNAP LOCKING		3	
21	537016501	SUPPORT		1	
22	574851301	COVER PLATE		1	
23	503200774	SCREW IHSCFM		2	
24	537316001	SCREW IHSCFM		4	
25	503263204	O-RING		1	
26	586946901	INLET PIPE		1	
27	594028001	INLET PIPE ASSY		1	
29	575268401	COVER LID		1	
30	503212910	SCREW CCRPANT		4	
31	510189701	FILTER COVER		1	
32	574668003	AIR FILTER	Paper filter (Original) from 2014 -	1	
33	537410804	AIR FILTER	Mesh 25µm, Winter Forest	1	
34	580451701	CLIP		1	

K 545 FX, 545 FXT, 545 RX, 545 RXT, 345 FR
STARTER



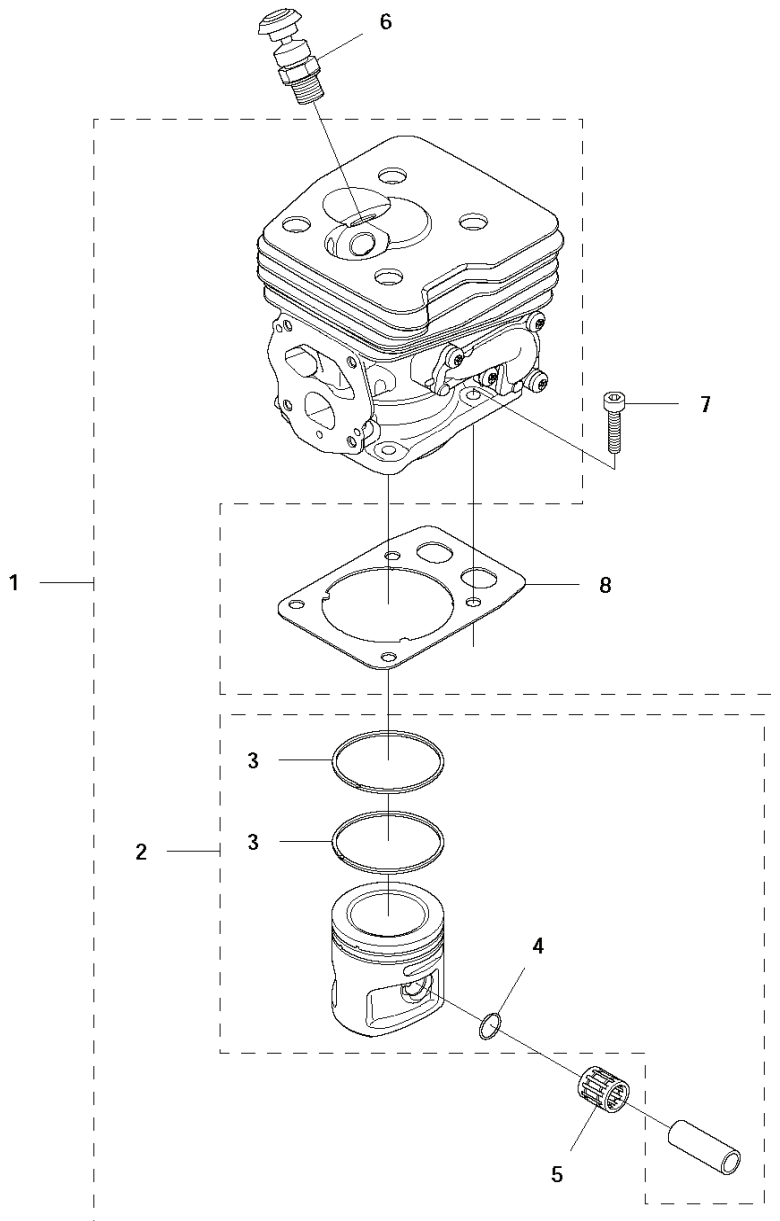
REF.	PART NO.	DESCRIPTION	REMARK	QTY.	KIT
1	573960801	STARTER		1	
2	503216916	SCREW IH SCT		1	
3	503957301	STARTER PULLEY		1	
4	502200601	SPRING CASSETTE ASSY		1	
5	503212910	SCREW CCRPANT		2	
6	505305125	STARTER ROPE		1	
7	537232501	STARTER HANDLE		1	
8	502157701	STARTER ASSY		1	
9	574477004	SCREW IHSCFMO	Captive Screw	4	
10	510205001	AIR CONDUCTOR		1	
11	576468102	LABEL		1	

L 545 FX, 545 FXT, 545 RX, 545 RXT, 345 FR
IGNITION SYSTEM



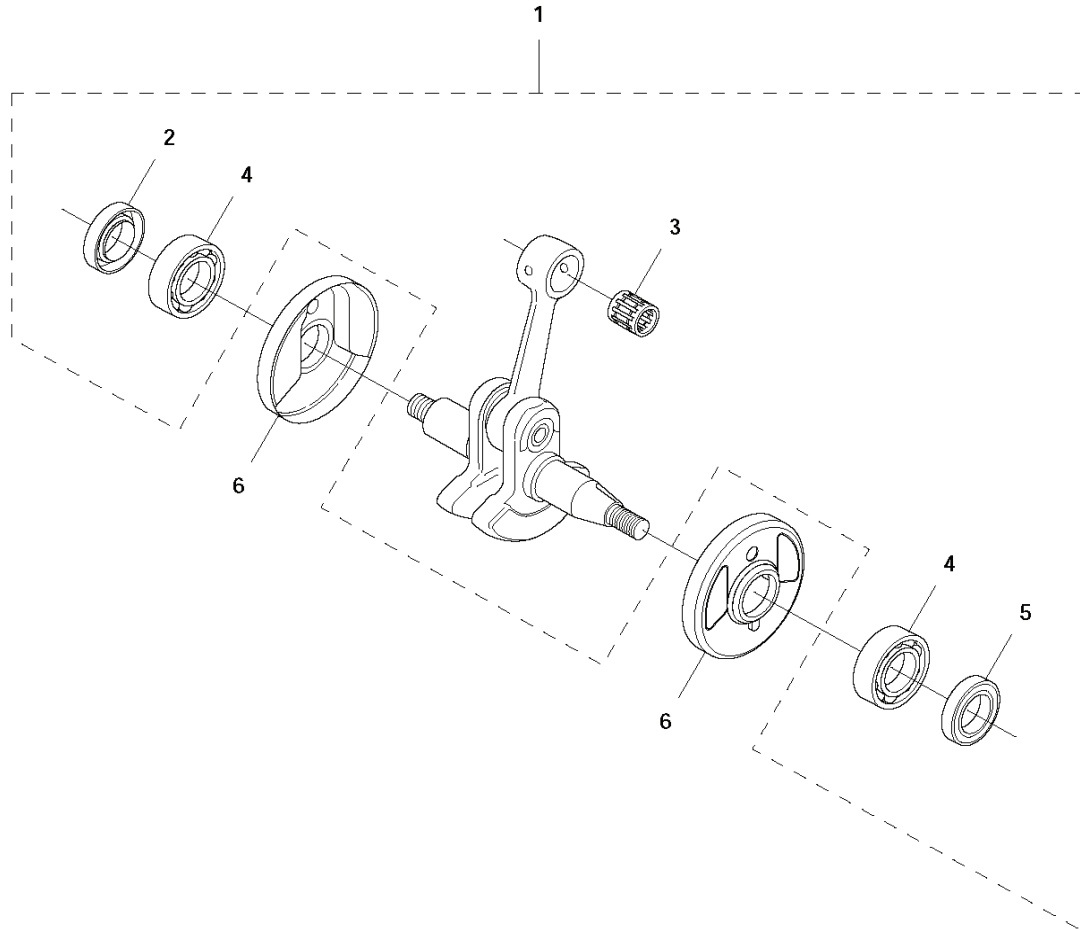
REF.	PART NO.	DESCRIPTION	REMARK	QTY.	KIT
1	585073904	IGNITION SYSTEM	FR, RX, RXT	1	
2	576889501	SPARK PLUG CAP		1	
3	537323801	CONTACT SPRING		1	
4	503200774	SCREW IHSCFM		2	
5	525858401	SHORT CIRCUIT CABLE		1	
6	574519601	SPARK PLUG	NGK CMR6H	1	
7	587059701	STATOR ASSY	FXT	1	
8	503216618	SCREW IHSCCT		2	
9	503953301	FLYWHEEL		1	
10	503812401	STARTER PAWL		2	
11	503230042	WASHER		2	
12	501819903	SCREW		2	
13	503812902	SPRING		2	
14	503220401	NUT		1	

M 545 FX, 545 FXT, 545 RX, 545 RXT, 345 FR
CYLINDER & PISTON



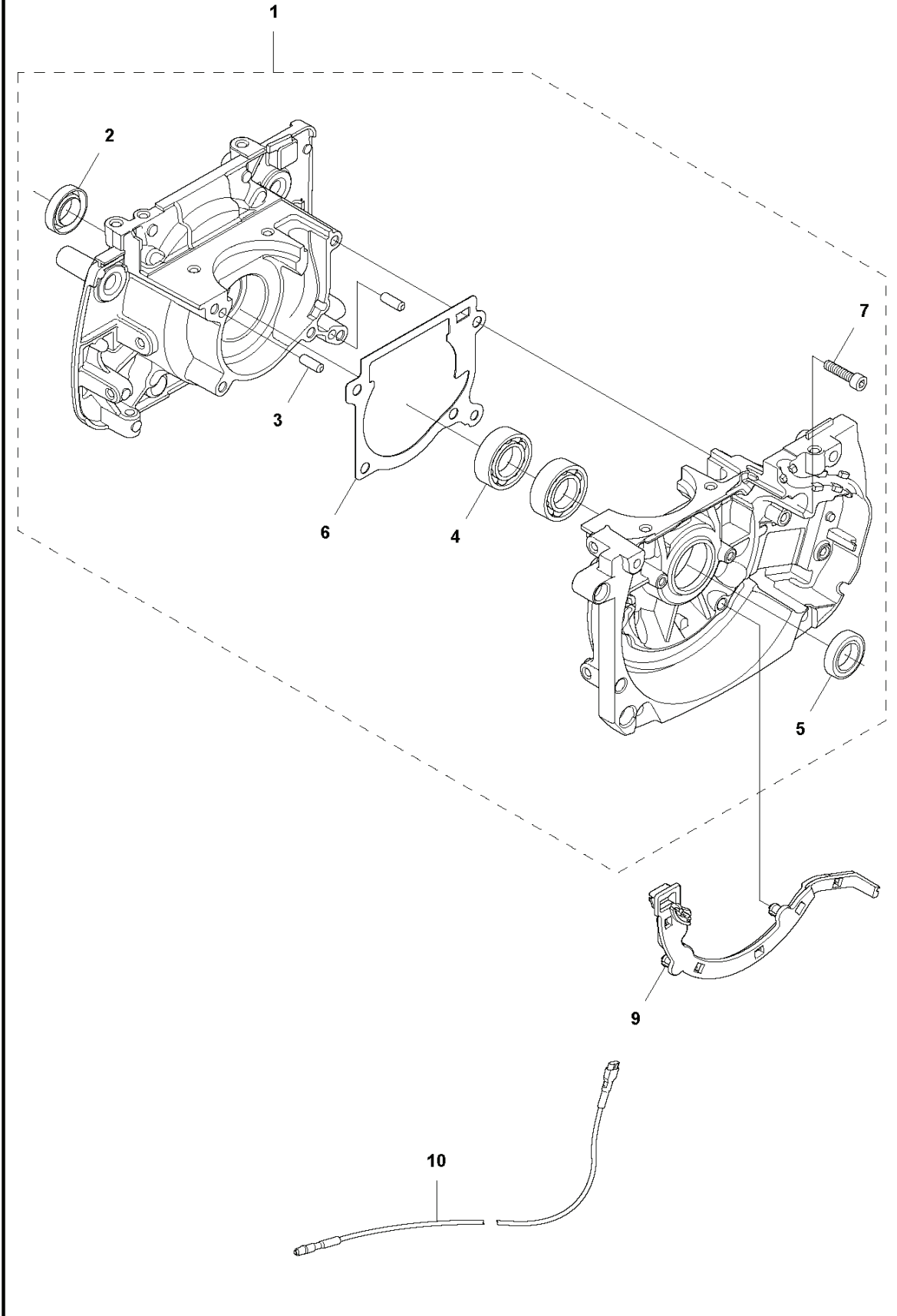
REF.	PART NO.	DESCRIPTION	REMARK	QTY.	KIT
1	577274901	CYLINDER KIT		1	
2	576282702	PISTON ASSY		1	
3	576283001	PISTON RING		2	
4	737441000	SNAP RING		2	
5	503256301	NEEDLE BEARING		1	
6	544200001	DECOMPRESSION VALVE		1	
7	725533155	SCREW IHSCM		4	
8	587153401	GASKET		1	

N 545 FX, 545 FXT, 545 RX, 545 RXT, 345 FR
CRANK SHAFT



REF.	PART NO.	DESCRIPTION	REMARK	QTY.	KIT
1	577274801	CRANKSHAFT KIT		1	
2	577324901	RADIAL SEAL		1	
3	503256301	NEEDLE BEARING		1	
4	503250801	BEARING		2	
5	505275719	SEALING RING		1	
6	537158501	CUP		2	

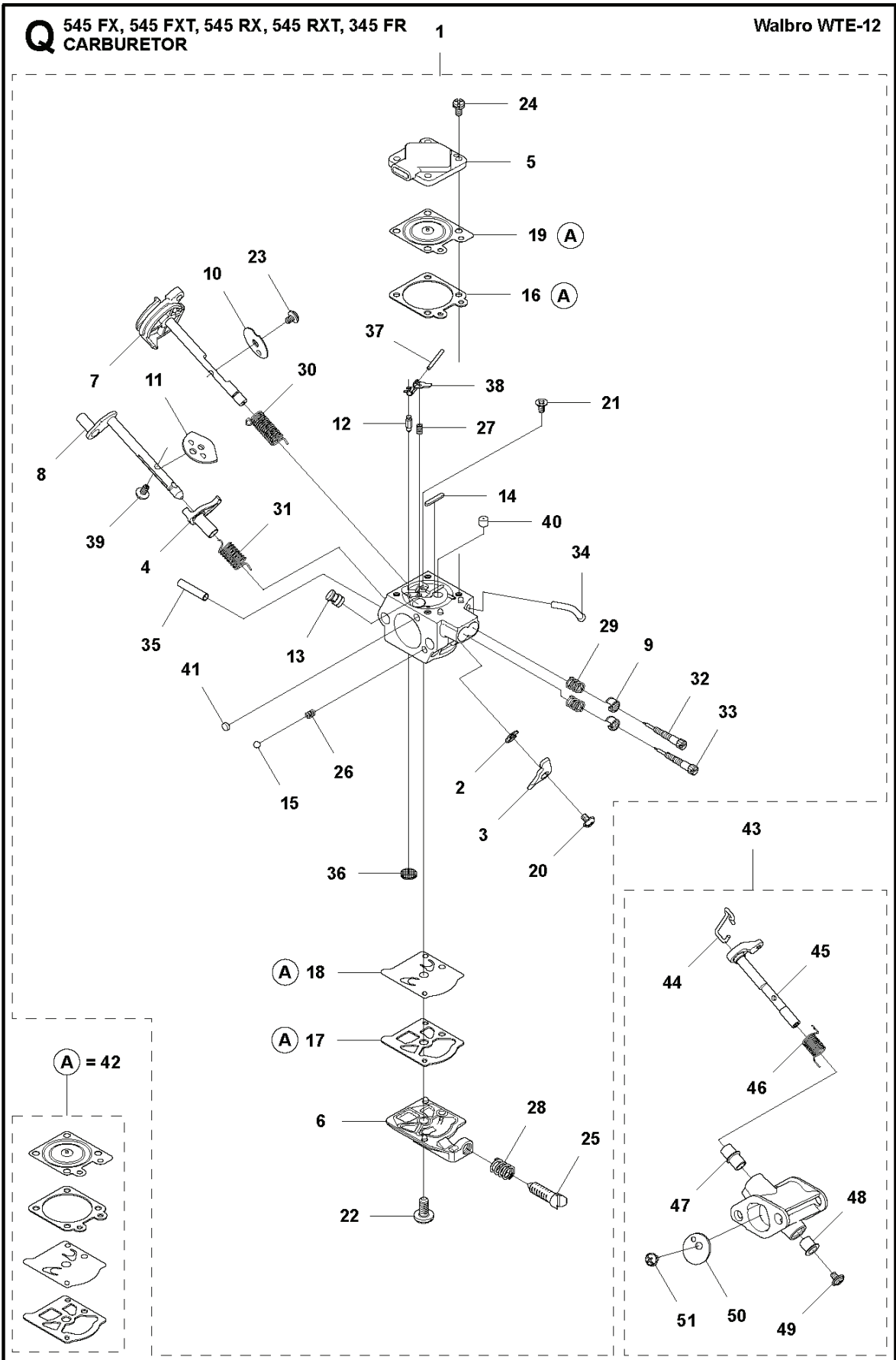
P2 545 RX, 545 RXT, 345 FR
CRANKCASE



REF.	PART NO.	DESCRIPTION	REMARK	QTY.	KIT
1	588676301	CRANKCASE ASSY		1	
2	577324901	RADIAL SEAL		1	
3	720130710	PARALLEL PIN	s/n up to - 20132699999	2	
3	593806001	GUIDE BUSHING	s/n from 20132700001 -	2	
4	503250801	BEARING		2	
5	505275719	SEALING RING		1	
6	510241101	GASKET	s/n up to - 20132699999	1	
6	584469601	GASKET	s/n 20132700001 - 20151601100	1	
6	593777501	GASKET	s/n from 20151601101 -	1	
7	503200230	SCREW IHSCFM		5	
9	510179901	CABLE HOLDER		1	
10	525858401	SHORT CIRCUIT CABLE		1	

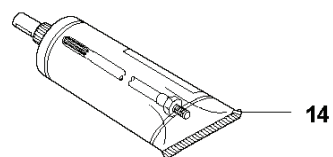
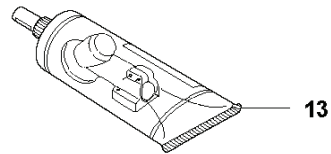
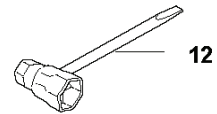
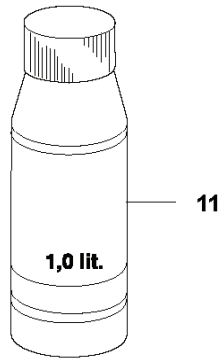
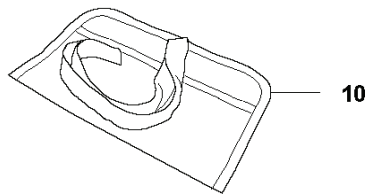
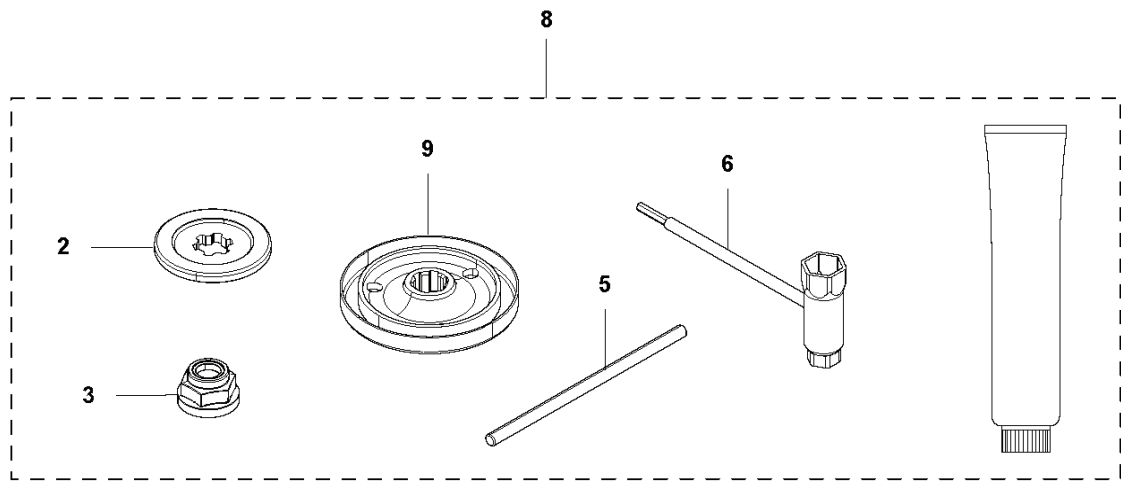
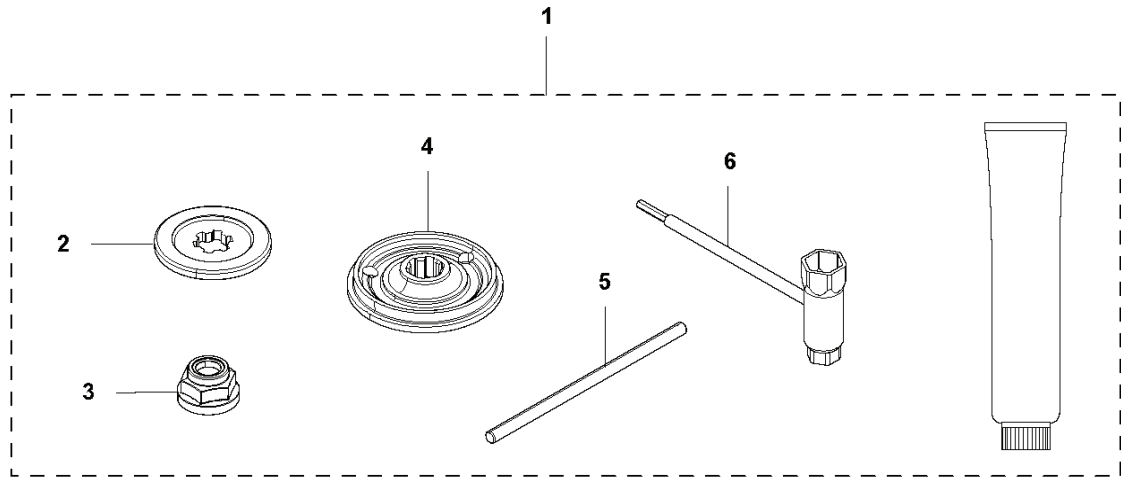
Q 545 FX, 545 FXT, 545 RX, 545 RXT, 345 FR
CARBURETOR

Walbro WTE-12



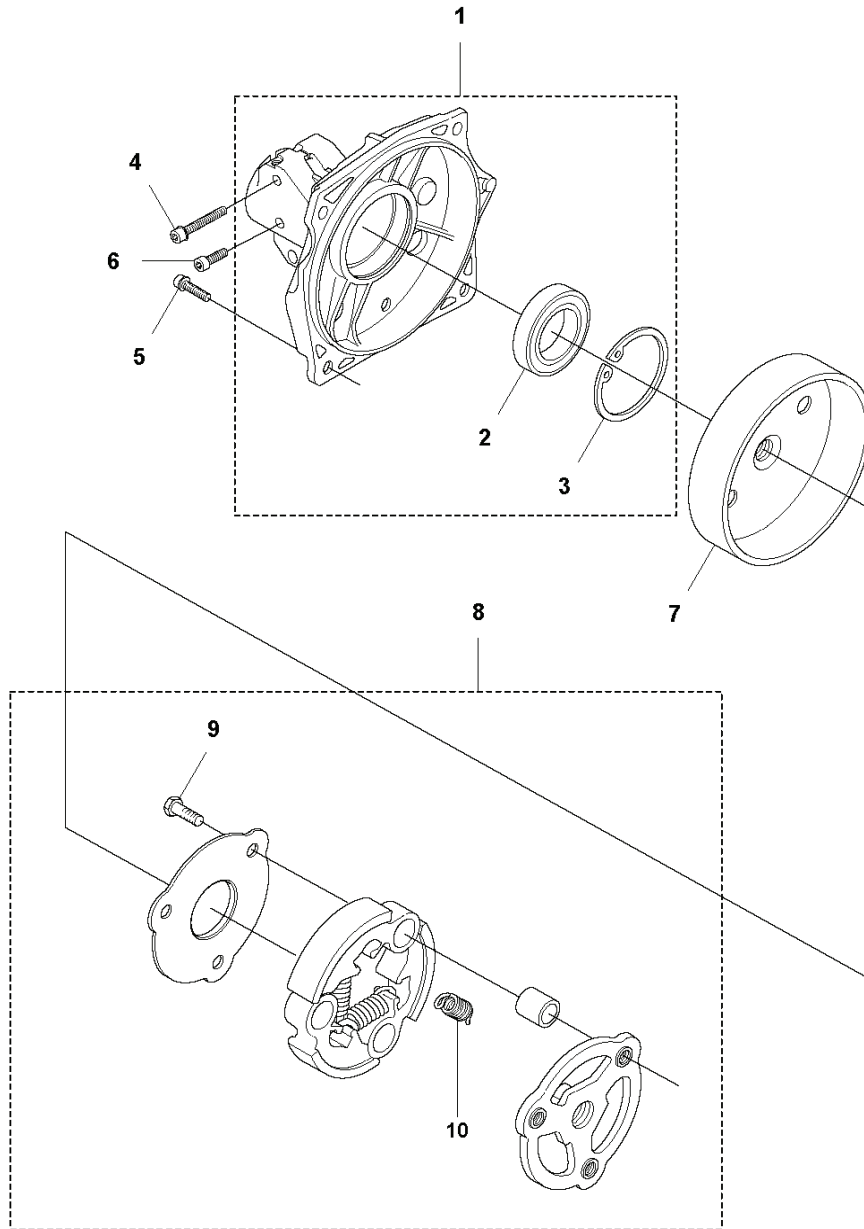
REF.	PART NO.	DESCRIPTION	REMARK	QTY.	KIT
1	574329101	CARBURETTOR	Walbro WTE 12	1	
2	505316736	RING		1	
3	575463701	LEVER		1	
4	544177701	LEVER		1	
5	574358101	COVER		1	
6	503584301	COVER		1	
7	577016701	SHAFT ASSY		1	
8	544044001	SHAFT		1	
9	544970801	LIMITER CAP		2	
10	503935101	VALVE		1	
11	537109601	VALVE		1	
12	503563401	NEEDLE VALVE		1	
13	502846801	NOZZLE ASSY		1	
14	502846901	PLUG		1	
15	501468501	BALL		1	
16	504350906	GASKET		1	
17	504130906	GASKET		1	
18	577016601	DIAPHRAGM		1	
19	576684501	DIAPHRAGM ASSY		1	
20	501468701	SCREW		1	
21	502847101	SCREW		1	
22	501466901	SCREW		1	
23	537003401	SCREW		1	
24	537003101	SCREW		4	
25	537408201	SCREW		1	
26	501468401	SPRING		1	
27	501795901	SPRING		1	
28	501667801	SPRING		1	
29	525755401	SPRING		2	
30	544177601	SPRING		1	
31	544971101	SPRING		1	
32	502847201	NEEDLE		1	
33	502847301	NEEDLE		1	
34	577016801	FITTING		1	
35	544971601	FITTING		1	
36	501666101	SCREEN		1	
37	505520125	PIN		1	
38	502847401	LEVER		1	
39	544111501	SCREW		1	
40	505426901	JET		1	
41	503574301	PLUG		1	
42	515999601	GASKET KIT		1	
43	574297901	HOUSING		1	
44	522543301	LINK		1	
45	574323901	SHAFT		1	
46	544971801	SPRING		1	
47	501021901	BUSHING		1	
48	501022001	BUSHING		1	
49	503515501	SCREW		1	
50	522543501	VALVE		1	
51	537003401	SCREW		1	

R1 545 FX, 545 FXT, 545 RX, 545 RXT, 345 FR
ACCESSORIES



REF.	PART NO.	DESCRIPTION	REMARK	QTY.	KIT
1	502216024	ACCESSORY BAG	545FX, 545FXT	1	
2	537343502	SUPPORT FLANGE		1	
3	502291101	BLADE NUT		1	
4	544197801	DRIVER		1	
5	502285901	STOP		1	
6	537362102	COMBINATION WRENCH		1	
8	502216027	ACCESSORY BAG	545RX, 545RXT, 345FR	1	
9	537351402	DRIVER		1	
10	501192201	TOOL		1	
11	531009248	FILTER OIL		1	
12	501691702	COMBINATION WRENCH		1	
13	503976401	GREASE		1	
14	503801701	GREASE		1	

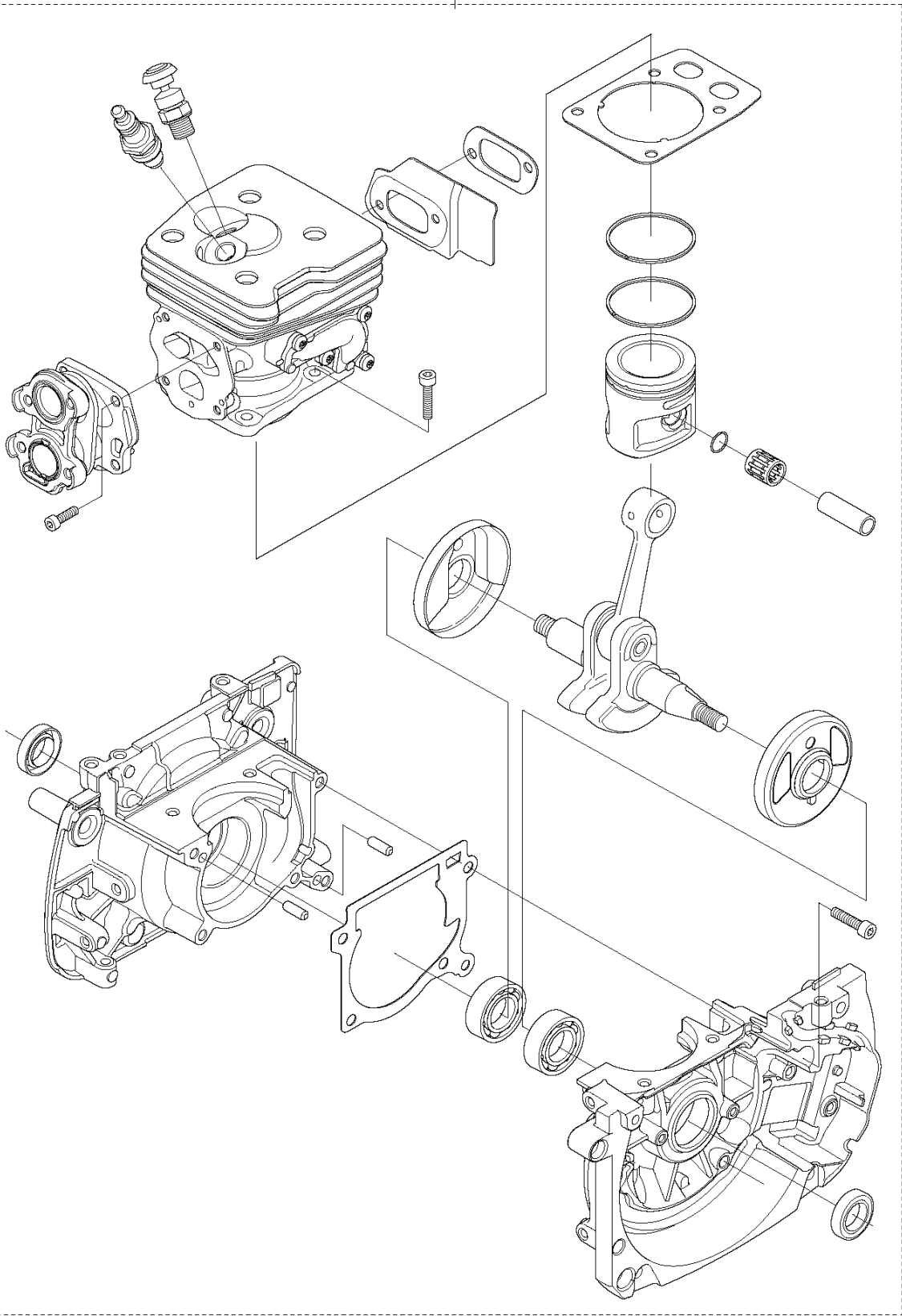
F 545 FX, 545 FXT, 545 RX, 545 RXT, 345 FR
CLUTCH



REF.	PART NO.	DESCRIPTION	REMARK	QTY.	KIT
1	503954105	CLUTCH COVER	from s/n 20194300361 - . For older products use kit 5978421-01	1	
2	738220219	BALL BEARING		1	
3	735313310	CIRCLIP		1	
4	503200230	SCREW IHSCFM		2	
5	503200220	SCREW IHSCFM		4	
6	503200770	SCREW IHSCFM	from s/n 20194300361 -	1	
6	503202001	SCREW IHSCM	up to s/n - 20194300360.	1	
7	544900701	CLUTCH DRUM ASSY		1	
8	594512301	CLUTCH ASSY		1	
9	503201802	SCREW EHHM		3	
10	505435302	CLUTCH SPRING		3	

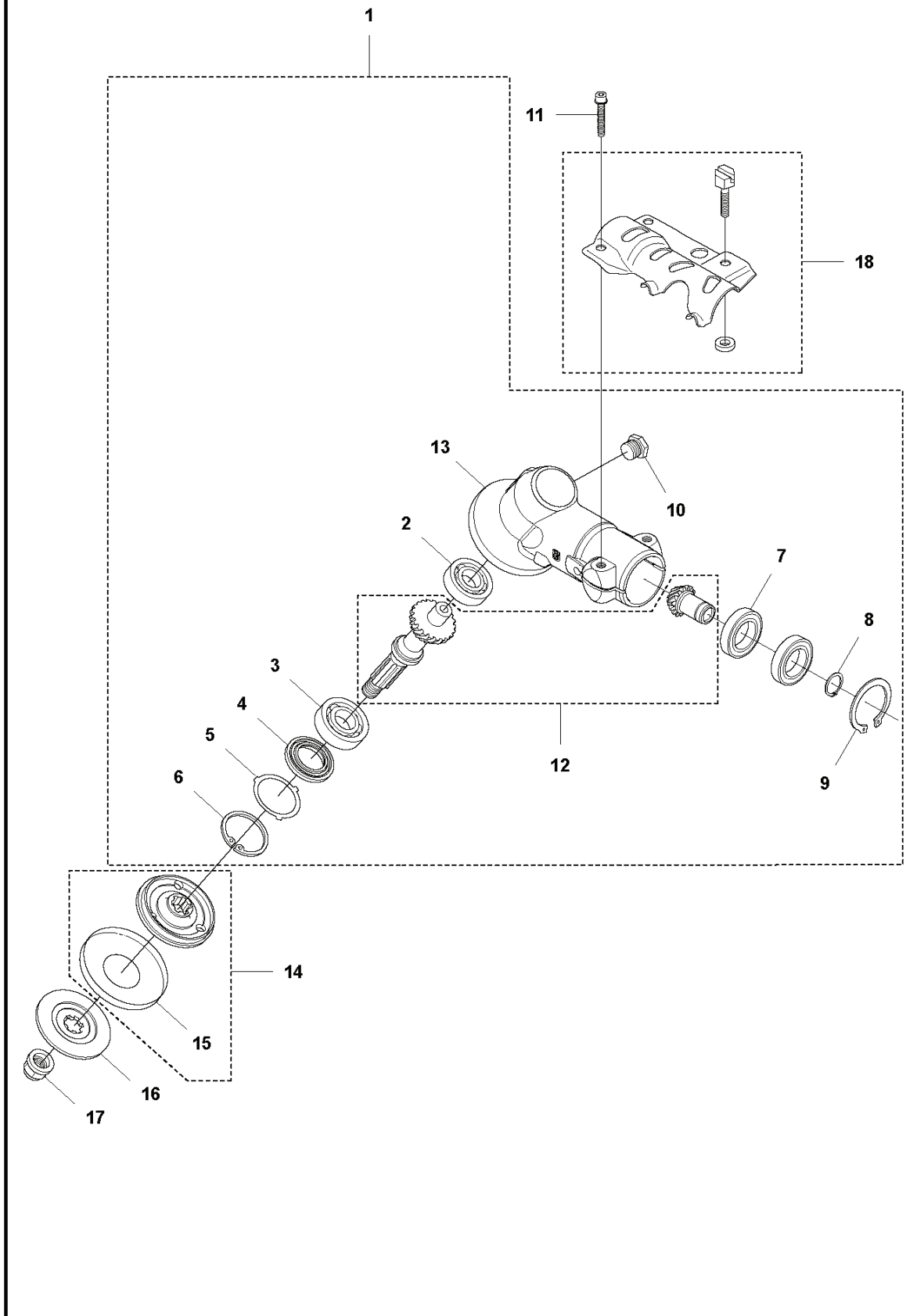
T 545 FX, 545 FXT, 545 RX, 545 RXT, 345FR
SHORT BLOCK

1



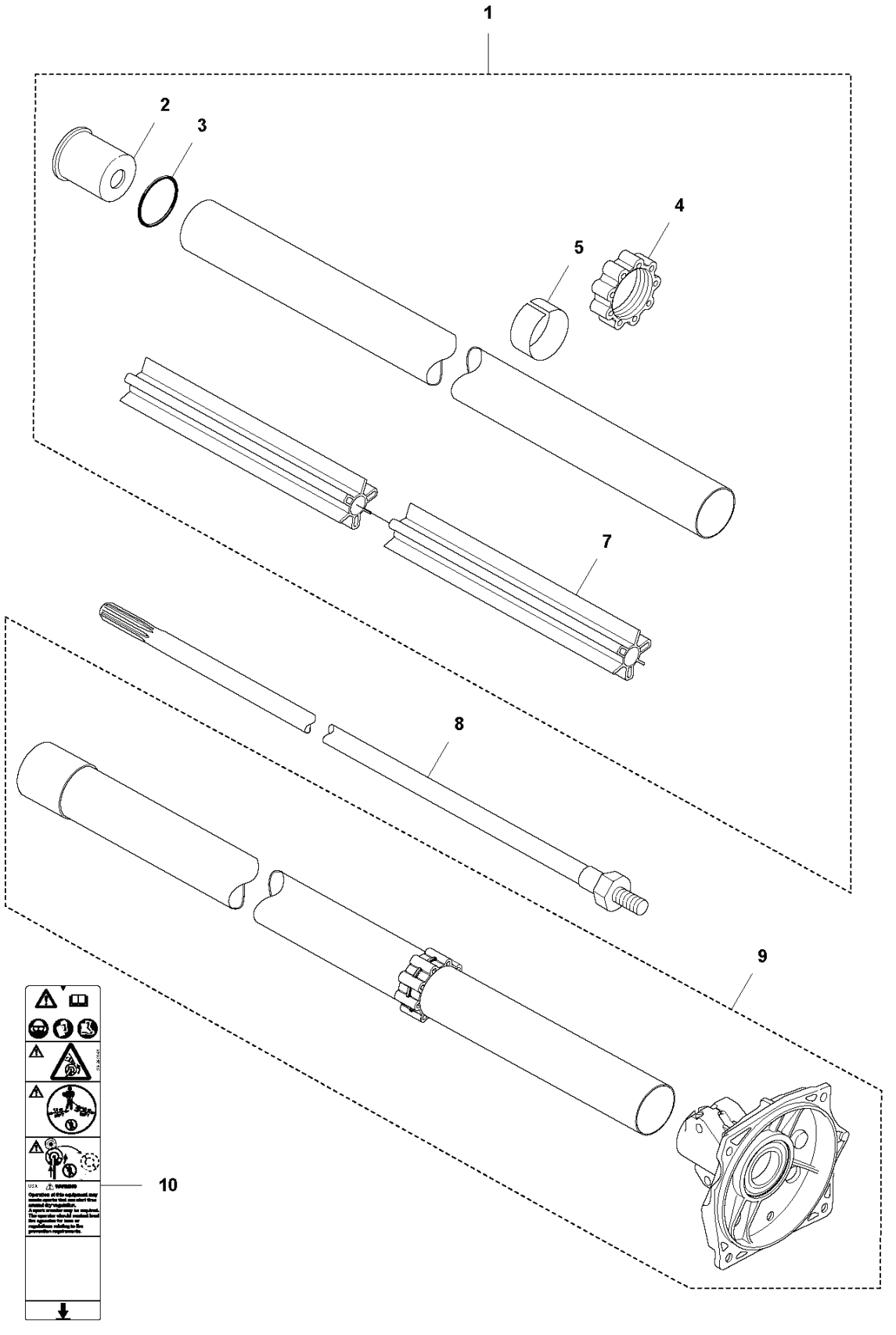
REF.	PART NO.	DESCRIPTION	REMARK	QTY.	KIT
1	585451501	CRANKCASE SYSTEM		1	

A1 545 RX, 545 RXT, 345 FR
BEVEL GEAR



REF.	PART NO.	DESCRIPTION	REMARK	QTY.	KIT
1	502235201	GEAR ASSY		1	
2	738210110	BALL BEARING		1	
3	503250801	BEARING		1	
4	503261701	SEALING		1	
5	503758901	COVER WASHER		1	
6	735313310	CIRCLIP		1	
7	738218712	BALL BEARING		2	
8	735311700	CIRCLIP		1	
9	735313110	CIRCLIP		1	
10	503201501	SCREW		1	
11	503200225	SCREW IHSCFM		2	
12	537290701	GEAR		1	
13	502235101	GEAR HOUSING		1	
14	537351402	DRIVER		1	
15	537292401	CUP		1	
16	537343502	SUPPORT FLANGE		1	
17	502291101	BLADE NUT		1	
18	583972401	ATTACHMENT PLATE		1	

B 545 FX, 545 FXT, 545 RX, 545 RXT, 345FR
SHAFT

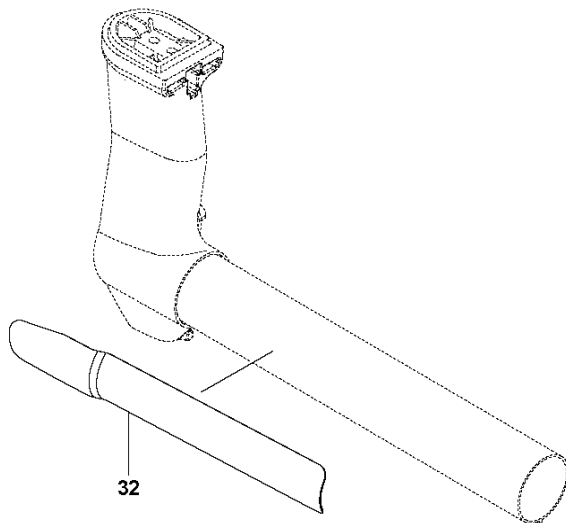
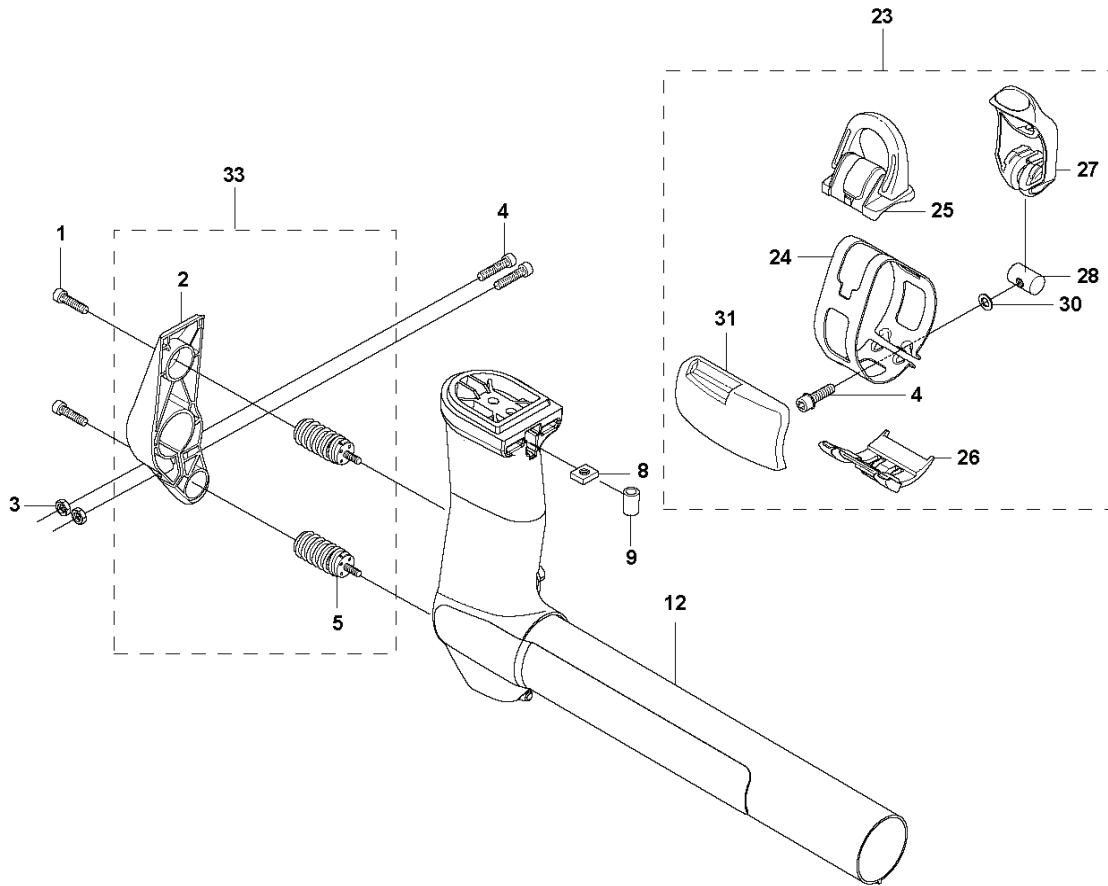


ATTENZIONE
 Operare il motore solo
 dopo aver installato
 il pannello di protezione.
 Per saperne di più sui
 simboli di pericolo, visitate
 il sito www.fiat.com o
 consultate il manuale di
 riferimento.

10

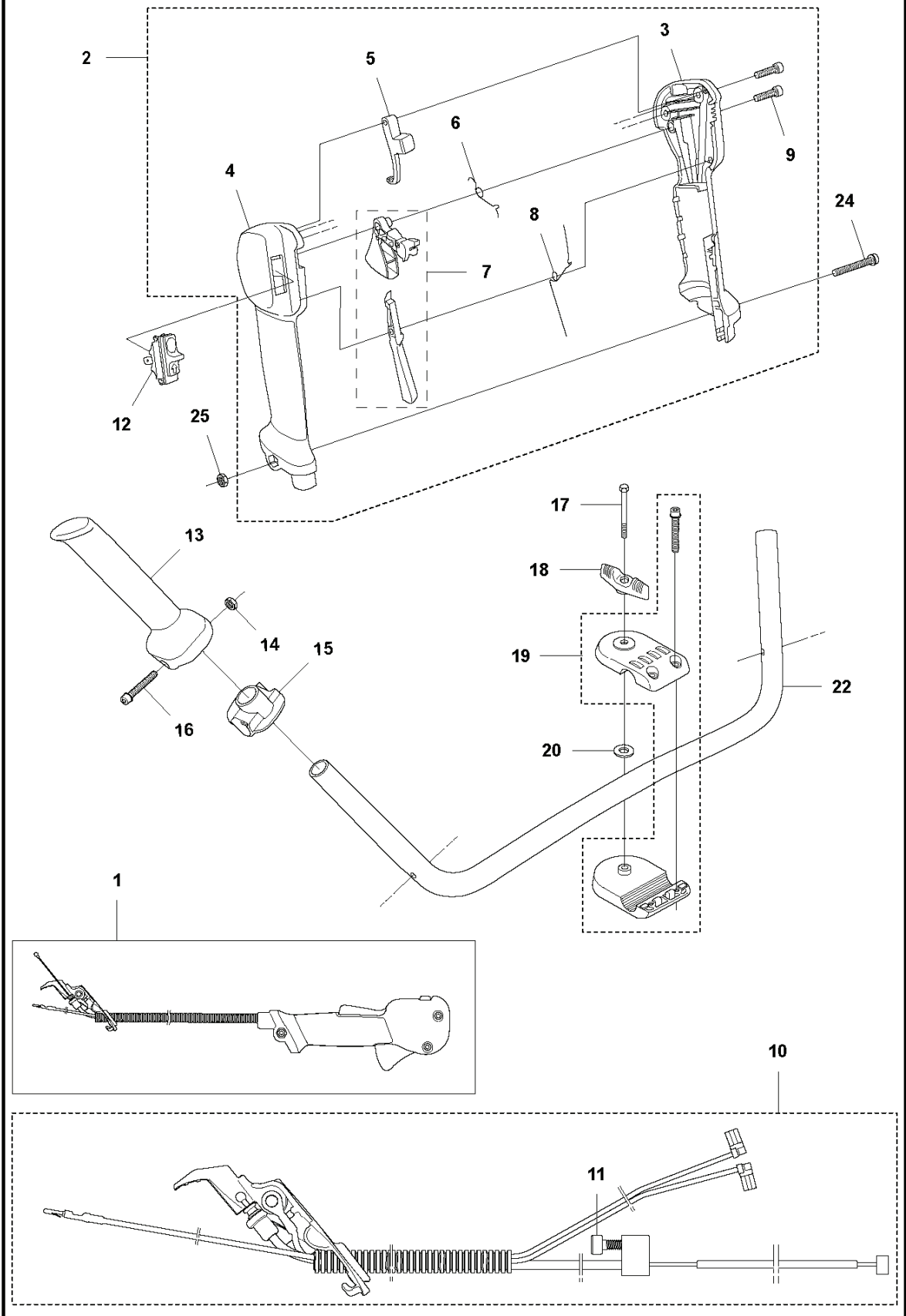
REF.	PART NO.	DESCRIPTION	REMARK	QTY.	KIT
1	586262609	TUBE ASSY	from s/n 20194300361 - . For older products use kit 5978421-01	1	
2	544029401	SPACER		1	
3	506110301	O-RING		1	
4	537309801	ANTIVIBRATION ELEMENT		1	
5	537309701	TAPE		1	
7	523018801	BEARING SHAFT	FX, FXT, RX	1	
8	503924402	DRIVE SHAFT	RX	1	
9	597842101	CLUTCH COVER ASSY	up to s/n - 20194300360.	1	
10	589295101	LABEL		1	

C2 545 RX, 545 RXT
SUSPENSION



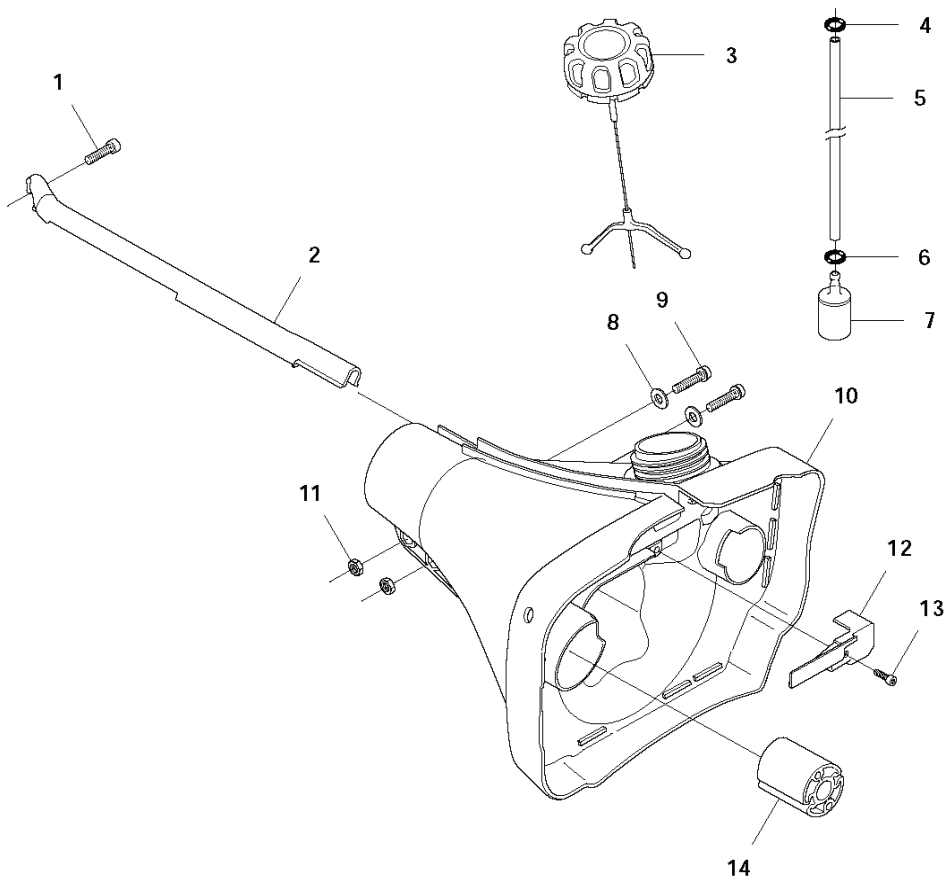
REF.	PART NO.	DESCRIPTION	REMARK	QTY.	KIT
1	503200216	SCREW IHSCFM		2	
2	589015801	HOLDER	s/n before 174200147. Holder kit 591 18 60-01 needs to be used.	1	
3	503221012	HEXAGON NUT		2	
4	503200225	SCREW IHSCFM		2	
5	537299701	ANTIVIBRATION ELEMENT	s/n up to - 174200146	2	
5	588829901	ANTIVIBRATION ELEMENT	s/n from 174200147 -	2	
8	502197101	SQUARE NUT		1	
9	503857302	COVER		1	
12	581979003	SUSPENSION	RX, RXT, Magnesium	1	
23	577375701	LOOP		1	
24	537197901	BAND		1	
25	537201803	LOOP		1	
26	577299301	GUIDE RAIL		1	
27	577208301	LEVER		1	
28	537427301	NUT		1	
30	503230011	WASHER		1	
31	544250701	WEAR PROTECTION		1	
32	501015501	WEAR PLATE	RXT, RX, FR	1	
33	591186001	HOLDER KIT		1	

D1 545 RX, 545 RXT, 345 FR
THROTTLE CONTROLS



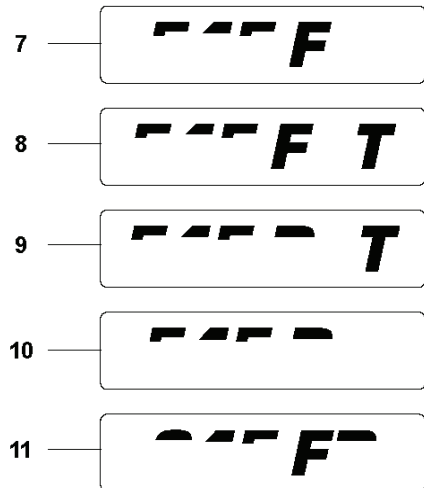
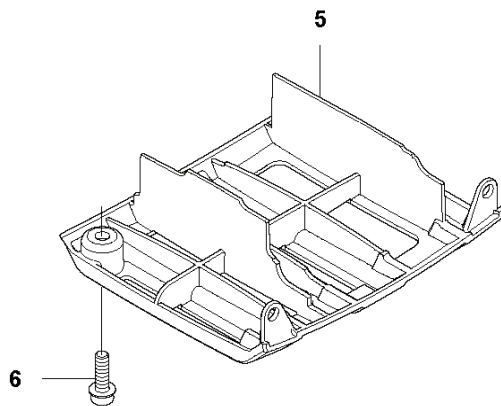
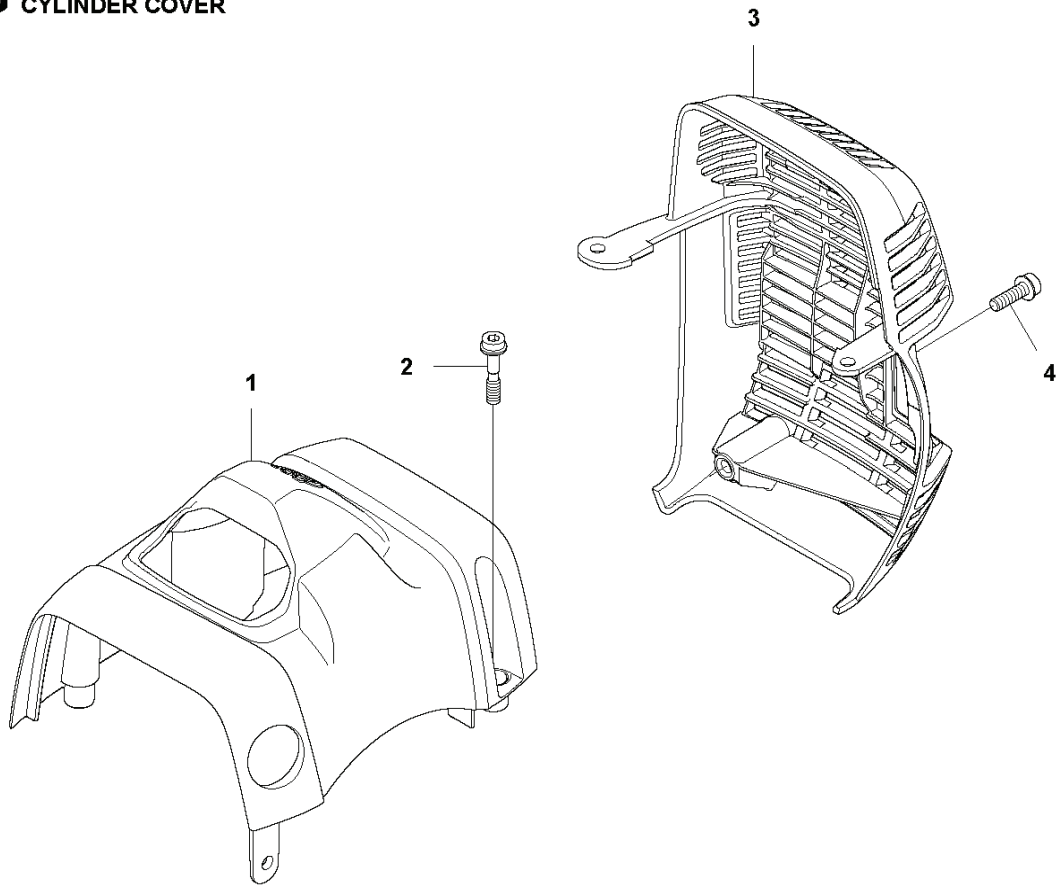
REF.	PART NO.	DESCRIPTION	REMARK	QTY.	KIT
1	577071901	THROTTLE HANDLE ASSY	RX, RXT	1	
2	504209804	THROTTLE HANDLE ASSY		1	
3	537180811	HANDLE HALF		1	
4	537180711	HANDLE HALF		1	
5	537160701	THROTTLE LOCKOUT		1	
6	537174201	SPRING		1	
7	506497701	THROTTLE CONTROL		1	
8	537174301	SPRING		1	
9	503216618	SCREW IHSCST		2	
10	525419801	WIRING ASSY		1	
11	503216616	SCREW IHSCST		1	
12	537419001	SWITCH		1	
13	537172803	HANDLE		1	
14	731231405	HEXAGON NUT		1	
15	537172902	BRACKET		1	
16	503200245	SCREW IHSCFM		1	
17	725238381	SCREW EHHM		1	
18	502203801	KNOB		1	
19	595303601	HANDLEBAR BRACKET	s/n from 20173300001 up to 20181100180	1	
19	596283301	HANDLEBAR BRACKET		1	
20	502282101	WASHER		1	
22	505433304	HANDLEBAR		1	
24	503200735	SCREW IHSCFM		1	
25	503221013	HEXAGON NUT		1	

E 545FX, 545 FXT, 545 RX, 545 RXT, 345 FR
FUEL TANK



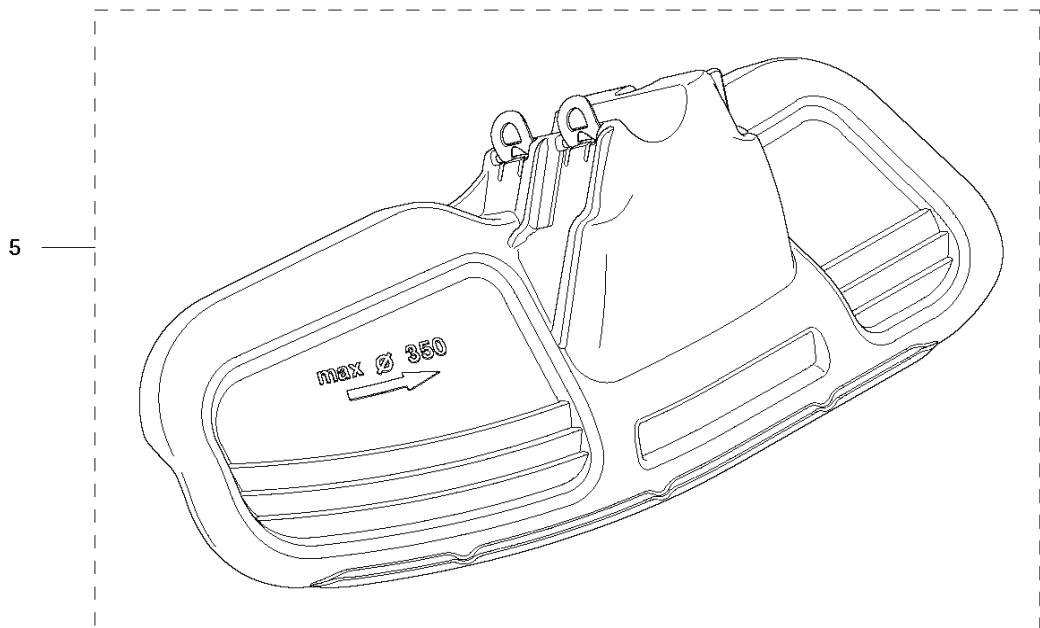
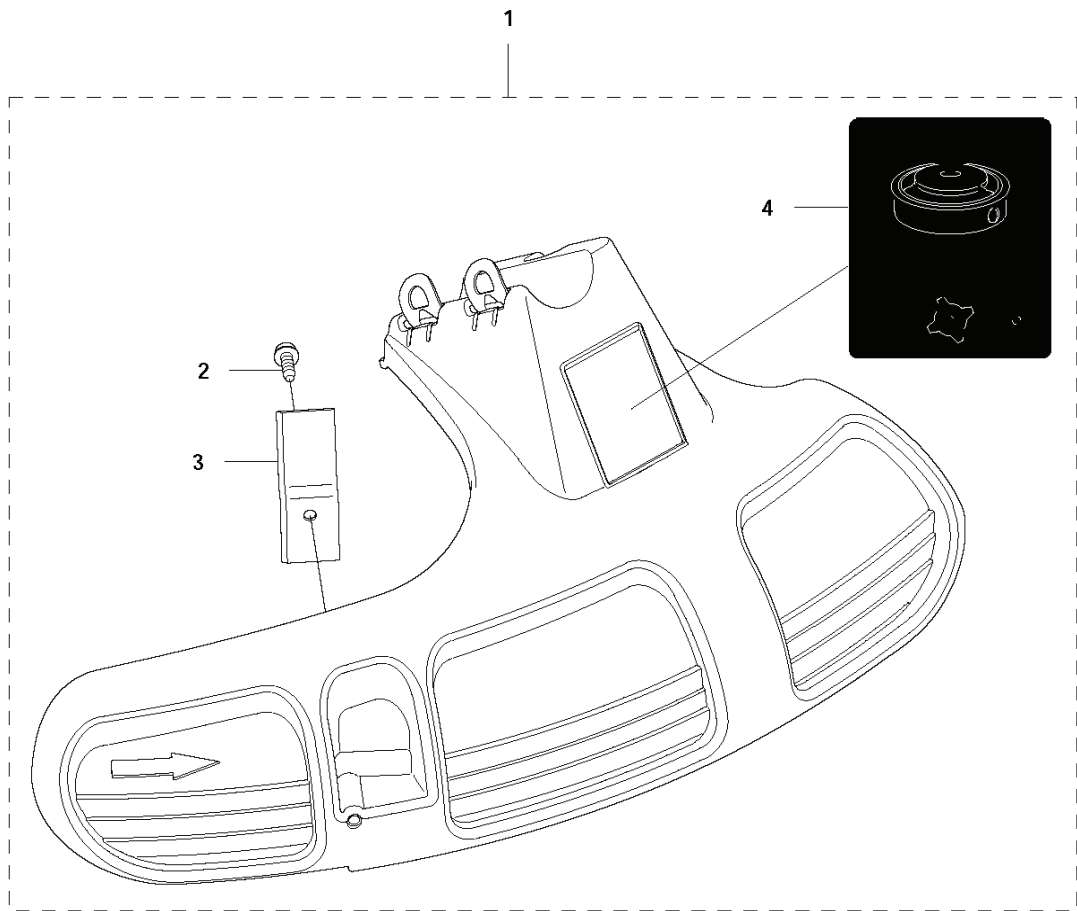
REF.	PART NO.	DESCRIPTION	REMARK	QTY.	KIT
1	503200216	SCREW IHSCFM		1	
2	537172501	COVER		1	
2	537172502	COVER		1	
3	590324601	TANK CAP ASSY		1	
4	537184901	O-RING		1	
5	581756116	FUEL HOSE		1	
6	537184901	O-RING		1	
7	503443201	FUEL FILTER		1	
8	503230011	WASHER		2	
9	503200316	SCREW IHSCFM		2	
10	503949301	FUEL TANK		1	
11	503221012	HEXAGON NUT		2	
12	537219901	HOSE GUARD		1	
13	503217116	SCREW IHSCFM		1	
14	510208701	ANTIVIBRATION ELEMENT		2	

G 545 FX, 545 FXT, 545 RX, 545 RXT, 345 FR
CYLINDER COVER



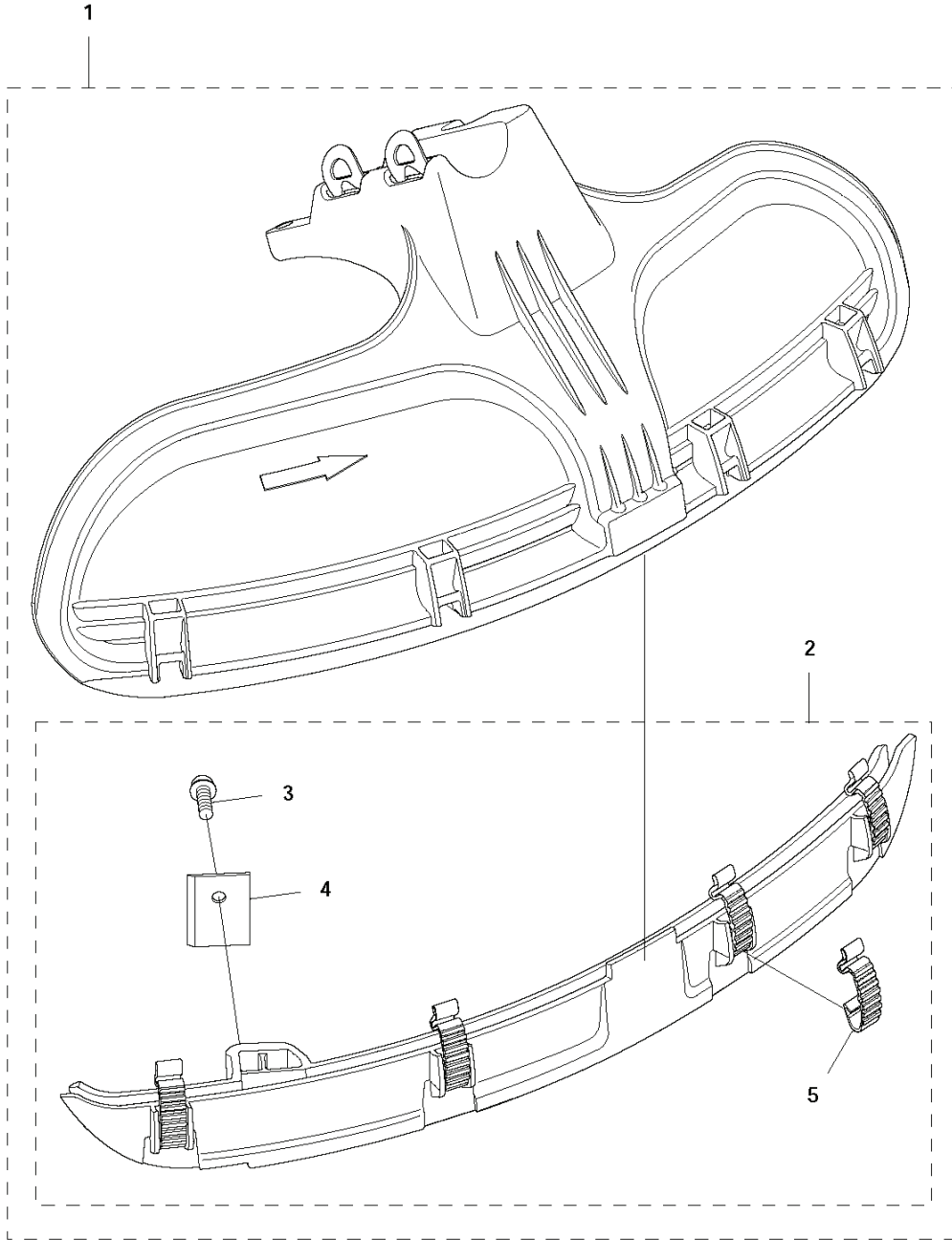
REF.	PART NO.	DESCRIPTION	REMARK	QTY.	KIT
1	510047501	CYLINDER COVER		1	
2	574477004	SCREW IHSCFMO	Captive Screw	3	
3	576920001	HEAT PROTECTOR		1	
4	503200774	SCREW IHSCFM		1	
5	510422201	PROTECTIVE COVER		1	
6	503200774	SCREW IHSCFM		2	
7	576998601	LABEL	FX	1	
8	576998602	LABEL	FXT	1	
9	576998603	LABEL	RXT	1	
10	576998604	LABEL	RX	1	
11	576998605	LABEL	FR	1	

R2 545 RX, 545 RXT, 345 FR
ACCESSORIES



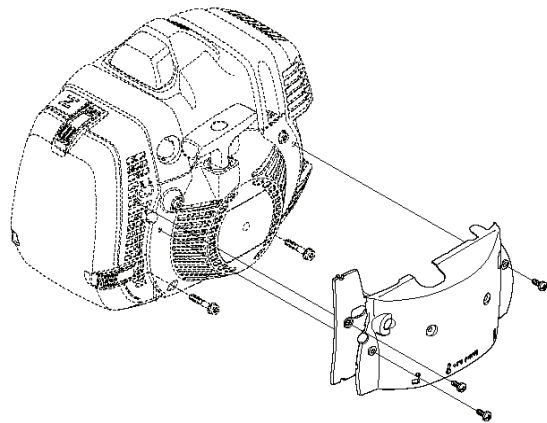
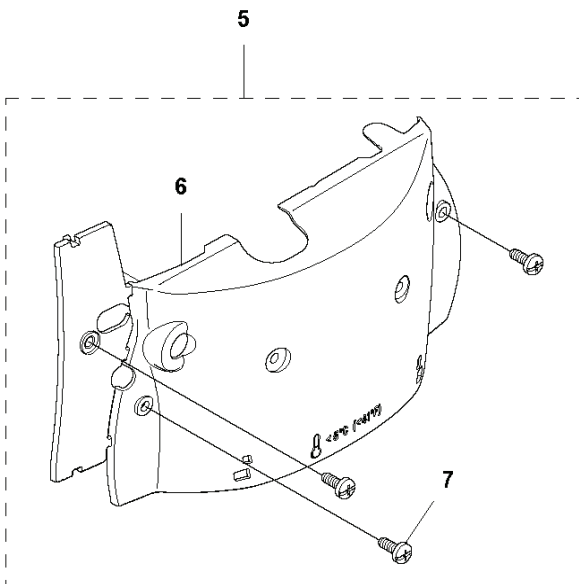
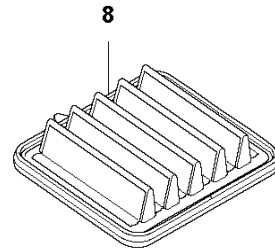
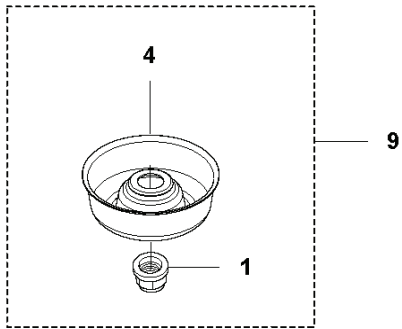
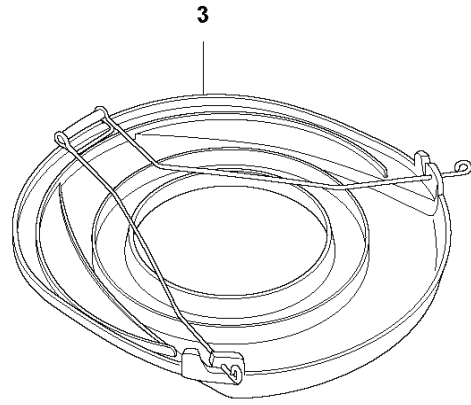
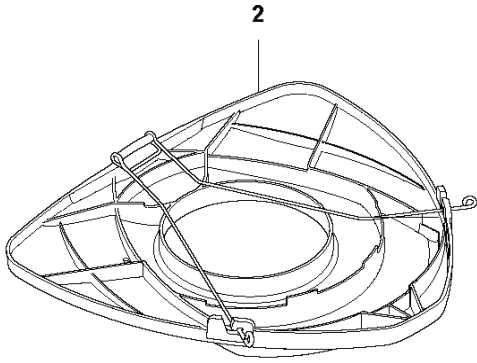
REF.	PART NO.	DESCRIPTION	REMARK	QTY.	KIT
1	503954301	TRIMMER GUARD ASSY		1	
2	503210716	SCREW IHSCT		1	
3	503798802	BLADE		1	
4	503742901	DECAL		1	
5	537288501	BLADE GUARD		1	

R3 545 RX, 545 RXT, 345 FR
ACCESSORIES



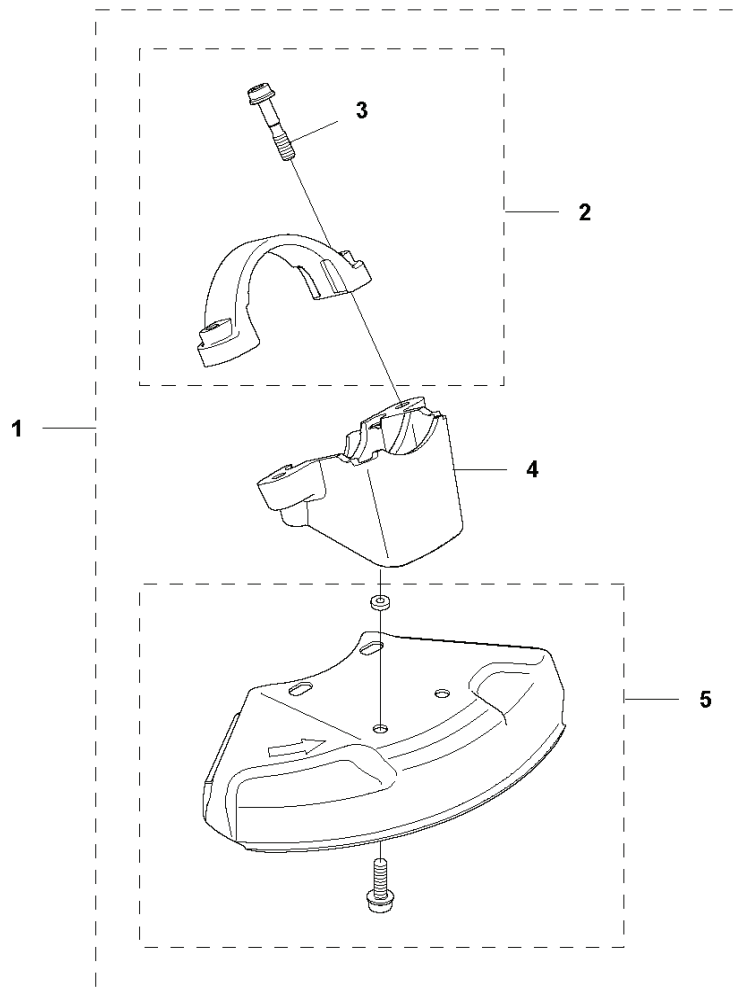
REF.	PART NO.	DESCRIPTION	REMARK	QTY.	KIT
1	544464301	COMBINATION GUARD		1	
2	544464401	COMBINATION GUARD		1	
3	503217572	SCREW IHSCFT		1	
4	503798802	BLADE		1	
5	537387201	SNAP LOCKING		1	

R4 545 F, 545 FX, 545 FXT, 545 RX, 545 RXT, 545 FR, 345 FR
ACCESSORIES



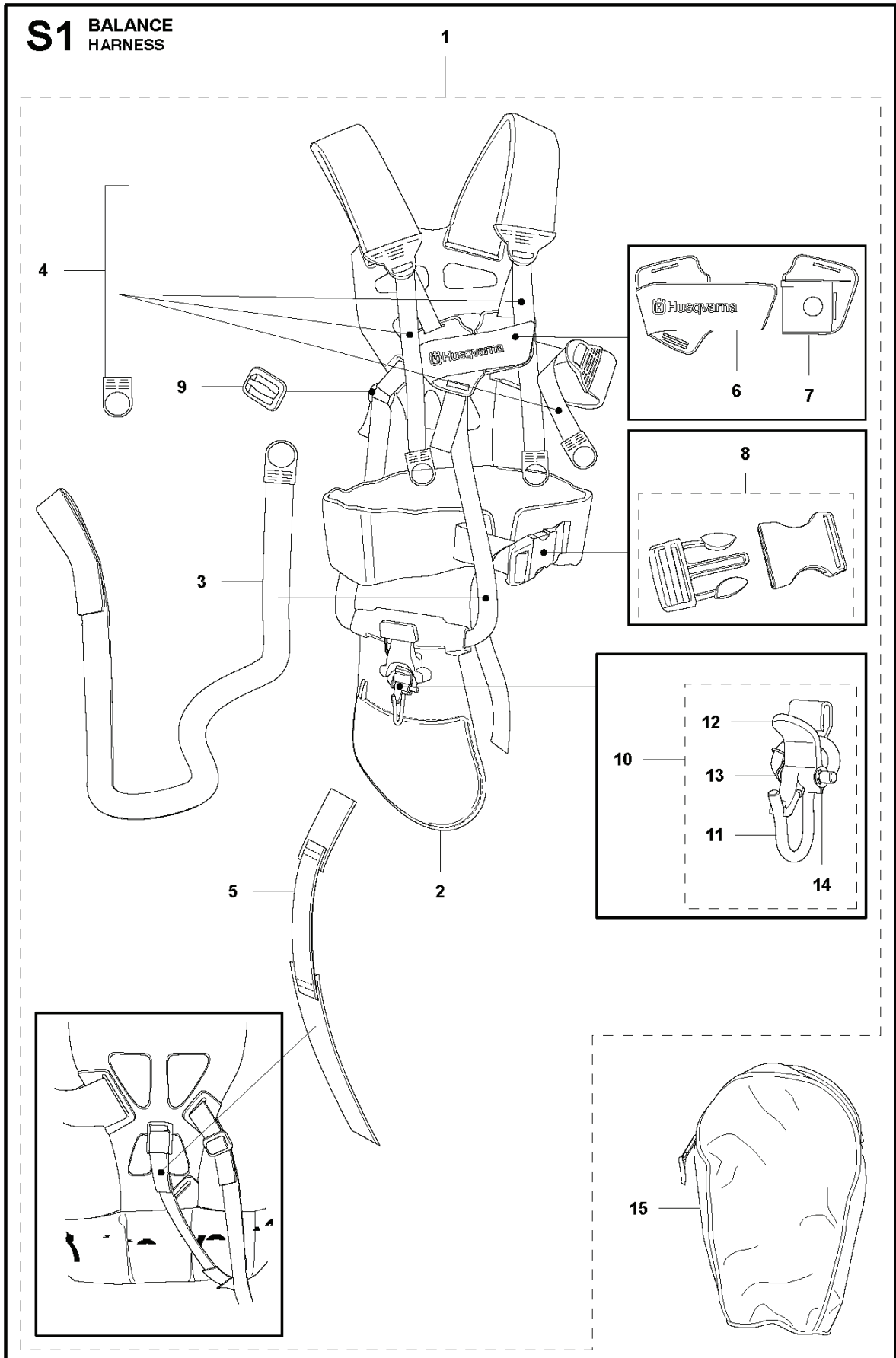
REF.	PART NO.	DESCRIPTION	REMARK	QTY.	KIT
1	502291101	BLADE NUT		1	
2	544359101	TRANSPORT GUARD	300-350 mm, Transport guard	1	
3	537312901	TRANSPORT GUARD	200-275 mm, Transport guard	1	
4	544380201	SUPPORT CUP		1	
5	577043901	WINTER KIT		1	
6	522550901	WINTER COVER		1	
7	503217010	SCREW CCRPANT		3	
8	537410804	AIR FILTER	Mesh 25µm, Winter Forest	1	
9	535334401	SUPPORT CUP		1	

R12 545 RX, 545 RXT, 545 FR
ACCESSORIES



REF.	PART NO.	DESCRIPTION	REMARK	QTY.	KIT
1	537310902	SAW BLADE GUARD		1	
2	574555401	CLAMP	Spare part with Captive Screw	1	
3	573994304	SCREW IHSCFMO	Captive Screw	2	
4	504003301	ADAPTER		1	
5	574532601	BLADE GUARD		1	

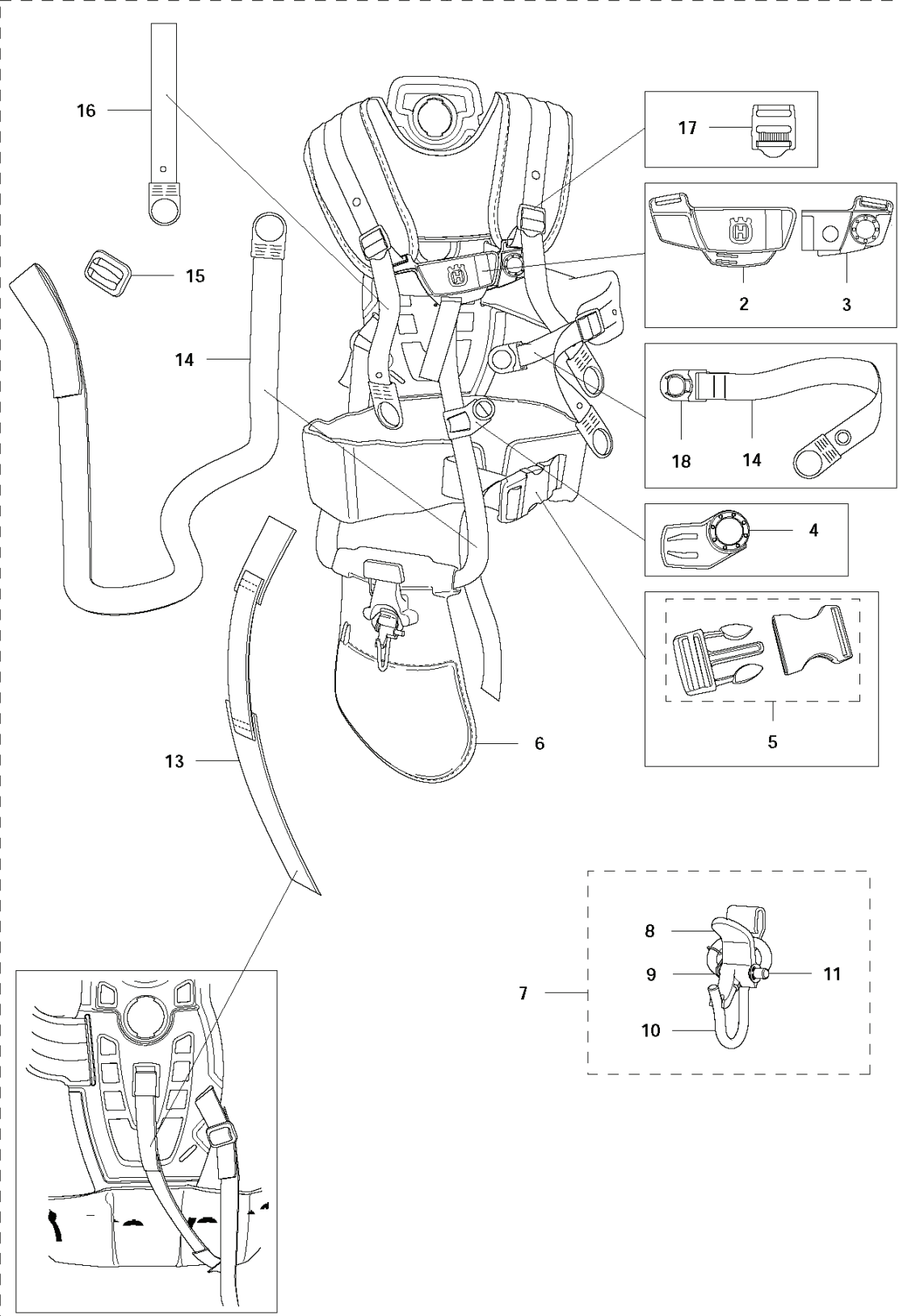
S1 BALANCE HARNESS



REF.	PART NO.	DESCRIPTION	REMARK	QTY.	KIT
1	504045201	HARNESS		1	
1	505406201	HARNESS	US	1	
2	544901701	HIP PAD		1	
3	503996103	BAND		1	
4	503996101	BAND		3	
5	537153501	STRAP		1	
6	537288401	BUCKLE		1	
7	537288301	BUCKLE		1	
8	537331501	BUCKLE		1	
9	537113501	RETAINER		1	
10	544960702	WELT HOOK		1	
11	502022902	HOOK		1	
12	502023002	LOCK		1	
13	586341001	SPRING		1	
14	735310920	E-CLIP		1	
15	537306601	BAG	Triobalance Tool bag	1	

S2 BALANCE XT HARNESS

1



REF.	PART NO.	DESCRIPTION	REMARK	QTY.	KIT
1	505204201	HARNESS		1	
2	504545201	BUCKLE	US	1	
3	504545101	BUCKLE		3	
4	504637501	SNAP LOCKING		1	
5	537331501	BUCKLE		1	
6	544901701	HIP PAD		1	
7	544960702	WELT HOOK		1	
8	502023002	LOCK		1	
9	586341001	SPRING		1	
10	502022902	HOOK		1	
11	735310920	E-CLIP		1	
13	537153501	STRAP		1	
14	503996104	BAND		1	
15	537113501	RETAINER		1	
16	503996107	BAND		1	
17	505444601	BUCKLE		1	
18	504637401	SNAP LOCKING		1	