

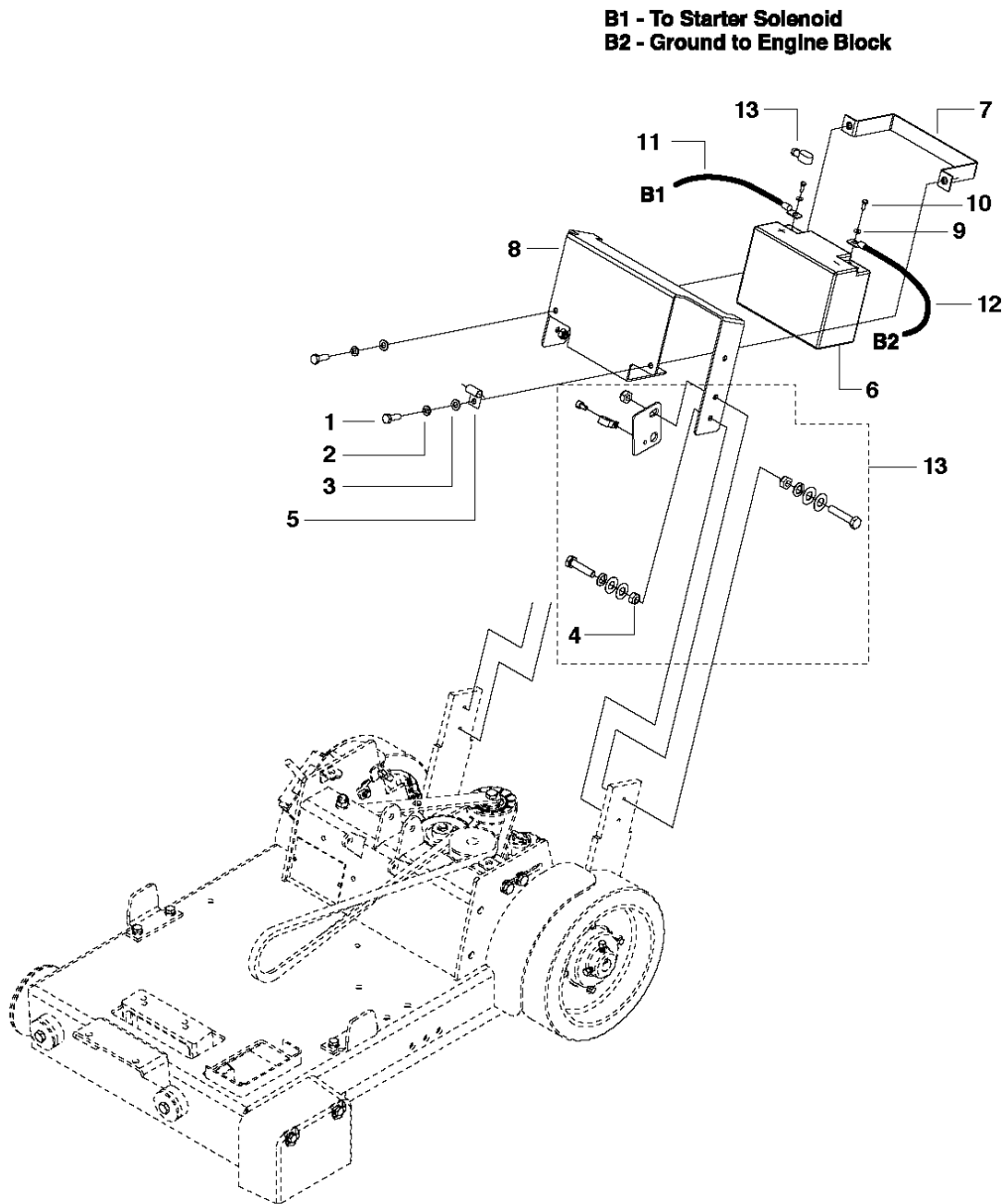


SPARE PARTS LIST

FLOOR SAWS

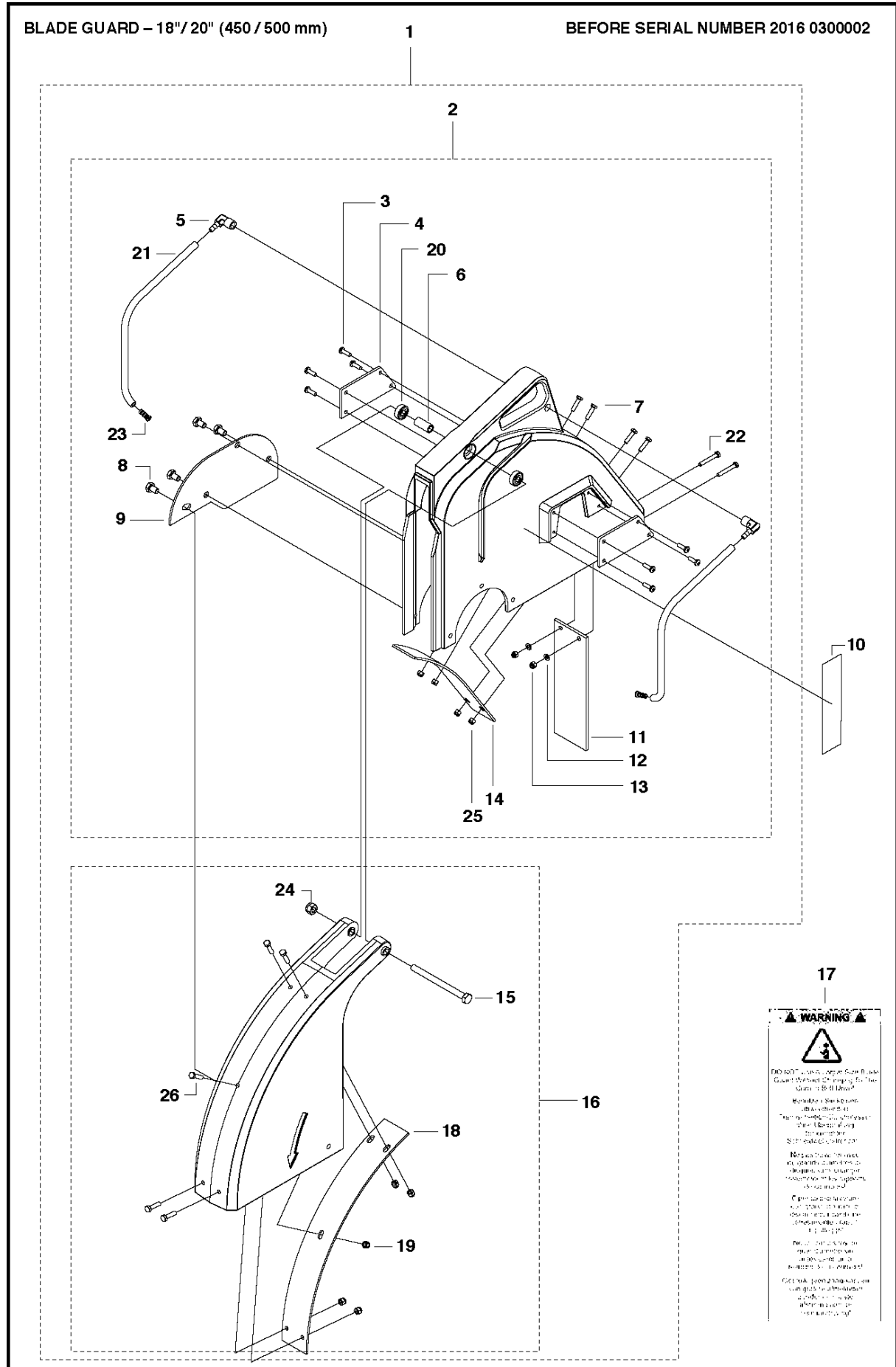
FS513/FS520/FS524, Valid to machines
FS520-2149 and FS 524-1629, 2007-08 to
2011-02

BATTERY & COVERS- 20 & 24 HP ONLY



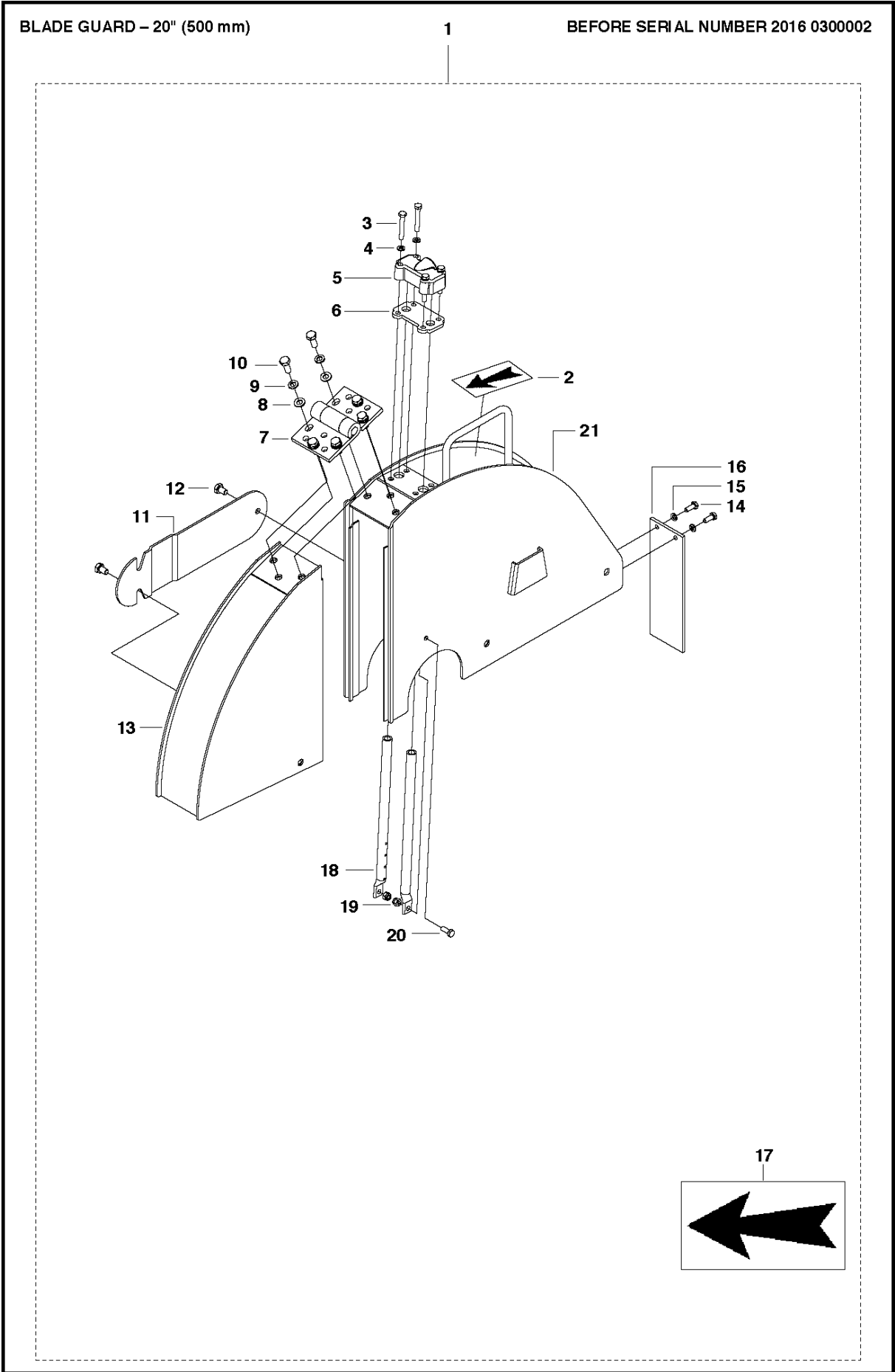
BATTERY & COVERS FS513/FS520/FS524, Valid to machines FS520-2149 and FS 524-1629, 2007-08 to 2011-02

Ref	Part No	Description	Remark	QTY KIT
1	725 24 53-71	SCREW EHHM		2
2	735 11 64-01	SPRING WASHER		2
3	734 11 63-01	WASHER		2
4	732 25 18-01	HEXAGON LOCKING NUT		4
5	542 19 05-60	CLAMP. VINYL COATED .38 X .75		1
6	541 20 83-18	BATTERY. GEL CELL		1
7	542 20 41-75	BRACE. BATTERY - PC H. ORANGE		1
8	542 20 41-76	BRACE. TANK - PC HUSQ. ORANGE		1
9	734 11 52-01	WASHER		2
10	725 23 66-71	SCREW EHHM		2
11	542 18 22-54	CABLE		1
12	542 18 22-53	CABLE. BATTERY. NEGATIVE		1
13	585 69 43-01	FIXING PLATE		2



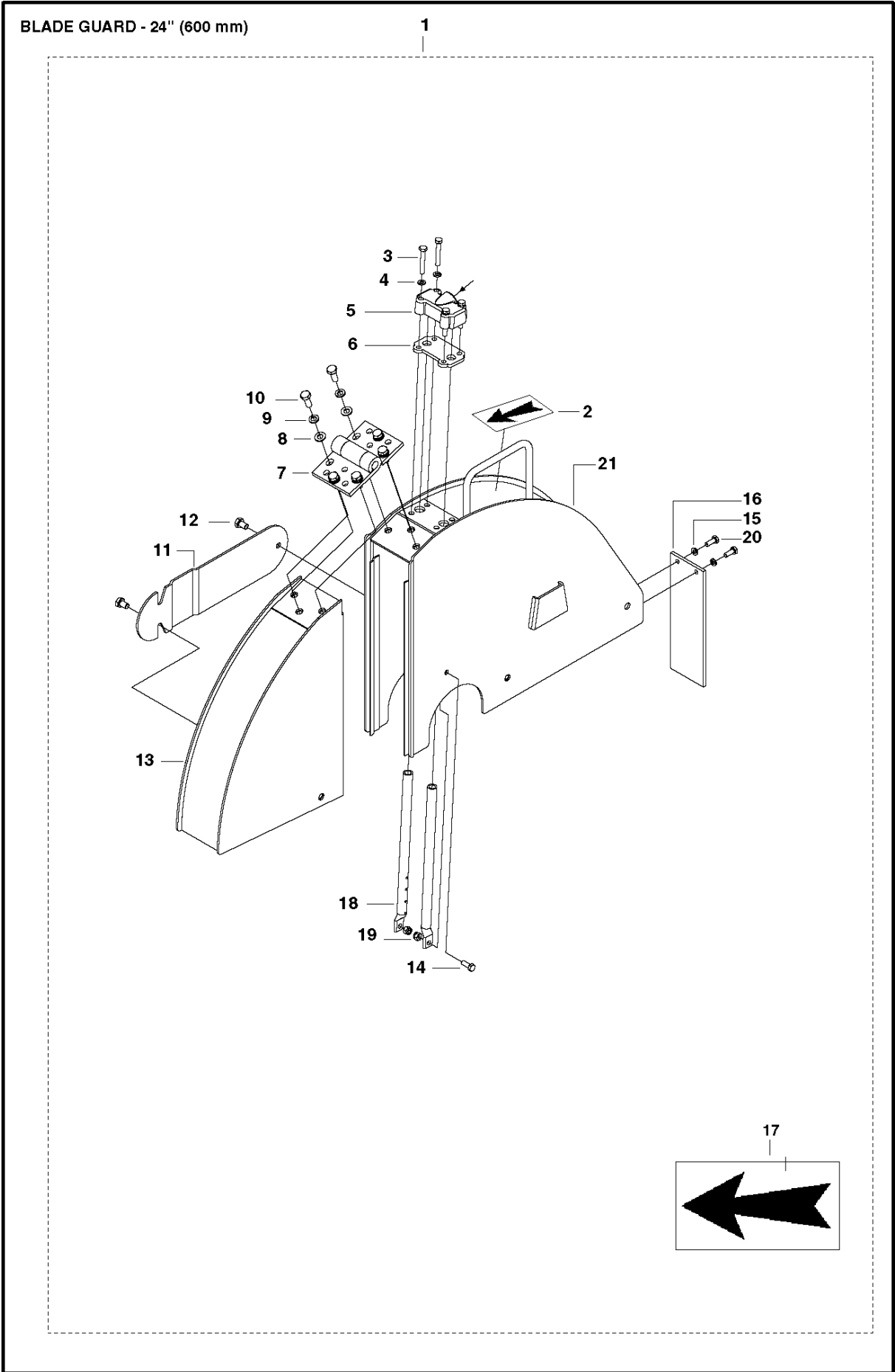
Blade guard - 18"/20" FS513/FS520/FS524, Valid to machines FS520-2149 and FS 524-1629, 2007-08 to 2011-02

Ref	Part No	Description	Remark	QTY	KIT
1	542 20 23-60	BLADE GUARD	18"	1	
1	542 20 40-89	BLADE GUARD	20"	1	
2	542 20 23-62	ASSY. BLD GRD REAR - H. GREY	18"	1	1
2	542 20 41-44	ASSY. BLD GRD REAR	20"	1	1
3	724 13 29-51	SCREW CRPANM		8	1, 2
4	541 20 82-45	PLATE.SPADE RETAINING.FINISHED		2	1, 2
5	541 20 82-63	ELBOW		2	1, 2
6	541 20 82-49	TUBE		1	1, 2
7	725 23 31-71	SCREW EHHM		4	1, 2
8	725 24 47-71	SCREW EHHM		4	1, 2
9	541 20 82-46	COVER		1	1, 2
10	542 16 72-98	DECAL		2	
11	542 20 40-64	SPLASH FLAP		1	1, 16
12	734 11 52-01	WASHER		2	1, 16
13	732 25 16-01	HEXAGON LOCKING NUT		2	1, 16
14	541 20 82-37	GUARD. STEEL. REAR. PC BLACK	18"	1	1, 16
14	542 20 40-96	GUIDE BAR	20"	1	1, 16
15	725 24 71-51	SCREW EHHM		1	1, 16
16	542 20 23-63	ASSY. BLD GRD FRONT - H. GREY	18"	1	1, 16
16	542 20 41-45	ASSY. BLD GRD FRONT	20"	1	1, 16
17	542 16 72-98	DECAL		1	
18	541 20 82-40	GUARD. STEEL. FRONT. PC BLACK	18"	1	1, 16
18	542 20 40-97	GUIDE BAR	20"	1	1, 16
19	732 25 14-01	HEXAGON LOCKING NUT		5	1, 16
20	541 20 82-30	BALL BRG. 8MM ID		2	1, 2
21	541 20 82-65	TUBE	18"	2	1, 2
21	542 20 41-01	TUBE	20"	1	1, 2
22	725 23 76-71	SCREW EHHM		2	1, 2
23	542 20 40-63	SPRAY JET		2	1, 2
24	732 25 18-01	HEXAGON LOCKING NUT		1	1, 16
25	732 25 14-01	HEXAGON LOCKING NUT		4	1, 2
26	725 23 31-71	SCREW EHHM		5	1, 16



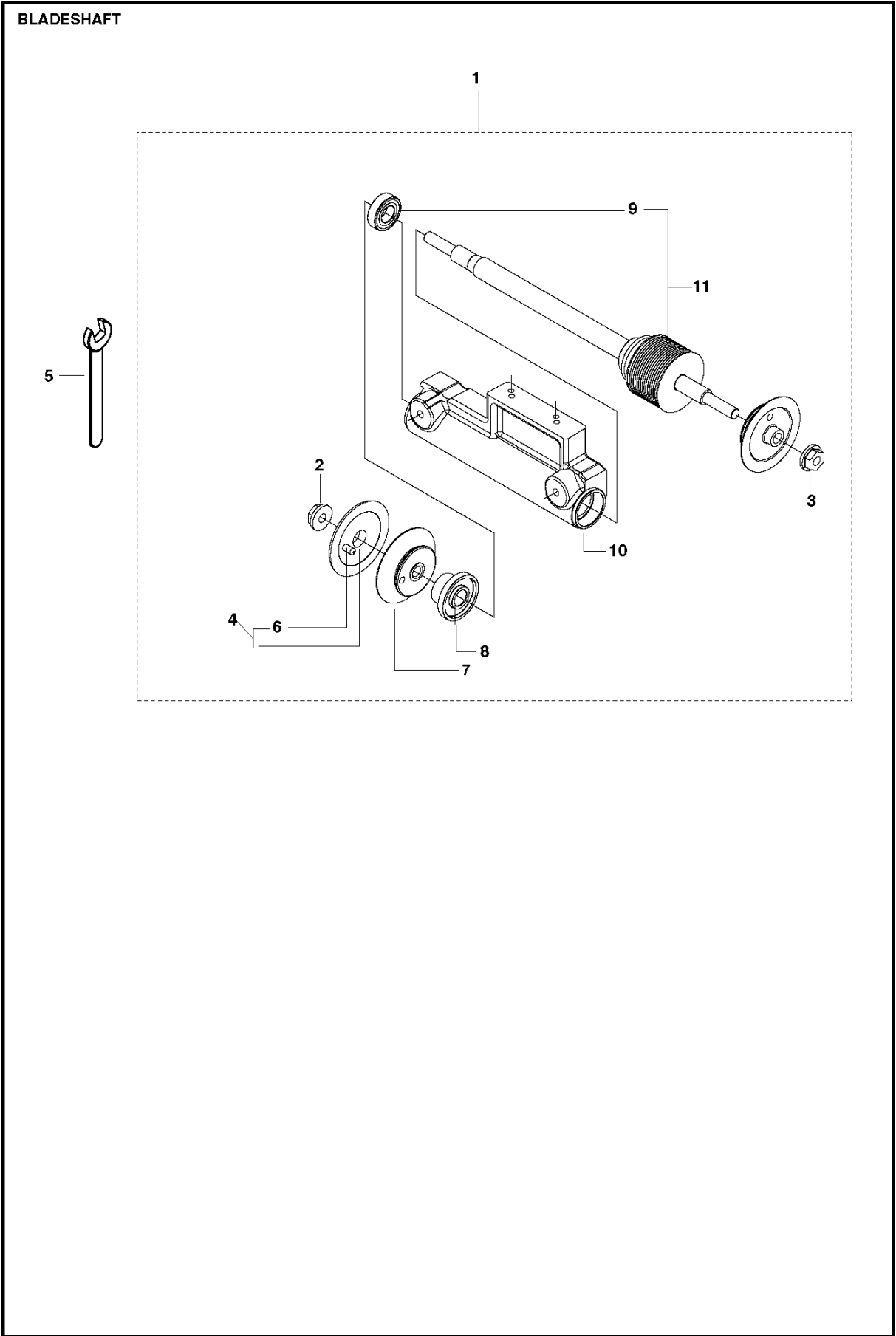
Blade Guard - 20" FS513/FS520/FS524, Valid to machines FS520-2149 and FS 524-1629, 2007-08 to 2011-02

Ref	Part No	Description	Remark	QTY KIT
1	542 20 41-01	TUBE		2
2	542 20 40-63	SPRAY JET		2
3	541 20 82-63	ELBOW		2
4	725 23 31-71	SCREW EHHM		4
5	725 23 76-71	SCREW EHHM		2
6	725 23 31-71	SCREW EHHM		5
7	541 20 82-49	TUBE		1
8	541 20 82-30	BALL BRG. 8MM ID		2
9	541 20 82-45	PLATE.SPADE RETAINING.FINISHED		2
10	724 13 29-51	SCREW CRPANM		8
11	542 20 40-64	SPLASH FLAP		1
12	732 25 16-01	HEXAGON LOCKING NUT		2
13	734 11 52-01	WASHER		2
14	732 25 14-01	HEXAGON LOCKING NUT		4
15	725 24 71-51	SCREW EHHM		1
16	732 25 14-01	HEXAGON LOCKING NUT		5
17	725 24 47-71	SCREW EHHM		4
18	541 20 82-46	COVER		1
19	542 20 40-89	BLADE GUARD		1
20	542 20 41-45	ASSY. BLD GRD FRONT		1
21	542 20 40-97	GUIDE BAR		1
22	542 20 41-44	ASSY. BLD GRD REAR		1
23	542 20 40-96	GUIDE BAR		1
24	732 25 18-01	HEXAGON LOCKING NUT		1
25	542 16 72-98	DECAL		1
26	542 16 72-98	DECAL		2



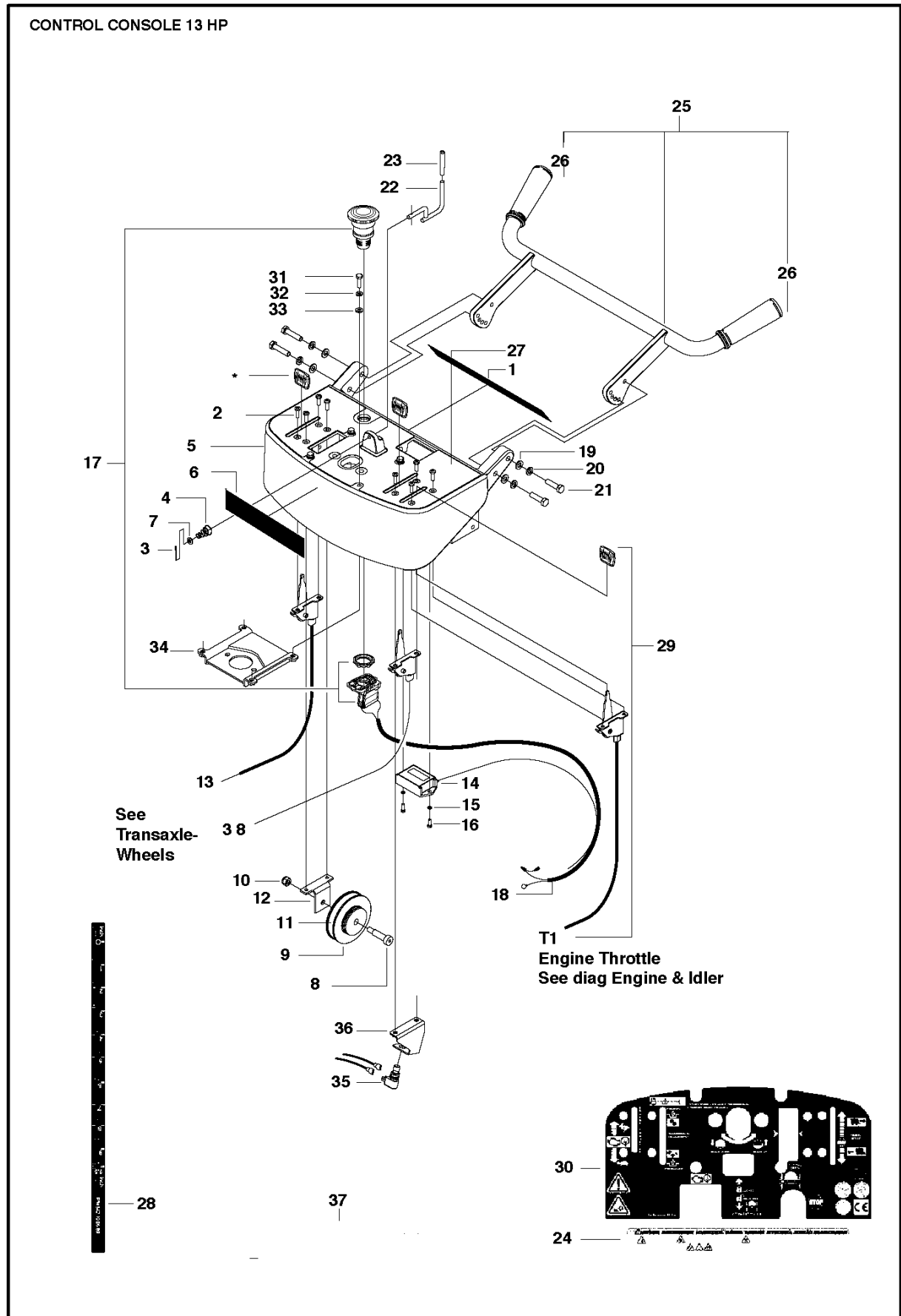
Blade Guard - 24" FS513/FS520/FS524, Valid to machines FS520-2149 and FS 524-1629, 2007-08 to 2011-02

Ref	Part No	Description	Remark	QTY KIT
1	542 20 41-87	BLADE GUARD		1
2	543 85 00-37	STICKER		1
3	725 23 78-71	SCREW EHHM		4
4	735 11 53-01	WASHER		4
5	542 13 90-45	AXE		1
6	542 13 90-51	JOINT		1
7	542 19 05-19	HINGE		1
8	734 11 63-01	WASHER		6
9	735 11 64-01	SPRING WASHER		6
10	725 24 51-71	SCREW EHHM		6
11	542 20 42-04	COVER		1
12	725 24 47-71	SCREW EHHM		2
13	542 20 41-88	BLADEGRD. 24" FRONT PC H. GREY		1
14	725 23 68-71	SCREW EHHM		2
15	734 11 64-01	WASHER		2
16	542 20 40-64	SPLASH FLAP		1
17	543 85 00-37	STICKER		1
18	542 20 41-98	BLADEGUARD TUBE - GALVANIZED		2
19	732 25 16-01	HEXAGON LOCKING NUT		2
20	725 23 68-71	SCREW EHHM		2
21	542 20 41-92	BLADEGUARD. 24" REAR PC H GREY		1



BLADESHAFT FS513/FS520/FS524, Valid to machines FS520-2149 and FS 524-1629, 2007-08 to 2011-02

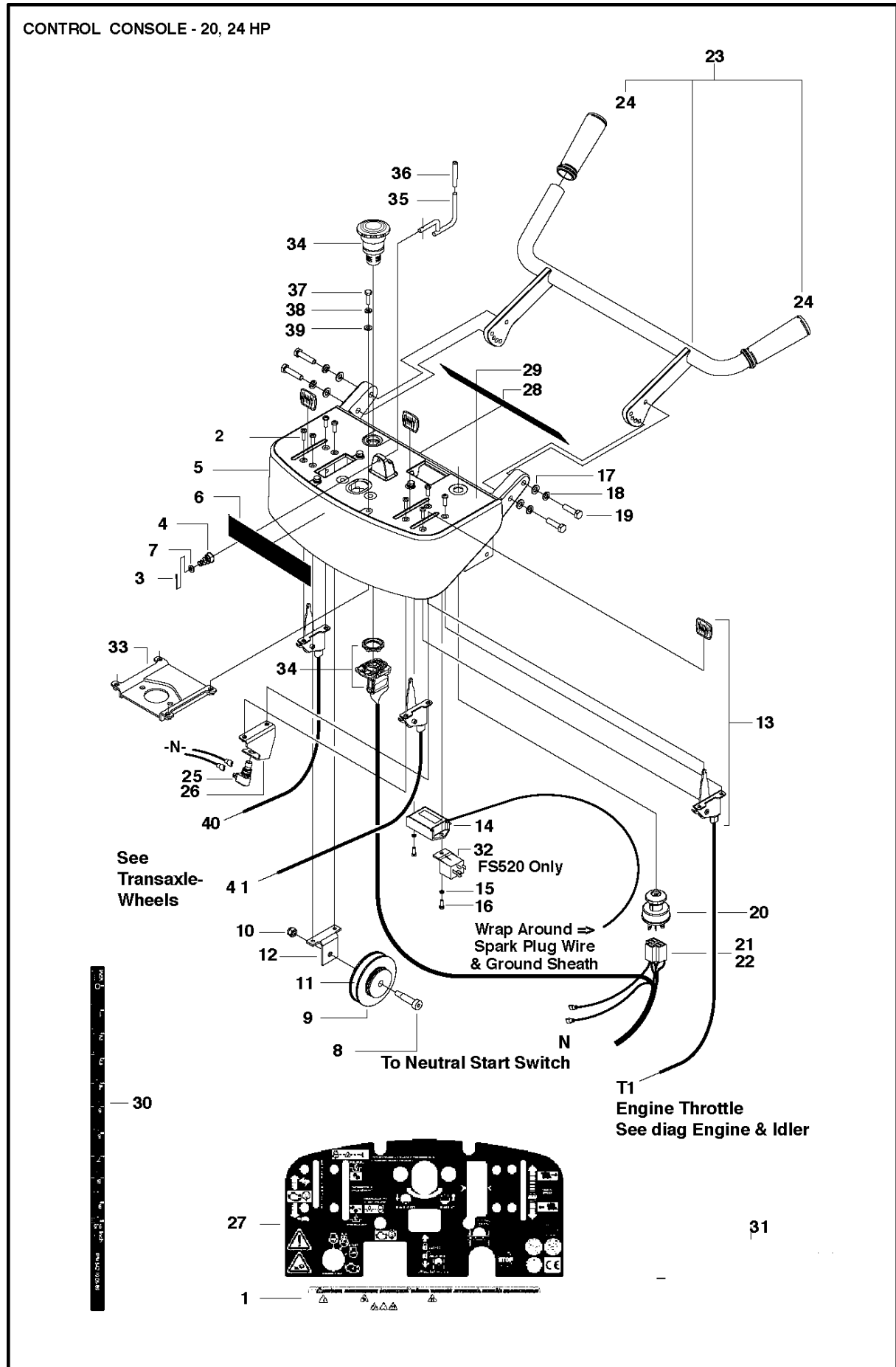
Ref	Part No	Description	Remark	QTY KIT
1	541 20 72-41	BLADE SHAFT		1
2	542 16 78-46	NUT		1
3	542 16 78-47	NUT		1
4	542 16 79-62	COLLAR		1
5	542 20 22-92	WRENCH		1
6	542 16 79-64	PION US/		1
7	542 16 71-85	COLLAR		2
8	541 20 71-88	SLINGER. BLACK OXIDE		1
9	541 20 81-60	BEARING		1
10	541 20 72-40	BLADESHAFT TUBE MACHINING		1
11	504 00 79-01	BLADE SHAFT		1



CONTROL CONSOLE FS513/FS520/FS524, Valid to machines FS520-2149 and FS 524-1629, 2007-08 to 2011-02

Ref	Part No	Description	Remark	QTY KIT
38	542 20 23-30	CABLE ASSY		
1	542 19 06-38	DECAL		1
2	724 13 29-51	SCREW CRPANM		8
3	721 61 43-01	PIN. COTTER 1.6X22 ISO 1234		1
4	542 20 41-13	SPRING		1
5	586 46 90-01	CONSOLE		1
6	542 19 07-33	DECAL		1
7	734 11 52-01	WASHER		1
8	541 20 82-79	HSHS M10 X 30		1
9	542 20 21-63	WHEEL. DEPTH GAUGE		1
10	732 25 18-71	HEXAGON LOCKING NUT		1
11	542 19 05-89	DECAL		1
12	542 20 21-64	BRACKET. DEPTH GAUGE. Z/P		1
13	581 49 13-01	CABLE KIT		2
14	539 30 05-56	HOURLY METER		1
15	735 11 36-01	SPRING WASHER 4.1X7.1		2
16	725 22 91-71	SCREW EHHM		2
17	582 10 15-01	STOP SWITCH		1
18	542 18 22-52	CORD		1
19	734 11 63-01	WASHER		4
20	735 11 64-01	SPRING WASHER		4
21	725 24 57-71	SCREW EHHM		4
22	542 20 41-09	LOCKING PIN		1
23	542 20 21-69	CAP. ROUND VINYL		1
24	542 19 06-38	DECAL		1
25	542 20 41-86	HANDLEBAR		1
26	542 13 95-68	GRIP		2
27	502 24 01-01	DECAL		1
28	542 19 05-89	DECAL		1
29	542 20 41-51	THROTTLE		1
30	502 24 01-01	DECAL		1
31	725 23 70-71	SCREW EHHM		4
32	735 11 53-01	WASHER		4
33	734 11 52-01	WASHER		4
34	502 85 62-05	BRACKET		1
35	542 20 40-52	SWITCH		1
36	504 06 80-04	BRACKET		1
37	542 19 07-33	DECAL		1

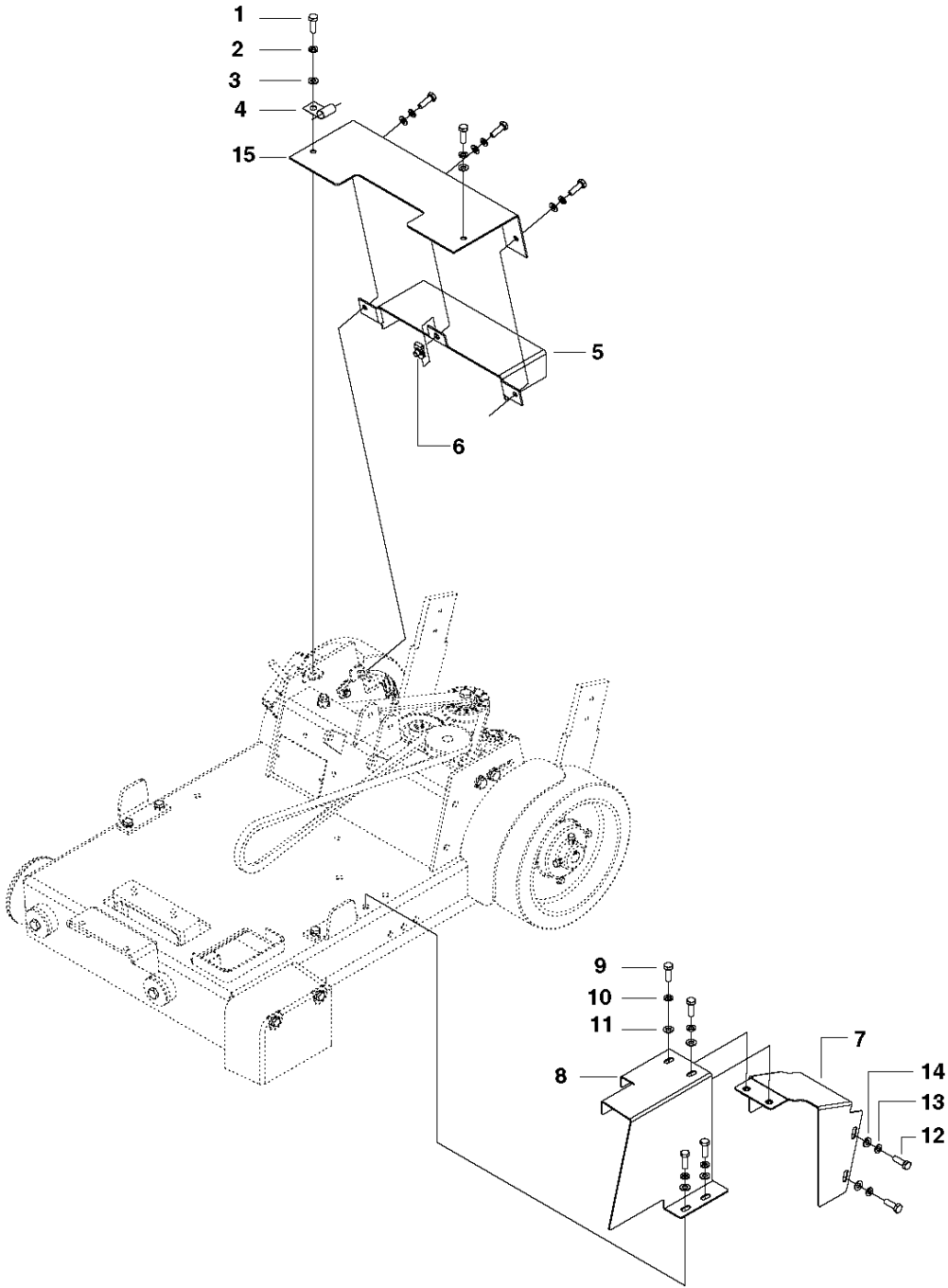
CONTROL CONSOLE - 20, 24 HP



CONTROL CONSOLE FS513/FS520/FS524, Valid to machines FS520-2149 and FS 524-1629, 2007-08 to 2011-02

Ref	Part No	Description	Remark	QTY KIT
40	581 49 13-01	CABLE KIT		1
1	542 19 06-38	DECAL		1
2	724 13 29-51	SCREW CRPANM		8
3	721 61 43-01	PIN. COTTER 1.6X22 ISO 1234		1
4	542 20 41-13	SPRING		1
5	586 46 90-01	CONSOLE		1
6	542 19 07-33	DECAL		1
7	734 11 52-01	WASHER		1
8	541 20 82-79	HSHS M10 X 30		1
9	542 20 21-63	WHEEL. DEPTH GAUGE		1
10	732 25 18-71	HEXAGON LOCKING NUT		1
11	542 19 05-89	DECAL		1
12	542 20 21-64	BRACKET. DEPTH GAUGE. Z/P		1
13	587 69 69-01	CABLE		1
14	539 30 05-56	HOUR METER		1
15	735 11 36-01	SPRING WASHER 4.1X7.1		2
16	725 22 91-71	SCREW EHHM		2
17	734 11 63-01	WASHER		4
18	735 11 64-01	SPRING WASHER		4
19	725 24 57-71	SCREW EHHM		4
20	542 17 79-20	KEY SWITCH		1
21	542 18 22-50	WIRING HARNESS		1
22	542 18 22-74	WIRING HARNESS		1
23	542 20 41-86	HANDLEBAR		1
24	542 13 95-68	GRIP		2
25	542 20 40-52	SWITCH		1
26	504 06 80-04	BRACKET		1
27	502 24 01-03	DECAL		1
28	542 19 06-38	DECAL		1
29	502 24 01-03	DECAL		1
30	542 19 05-89	DECAL		1
31	542 19 07-33	DECAL		1
32	542 16 67-08	RELAIS FS902T/02/03/		1
33	502 85 62-05	BRACKET		1
34	582 10 15-01	STOP SWITCH		1
35	542 20 41-09	LOCKING PIN		1
36	542 20 21-69	CAP. ROUND VINYL		1
37	725 23 70-71	SCREW EHHM		4
38	735 11 53-01	WASHER		4
39	734 11 52-01	WASHER		4
41	542 20 23-30	CABLE ASSY		2

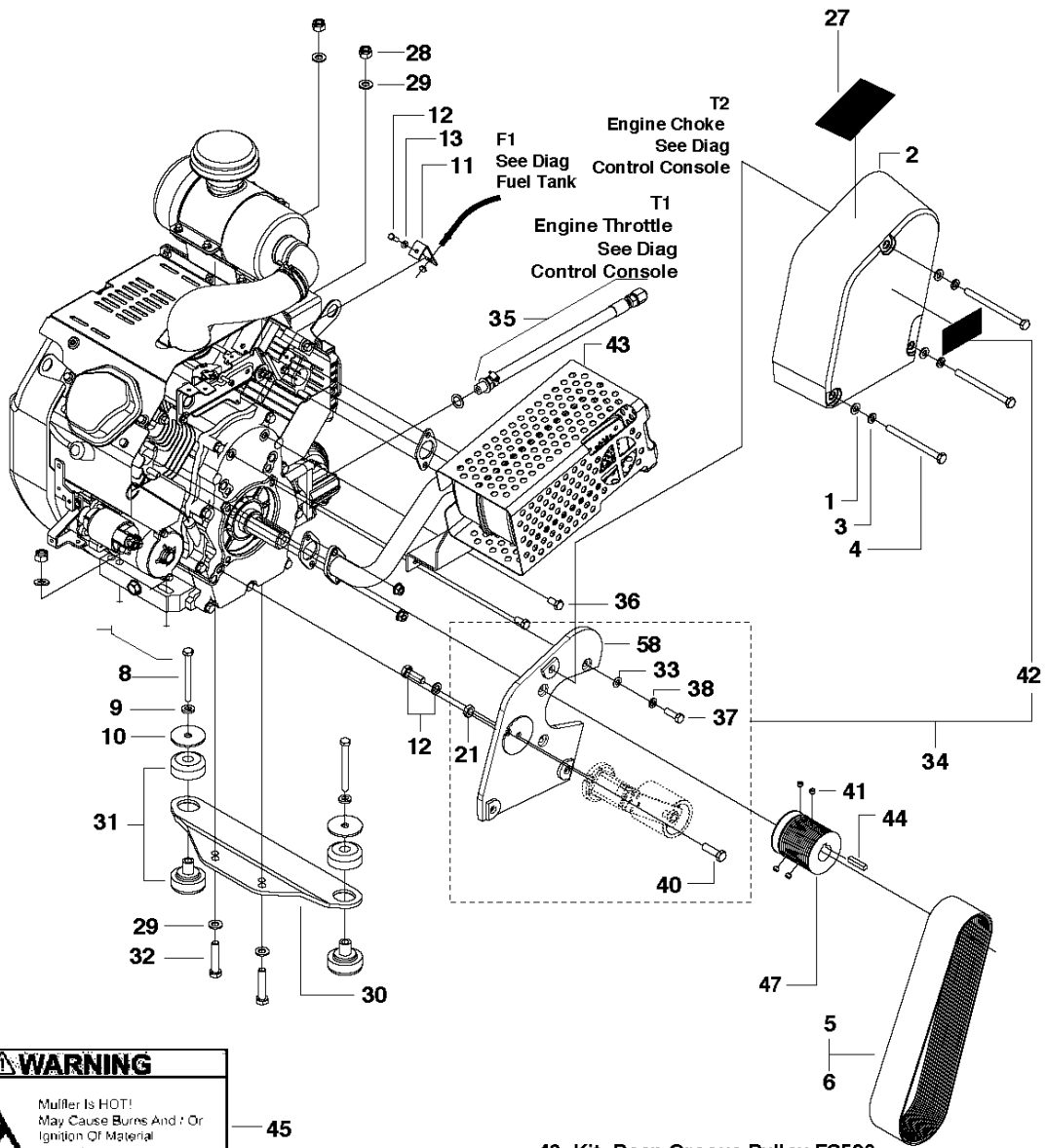
COVERS



COVER FS513/FS520/FS524, Valid to machines FS520-2149 and FS 524-1629, 2007-08 to 2011-02

Ref	Part No	Description	Remark	QTY KIT
1	725 24 53-71	SCREW EHHM		5
2	735 11 64-01	SPRING WASHER		5
3	734 11 63-01	WASHER		5
4	542 16 69-55	CLAMP. VINYL COATED 3/8 X 1.0		1
5	542 20 41-72	COVER		1
6	542 20 20-99	U-NUT. M8X1.25(1.5-5.5MM MATL)		1
7	542 20 41-71	SIDE COVER. BACK. PC H ORANGE		1
8	542 20 41-70	BELT COVER		1
9	725 24 53-71	SCREW EHHM		4
10	735 11 64-01	SPRING WASHER		4
11	734 11 63-01	WASHER		4
12	725 24 53-71	SCREW EHHM		4
13	735 11 64-01	SPRING WASHER		2
14	734 11 63-01	WASHER		2
15	542 20 41-73	COVER		1

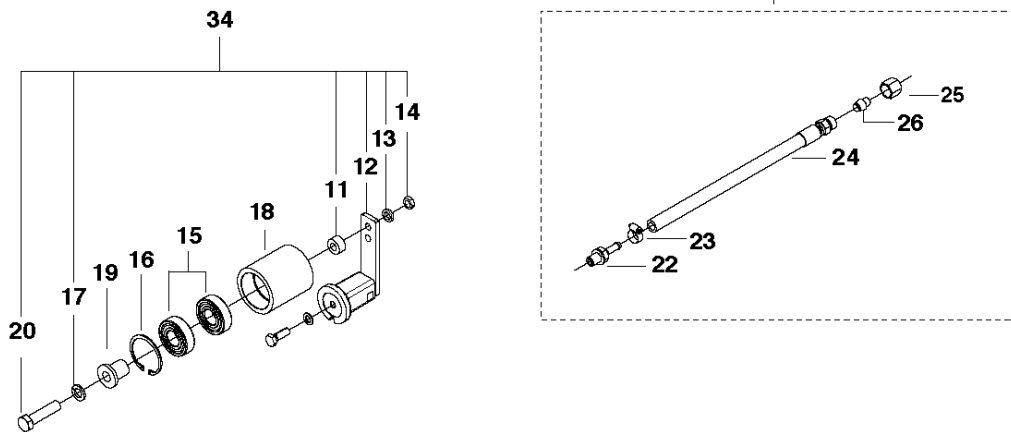
ENGINE & IDLER 20, 24 HP



WARNING

 Muller Is HOT!
 May Cause Burns And / Or
 Ignition Of Material
 Avoid Contact!

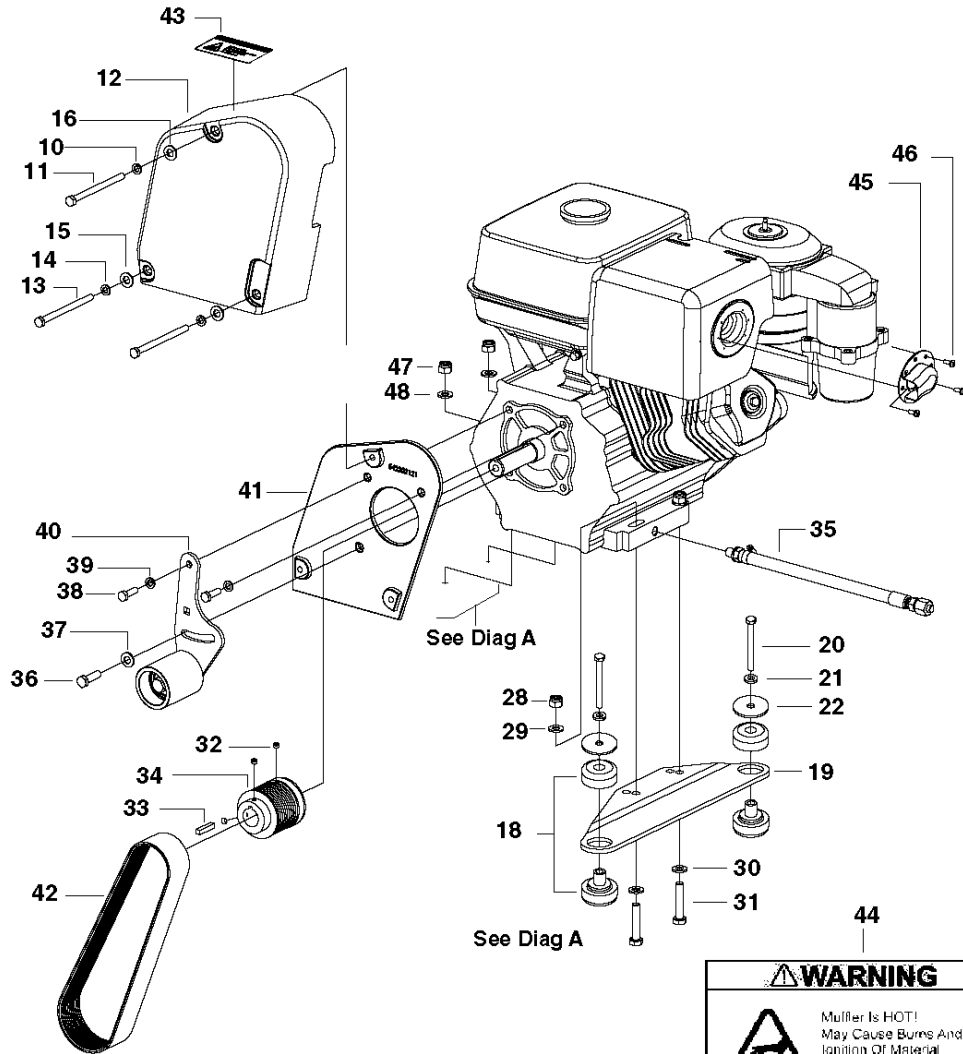
46- Kit, Deep Groove Pulley FS520
 48- Kit, Deep Groove Pulley FS524



ENGINE & IDLER FS513/FS520/FS524, Valid to machines FS520-2149 and FS 524-1629, 2007-08 to 2011-02

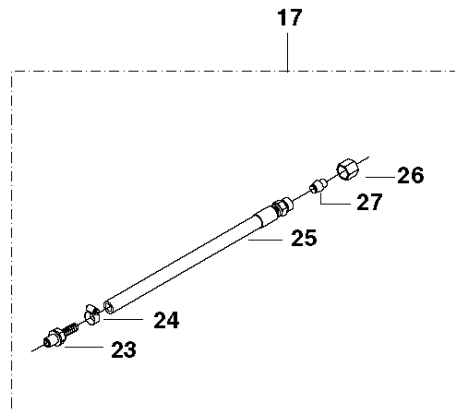
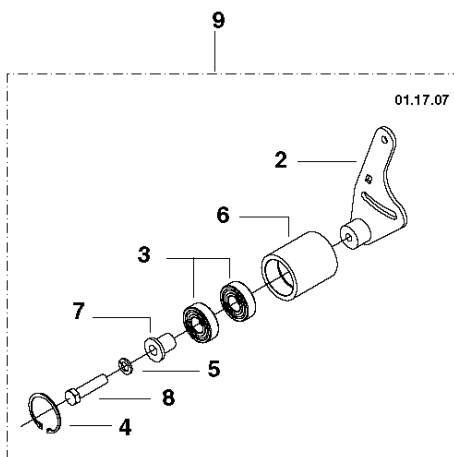
Ref	Part No	Description	Remark	QTY KIT
1	734 11 63-01	WASHER		3
2	542 20 21-22	BELT GUARD		1
3	735 11 64-01	SPRING WASHER		3
4	725 24 73-51	SCREW EHHM		3
5	542 20 21-49	BELT		1
6	504 06 83-01	BELT		1
7	542 20 41-81	OIL DRAIN ASSY		1
8	725 25 05-51	SCREW EHHM		2
9	735 11 73-01	SPRING WASHER		2
10	542 20 21-06	WASHER		2
11	586 09 11-01	SPACER		1
12	586 19 59-01	BELT TENSIONER		1
13	735 11 78-01	BEILAGSCHEIBE		1
14	731 43 22-01	HEXAGON THIN NUT		1
15	542 13 92-73	BALL BEARING		2
16	735 31 40-10	CIRCLIP		1
17	734 11 78-01	WASHER		1
18	541 20 81-95	IDLER SHEAVE		1
19	541 20 81-94	SPACER		1
20	725 25 46-51	SCREW EHHM		1
21	732 21 18-01	LOCK NUT		1
22	501 97 13-01	ADAPTER		1
23	539 30 00-72	CLAMP, HOSE, MAH-4 FUEL LINE		1
24	542 20 21-52	HOSE ASSY		1
25	542 16 76-22	NUT		1
26	542 16 73-06	CAP. BLANKING (OIL DRAIN) Z/P		1
27	542 16 90-65	DECAL		1
28	732 25 20-01	HEXAGON LOCKING NUT		4
29	734 11 72-01	WASHER		4
30	542 20 41-79	PLATE. ENGINE MOUNT PC H. GREY		1
31	542 16 11-96	ISOLATOR		2
32	725 25 01-51	SCREW EHHM		2
33	734 11 63-01	WASHER		1
34	586 30 82-01	BELT		1
35	542 20 41-81	OIL DRAIN ASSY		1
36	725 24 49-71	SCREW EHHM		2
37	541 20 51-97	BOLT		2
38	735 11 64-01	SPRING WASHER		2
40	725 54 57-01	SCREW IHSCM		1
41	542 13 97-68	SHSS. M8 X 6 DIN 916 GR12.9		4
42	586 23 93-01	DECAL		1
43	521 93 52-01	MUFFLER		1
44	539 91 27-57	KEY		1
45	542 16 90-65	DECAL		1
46	504 80 55-02	REPAIR KIT		1
47	504 73 65-04	PULLEY		1
47	504 73 65-02	PULLEY		1
48	504 80 55-01	REPAIR KIT		1
58	586 09 15-02	PLATE		1

ENGINE & IDLER 13 HP



WARNING
Muffler Is HOT!
May Cause Burns And / Or
Ignition Of Material
Avoid Contact!

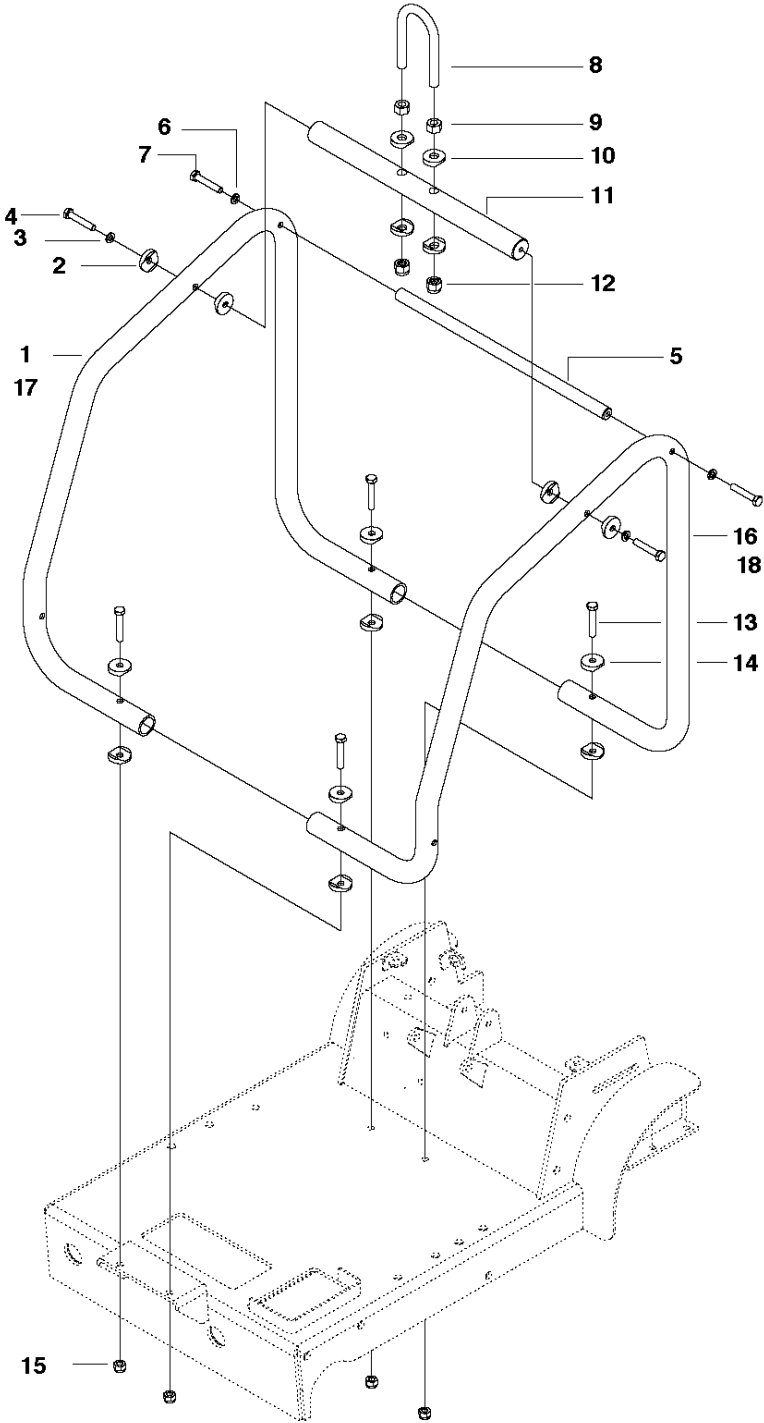
49- Kit, Deep Groove Pulley FS513



ENGINE & IDLER FS513/FS520/FS524, Valid to machines FS520-2149 and FS 524-1629, 2007-08 to 2011-02

Ref	Part No	Description	Remark	QTY KIT
2	541 20 81-90	PLATE. TENSIONING. BLACK		1
3	542 13 92-73	BALL BEARING		2
4	735 31 40-10	CIRCLIP		1
5	735 11 78-01	BEILAGSCHEIBE		1
6	541 20 81-95	IDLER SHEAVE		1
7	541 20 81-94	SPACER		1
8	725 25 42-51	SCREW EHHM		1
9	541 20 81-96	IDLER SHEAVE ASSEMBLY		1
10	735 11 64-01	SPRING WASHER		1
11	725 24 71-71	HHCS M8 X 1.25 X 100 GR8.8		1
12	542 20 21-22	BELT GUARD		1
13	725 24 73-51	SCREW EHHM		2
14	735 11 64-01	SPRING WASHER		2
15	734 11 63-01	WASHER		2
16	734 11 63-01	WASHER		1
17	542 20 21-51	OIL DRAIN ASSY		1
18	542 16 11-96	ISOLATOR		2
19	542 20 41-79	PLATE. ENGINE MOUNT PC H. GREY		1
20	725 25 05-51	SCREW EHHM		2
21	735 11 73-01	SPRING WASHER		2
22	542 20 21-06	WASHER		2
23	542 16 71-33	ADAPTER. M12 X 10MM HOSE BARB		1
24	539 30 00-72	CLAMP, HOSE, MAH-4 FUEL LINE		1
25	542 20 21-52	HOSE ASSY		1
26	542 16 76-22	NUT		1
27	542 16 73-06	CAP. BLANKING (OIL DRAIN) Z/P		1
28	732 25 20-01	HEXAGON LOCKING NUT		2
29	734 11 72-01	WASHER		2
30	734 11 72-01	WASHER		2
31	725 25 01-51	SCREW EHHM		2
32	542 13 97-68	SHSS. M8 X 6 DIN 916 GR12.9		4
33	539 91 27-57	KEY		1
34	504 73 65-06	PULLEY		1
35	542 20 21-51	OIL DRAIN ASSY		1
36	539 97 69-41	SCREW		1
37	543 04 47-32	RONDEL RESSOR 23X10,2X1/		1
38	541 20 51-97	BOLT		2
39	735 11 64-01	SPRING WASHER		2
40	541 20 81-96	IDLER SHEAVE ASSEMBLY		1
41	504 90 10-02	BELT GUARD		1
42	542 20 21-50	BELT		1
43	542 16 90-65	DECAL		1
44	542 16 90-65	DECAL		1
45	541 20 09-86	DEFLECTOR		1
46	729 53 40-01	SCREW CCRPANT		3
47	732 25 20-01	HEXAGON LOCKING NUT		2
48	734 11 72-01	WASHER		2
49	504 80 55-03	REPAIR KIT		1

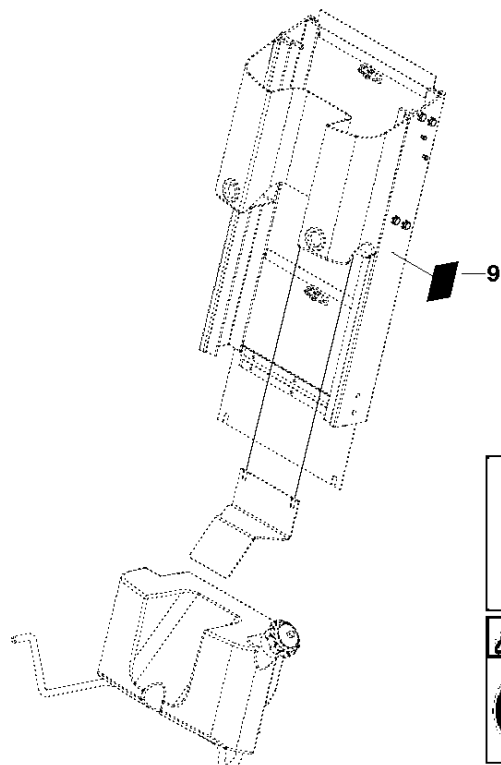
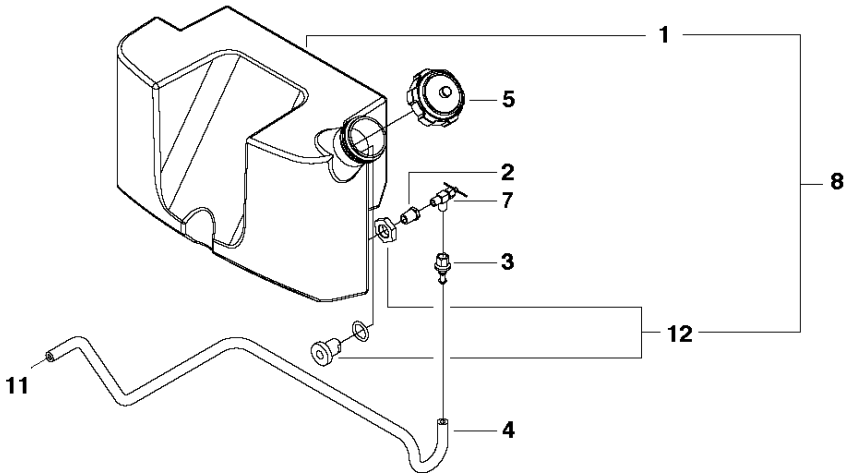
ENGINE CAGE



ENGINE CAGE FS513/FS520/FS524, Valid to machines FS520-2149 and FS 524-1629, 2007-08 to 2011-02

Ref	Part No	Description	Remark	QTY KIT
1	542 20 21-81	ENGINE CAGE. RIGHT. FINISHED		1
2	542 20 21-84	WASHER		4
3	735 11 64-01	SPRING WASHER		2
4	725 24 61-71	SCREW EHHM		2
5	542 20 21-85	BAR. TANK PIVOT. FINISHED		1
6	735 11 64-01	SPRING WASHER		2
7	725 24 61-71	SCREW EHHM		2
8	542 20 21-87	U-BOLT. Z/P		1
9	731 23 22-01	HEXAGON NUT		2
10	542 20 21-88	WASHER		4
11	542 20 21-86	BAR. LIFTING BAIL. FINISHED		1
12	732 25 22-01	HEXAGON LOCKING NUT		2
13	725 24 63-51	SCREW EHHM		4
14	542 20 21-84	WASHER		8
15	732 25 18-01	HEXAGON LOCKING NUT		4
16	542 20 21-82	ENGINE CAGE. LEFT. FINISHED		1
17	542 20 22-52	ENGINE CAGE. RIGHT. FINISHED		1
18	542 20 22-55	ENGINE CAGE. LEFT. FINISHED		1

FUEL TANK 20, 24 HP ONLY



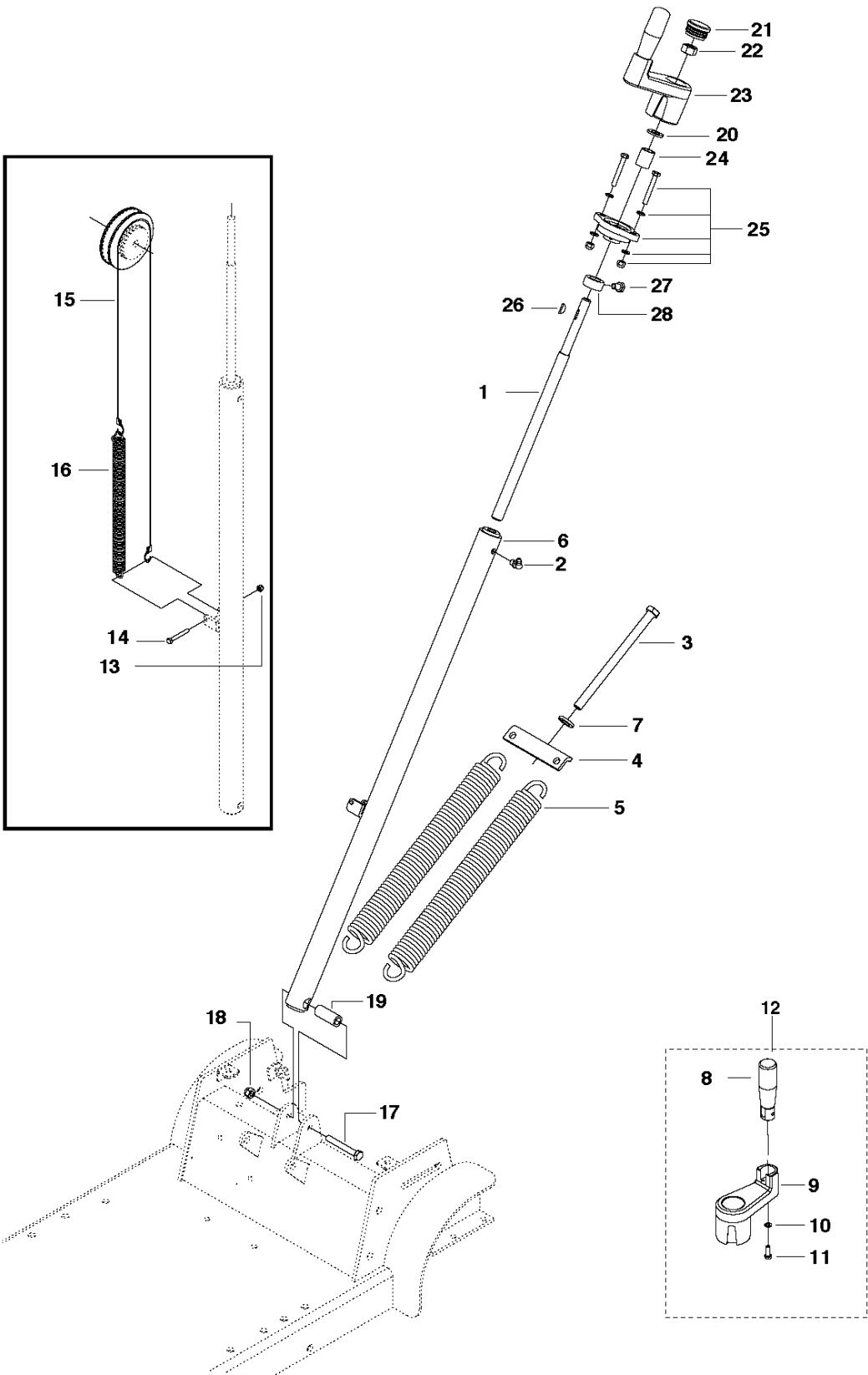
10

UNLEADED GASOLINE ONLY!
WARNING
NO SMOKING

FUEL TANKFS513/FS520/FS524, Valid to machines FS520-2149 and FS 524-1629, 2007-08 to 2011-02

Ref	Part No	Description	Remark	QTY KIT
1	541 20 82-12	FUEL TANK		1
2	542 19 03-93	BUSHING		1
3	542 20 41-18	FITTING		1
4	539 97 04-98	HOSE. FUEL 1/4"		1
5	542 18 31-06	GAS CAP W/O GAUGE/FS 6600D		1
7	542 19 03-92	VALVE. FUEL. .25SAE X .13MNPT		1
8	542 20 41-42	FUEL TANK		1
9	542 19 06-39	DECAL		1
10	542 19 06-39	DECAL		1
11	542 20 41-41	FUEL TANK ASSY		1
12	585 18 78-01	FITTING		1

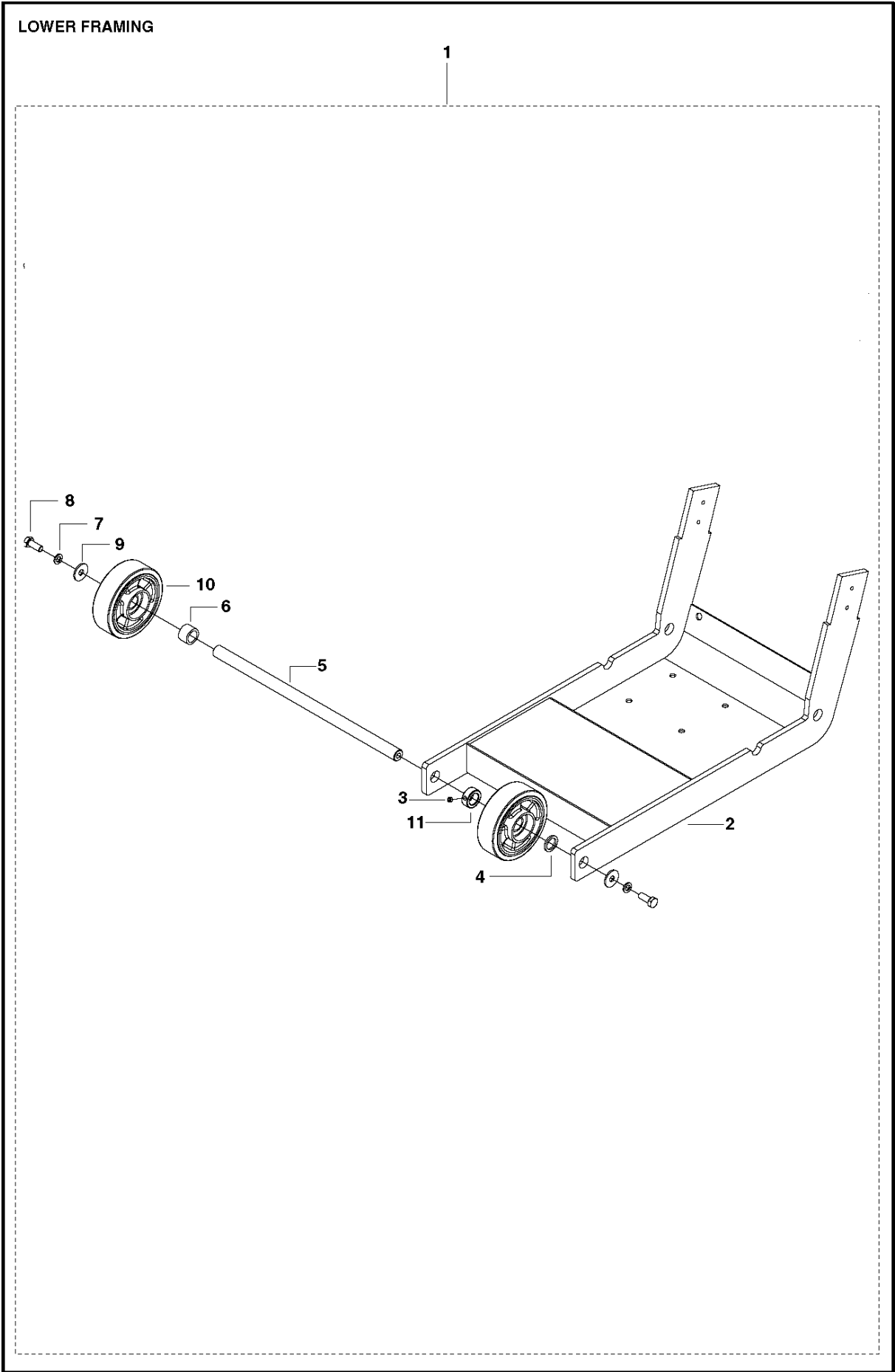
SCREW FEED



HEIGHT ADJUSTMENT
2007-08 to 2011-02

FS513/FS520/FS524, Valid to machines FS520-2149 and FS 524-1629,

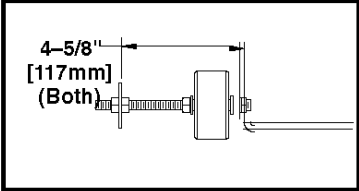
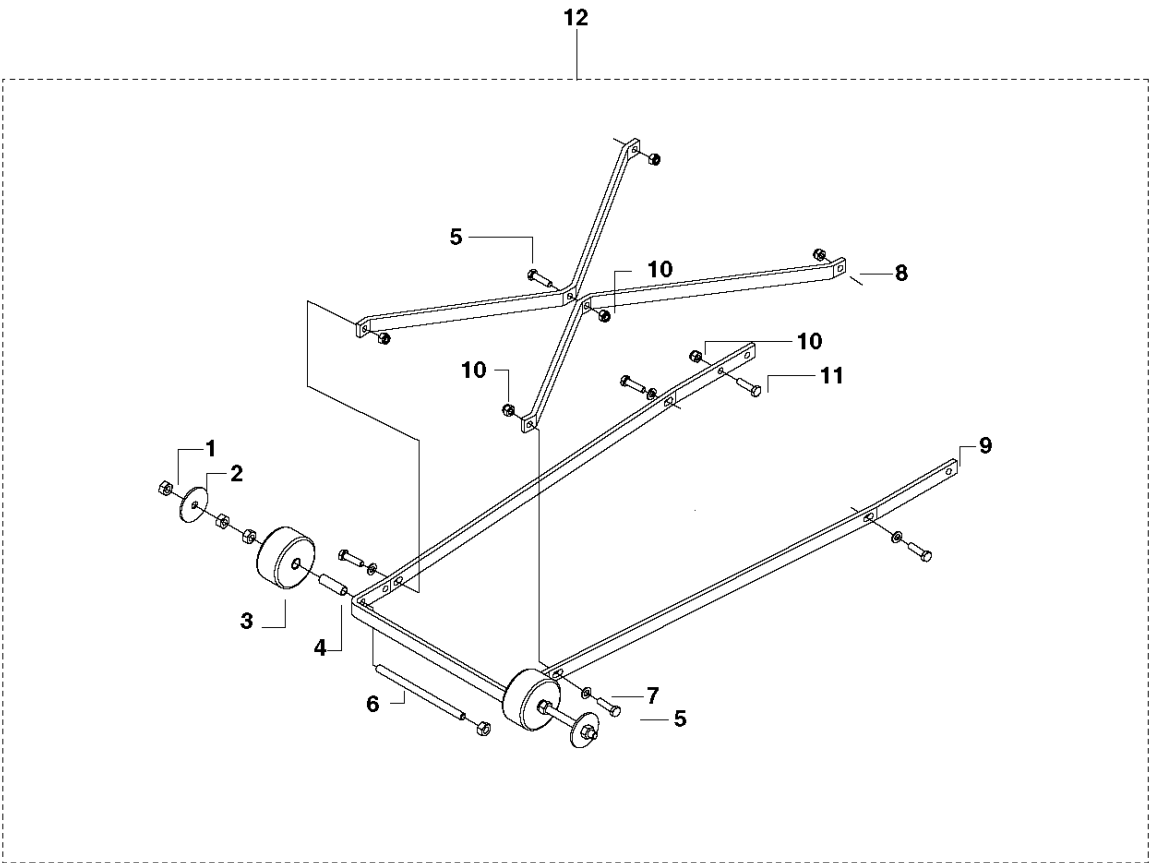
Ref	Part No	Description	Remark	QTY KIT
1	542 20 41-14	SCREW		1
2	542 20 22-16	GREASE		1
3	542 20 23-00	HHCS M12X1.75X190 G8.8 DIN 933		1
4	542 20 21-66	BRACKET		1
5	542 20 21-65	SPRING		2
6	541 20 72-09	SCREW		1
7	734 11 78-01	WASHER		1
8	541 20 71-76	HAND CRANK ASSEMBLY		1
9	504 20 75-01	HANDLE		1
10	734 11 46-01	WASHER		1
11	725 23 29-71	SCREW EHHM		1
12	541 20 71-61	HANDLE		1
13	732 25 16-01	HEXAGON LOCKING NUT		1
14	725 23 79-51	SCREW EHHM		1
15	542 20 41-16	CABLE ASSY		1
16	542 20 22-83	SPRING		1
17	725 25 03-51	SCREW EHHM		1
18	732 25 20-01	HEXAGON LOCKING NUT		1
19	542 20 23-79	BUSHING		1
20	734 11 78-01	WASHER		1
21	543 04 60-31	EMBOUT P NOIR D/35/		1
22	539 99 02-58	NUT		1
23	541 20 71-61	HANDLE		1
24	542 20 21-16	SPACER		1
25	585 57 50-01	BEARING KIT		1
26	539 30 00-92	WOODRUFF KEY		4
27	725 24 47-71	SCREW EHHM		2
28	542 20 23-38	COLLAR. SCREW. Z/P		1



LOWER FRAME FS513/FS520/FS524, Valid to machines FS520-2149 and FS 524-1629, 2007-08 to 2011-02

Ref	Part No	Description	Remark	QTY KIT
1	501 04 87-01	FRAME		1
2	501 04 76-02	FRAME		1
3	542 13 97-68	SHSS. M8 X 6 DIN 916 GR12.9		1
4	542 20 20-62	WASHER		1
5	501 04 83-01	AXLE		1
6	501 04 85-02	SPACER		1
7	735 11 73-01	SPRING WASHER		2
8	725 24 93-71	SCREW EHHM		2
9	734 11 74-41	WASHER		2
10	543 04 59-49	WHEEL		2
11	542 20 24-23	COLLAR		1

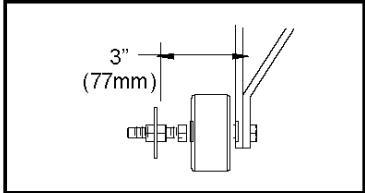
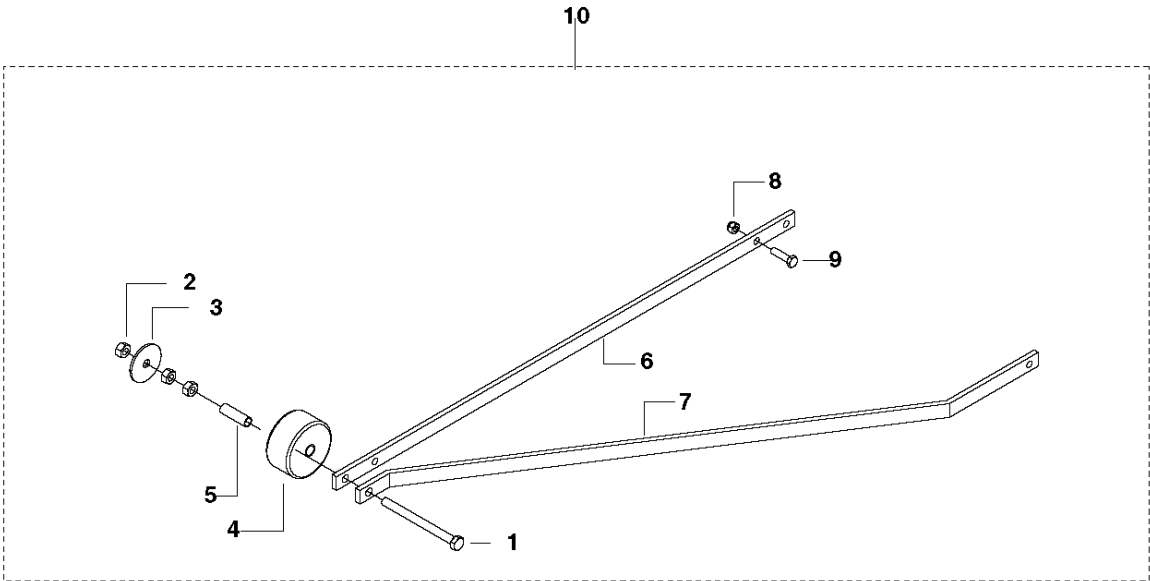
POINTER - DUAL



POINTER - DUAL FS513/FS520/FS524, Valid to machines FS520-2149 and FS 524-1629, 2007-08 to 2011-02

Ref	Part No	Description	Remark	QTY KIT
1	731 23 20-01	HEXAGON NUT		8
2	542 20 21-06	WASHER		2
3	543 04 59-32	WHEEL		2
4	542 20 20-75	BUSHING		2
5	725 24 55-71	SCREW EHHM		6
6	542 20 20-77	ROD		2
7	734 11 63-01	WASHER		4
8	542 20 22-74	BAR PLATE		2
9	542 20 22-71	BAR. OUTSIDE. FINISHED		1
10	732 25 18-01	HEXAGON LOCKING NUT		4
11	732 25 18-71	HEXAGON LOCKING NUT		1
12	542 20 22-70	POINTER. DUAL. ASSY		1

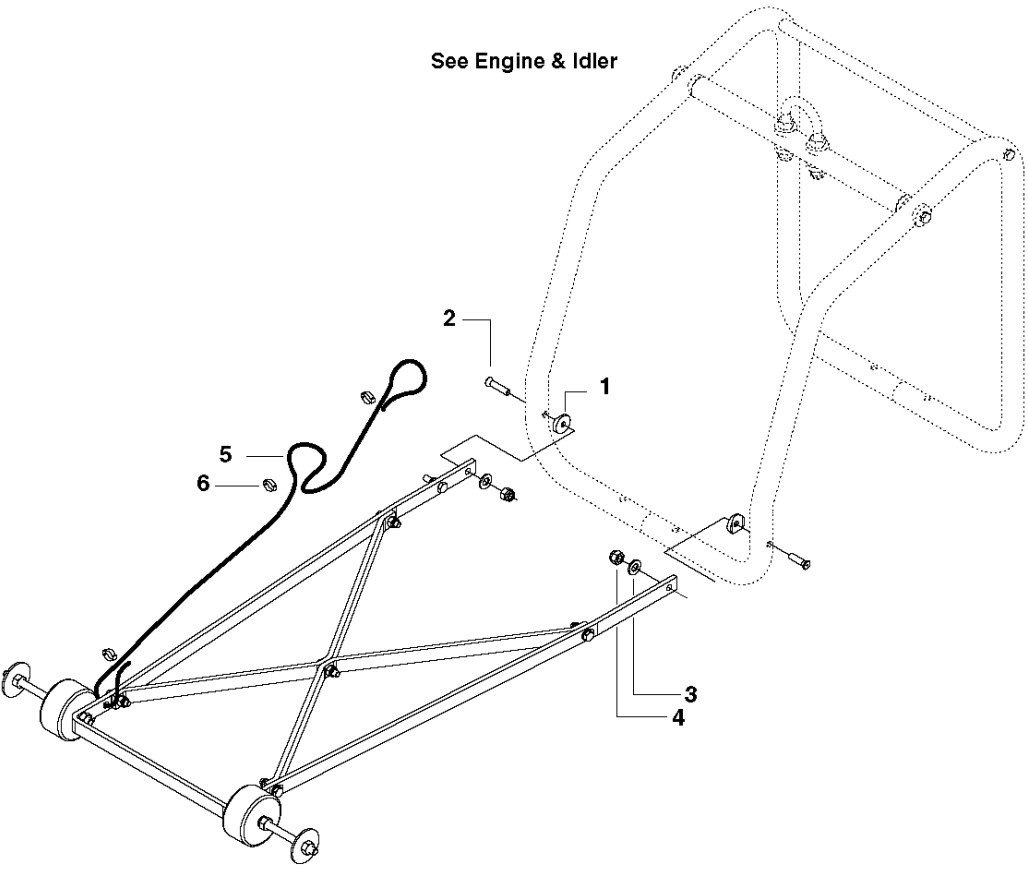
POINTER - SINGLE



POINTER - SINGLE FS513/FS520/FS524, Valid to machines FS520-2149 and FS 524-1629, 2007-08 to 2011-02

Ref	Part No	Description	Remark	QTY KIT
1	725 25 15-71	SCREW EHHM		1
2	731 23 20-01	HEXAGON NUT		3
3	542 20 21-06	WASHER		1
4	543 04 59-32	WHEEL		1
5	542 20 20-75	BUSHING		1
6	542 20 21-31	BAR. STRAIGHT. FINISHED		1
7	542 20 21-30	BAR. BENT. FINISHED		1
8	732 25 18-01	HEXAGON LOCKING NUT		1
9	725 24 55-71	SCREW EHHM		1
10	542 20 20-78	POINTER		1

POINTER ATTACHMENT - DUAL POINTER

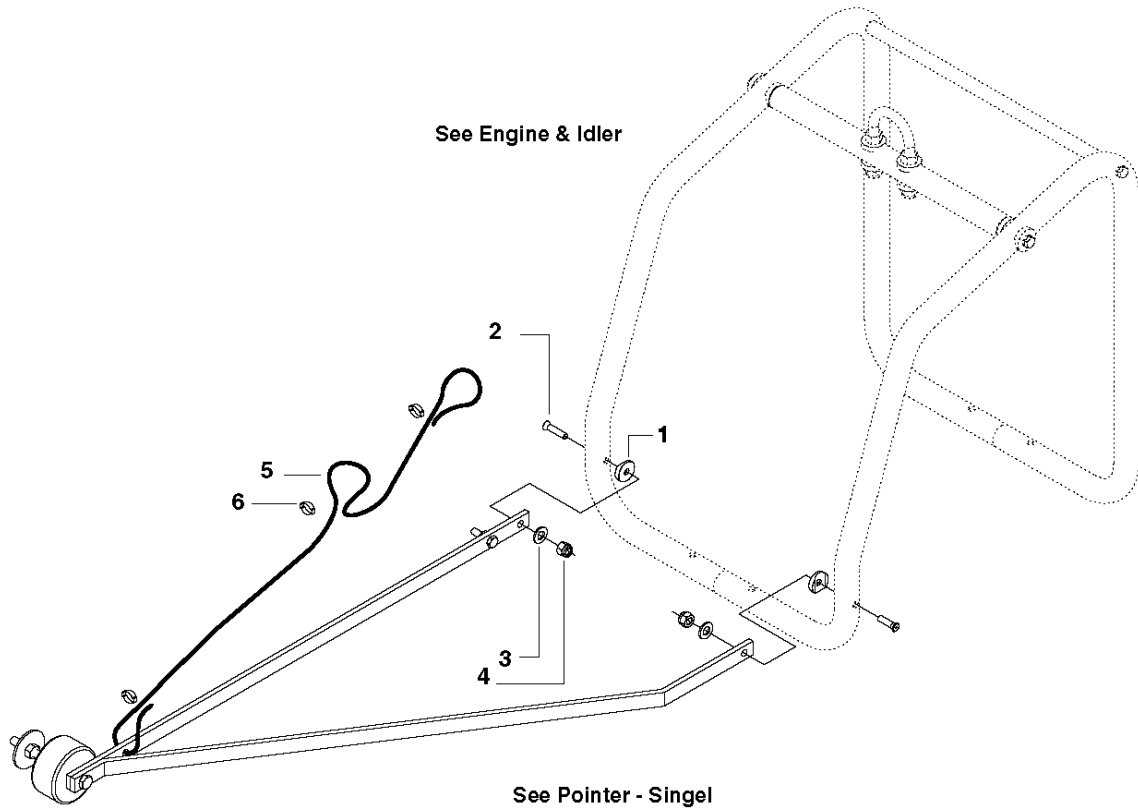


POINTER ATTACHMENT - DUAL POINTER FS513/FS520/FS524, Valid to machines FS520-2149 and FS 524-1629, 2007-08 to 2011-02

Ref	Part No	Description	Remark	QTY KIT
1	542 20 21-84	WASHER		2
2	725 64 61-01	SCREW IHCSFM		2
3	734 11 63-01	WASHER		2
4	732 25 18-01	HEXAGON LOCKING NUT		2
5	542 17 21-37	ROPE. POINTER		1
6	542 16 27-61	CLAMP. CORD		3

POINTER ATTACHMENT - SINGLE POINTER FS513/FS520/FS524, Valid to machines FS520-2149 and FS 524-1629, 2007-08 to 2011-02

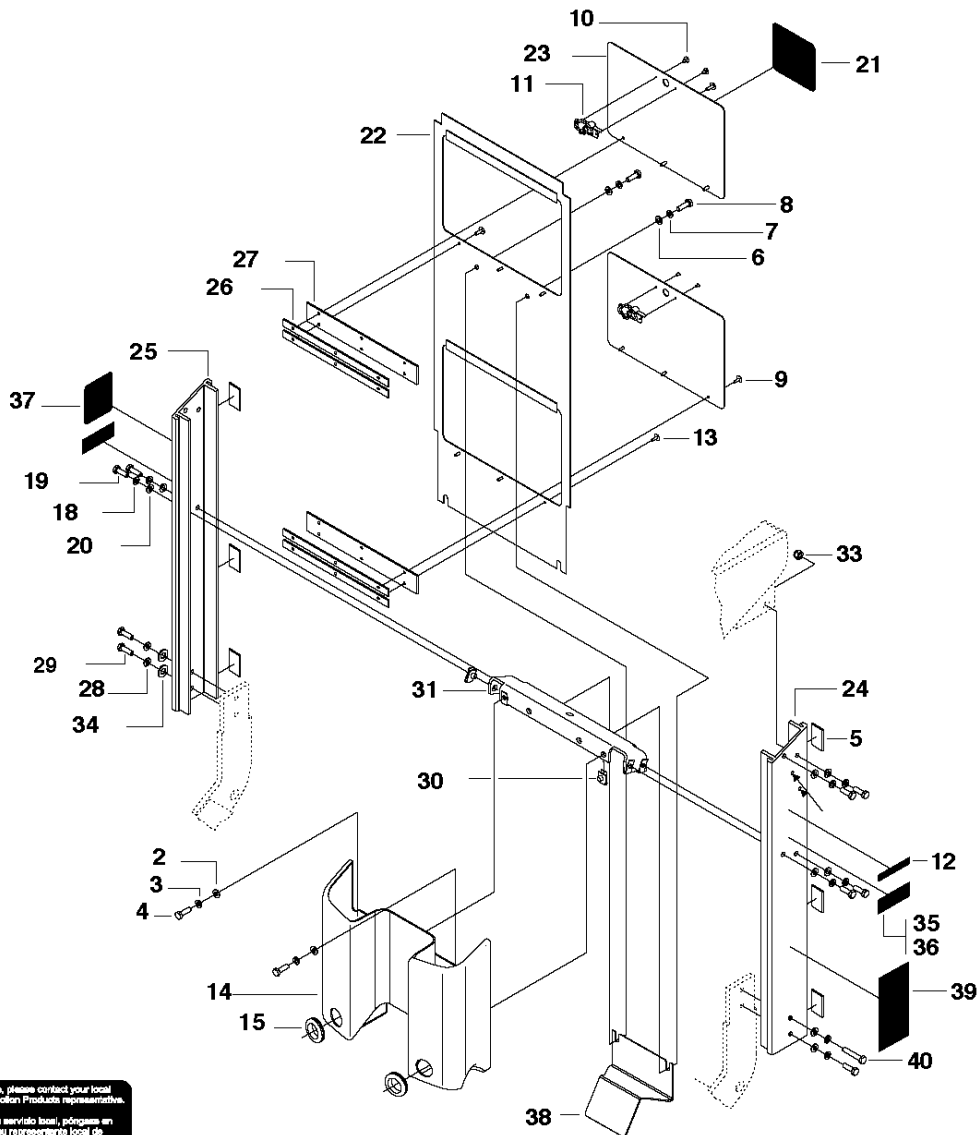
POINTER ATTACHMENT - SINGLE POINTER



POINTER ATTACHMENT - SINGLE POINTER FS513/FS520/FS524, Valid to machines FS520-2149 and FS 524-1629, 2007-08 to 2011-02

Ref	Part No	Description	Remark	QTY KIT
1	542 20 21-84	WASHER		2
2	725 64 61-01	SCREW IHCSFM		2
3	734 11 63-01	WASHER		2
4	732 25 18-01	HEXAGON LOCKING NUT		2
5	542 17 21-37	ROPE. POINTER		1
6	542 16 27-61	CLAMP. CORD		3

TOOLBOX 20, 24 HP



For local service, please contact your local Husqvarna Construction Products representative.

Para efectuar un servicio local, póngase en contacto con su representante local de Husqvarna Construction Products.

Pour toute réparation, contactez le représentant local de Husqvarna Construction Products.

Für Service vor Ort wenden Sie sich bitte an Ihren örtlichen Vertreter von Husqvarna Construction Products.

Neem voor plaatselijke service contact op met uw plaatselijke vertegenwoordiger van de constructieproducten van Husqvarna.

Per assistenza, rivolgersi al rappresentante di zona della Husqvarna Construction Products.

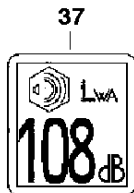
För service på platsen, kontakta ditt lokala representant för Husqvarna Construction Products.

Para obter serviço técnico local, contactar o representante de Husqvarna Construction Products local.

Europe / Europe:
Husqvarna
Construction Products
SE-433 91 Partille, Sweden
Tel: +46 31 94 90 00
Fax: +46 31 94 00 00

Asia Pacific:
Husqvarna
Construction Products,
Australia Pty Ltd
25-31 Kinross Avenue,
North Plympton, Adelaide,
South Australia 5037
Tel: +61 (0)8 8376 1000
Fax: +61 (0)8 8371 0990

The Americas:
Husqvarna Construction Products,
North America
17400 Wood 119th Street,
Clatha, Kansas 66081 USA
Tel-Free Tollfree: 800-526-2040,
Telephone: 913-828-1390
Fax: 913-435-7938



1
PATENT PENDING

16
FS 520

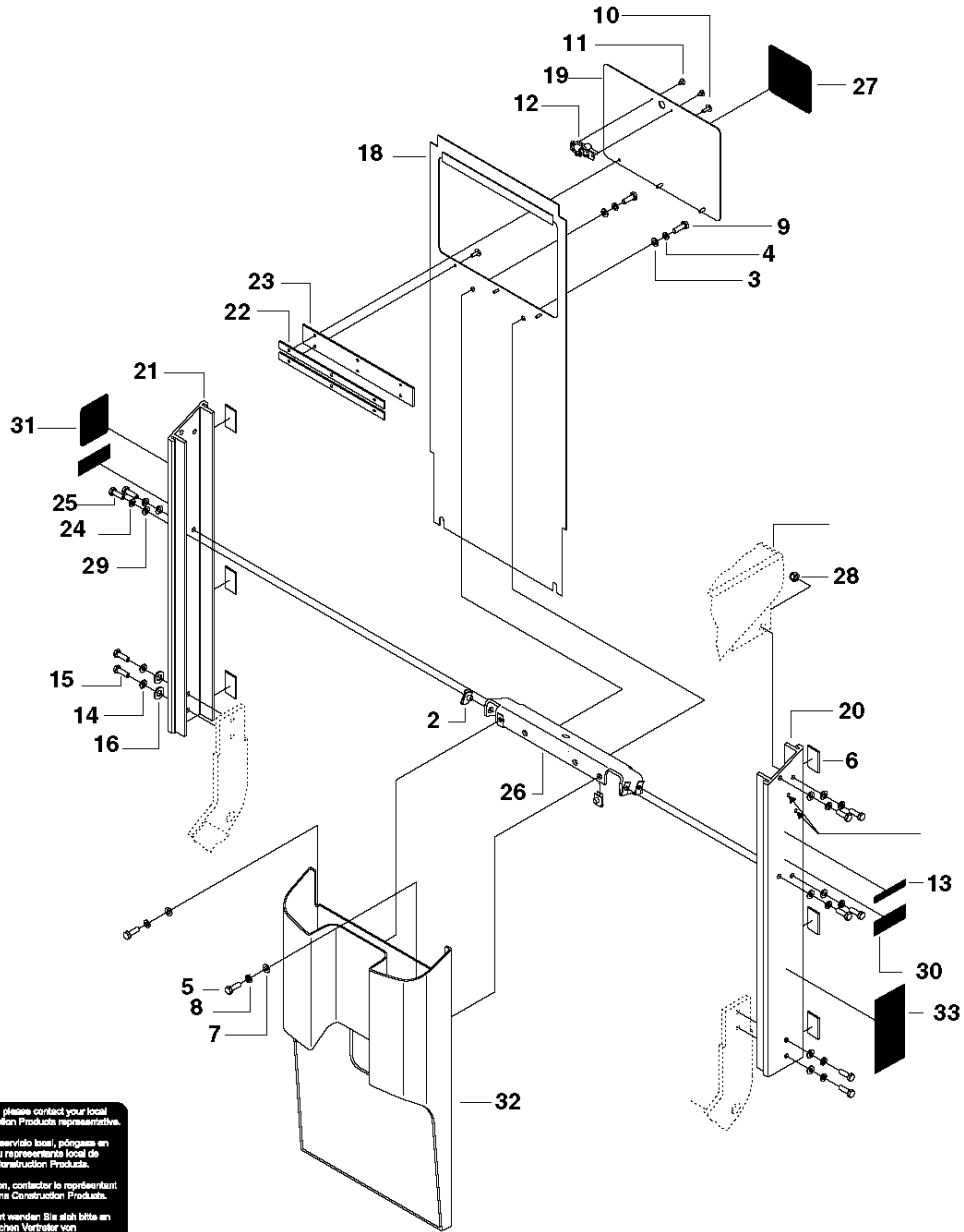
17
FS 524

32

TOOLBOX FS513/FS520/FS524, Valid to machines FS520-2149 and FS 524-1629, 2007-08 to 2011-02

Ref	Part No	Description	Remark	QTY KIT
40	725 24 60-71	SCREW EHHM		1
1	542 16 12-35	DECAL		1
2	734 11 63-01	WASHER		2
3	735 11 64-01	SPRING WASHER		2
4	725 24 53-71	SCREW EHHM		2
5	542 20 23-07	PAD. RESILIENT		6
6	734 11 63-01	WASHER		2
7	735 11 64-01	SPRING WASHER		2
8	725 24 53-71	SCREW EHHM		4
9	722 79 44-02	RIVET		6
10	722 78 18-03	BLIND RIVET		4
11	541 20 82-81	LATCH		2
12	542 16 12-35	DECAL		1
13	722 79 44-02	RIVET		6
14	501 13 93-01	CYLINDER COVER		1
15	586 58 07-01	GROMMET		2
16	542 19 07-09	DECAL		1
17	542 19 07-10	DECAL		1
18	735 11 64-01	SPRING WASHER		4
19	725 24 53-71	SCREW EHHM		4
20	734 11 63-01	WASHER		4
21	542 19 05-93	DECAL		1
22	542 20 41-67	COVER		1
23	542 20 23-50	DOOR. TOOLBOX - H. ORG		2
24	542 20 23-49	SIDE LEFT - H. ORG.		1
25	542 20 23-48	SIDE RIGHT - H. ORG.		1
26	542 20 21-71	PLATE. RIVET. Z/P		4
27	541 20 82-78	HINGE		2
28	735 11 64-01	SPRING WASHER		4
29	725 24 53-71	SCREW EHHM		3
30	542 20 20-99	U-NUT. M8X1.25(1.5-5.5MM MATL)		8
31	542 20 23-52	BOTTOM. TOOLBOX- H. ORG.		1
32	542 19 05-93	DECAL		1
33	732 25 18-01	HEXAGON LOCKING NUT		4
34	734 11 63-01	WASHER		4
35	542 19 07-09	DECAL		2
36	542 19 07-01	DECAL		2
37	543 04 57-88	NOISE STICKER 108/		1
38	542 20 41-74	BRACKET		1
39	542 19 06-46	DECAL		1

TOOLBOX 13 HP



For local service, please contact your local Husqvarna Construction Products representative.

Para efectuar un servicio local, póngase en contacto con su representante local de Husqvarna Construction Products.

Pour toute réparation, contactez le représentant local de Husqvarna Construction Products.

Für Service vor Ort wenden Sie sich bitte an Ihren örtlichen Vertreter von Husqvarna Construction Products.

Neem voor plaatselijke service contact op met uw plaatselijke vertegenwoordiger van de constructieproducten van Husqvarna.

Per assistenza, rivolgersi al rappresentante di zona della Husqvarna Construction Products.

För service på platsen, kontakta ditt lokala representant för Husqvarna Construction Products.

Para obter serviço técnico local, contactar o representante de Husqvarna Construction Products local.

Europe / Europe:

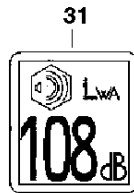
Husqvarna
Construction Products
SE-433 91 Partille, Sweden
Tel: +46 31 94 90 00
Fax: +46 31 94 00 00

Asia Pacific:

Husqvarna
Construction Products,
Australia Pty Ltd
25-31 Kinross Avenue,
North Plympton, Adelaide,
South Australia 5037
Tel: +61 (0)8 8376 1000
Fax: +61 (0)8 8371 0990

The Americas:

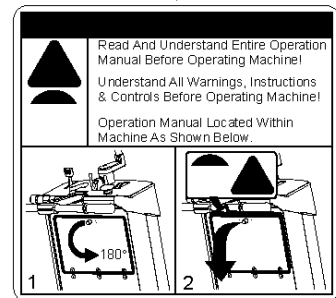
Husqvarna Construction Products,
North America
17400 Wood 119th Street,
Clayton, Kansas 66081 USA
Tel-Free Tollfree: 800-526-2040,
Telephone: 913-828-1390
Fax: 913-435-7938



1

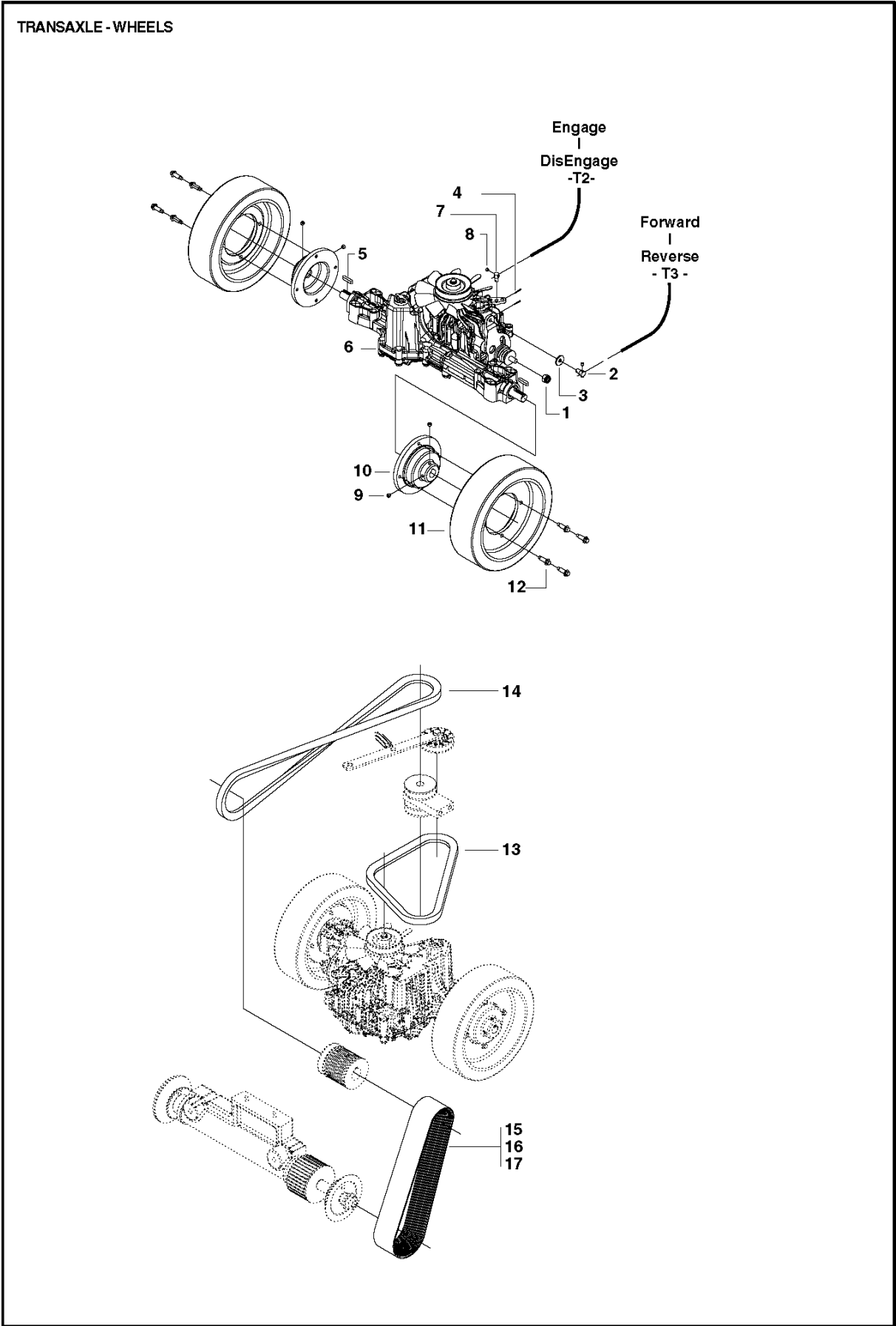
PATENT PENDING

FS 513



TOOLBOX FS513/FS520/FS524, Valid to machines FS520-2149 and FS 524-1629, 2007-08 to 2011-02

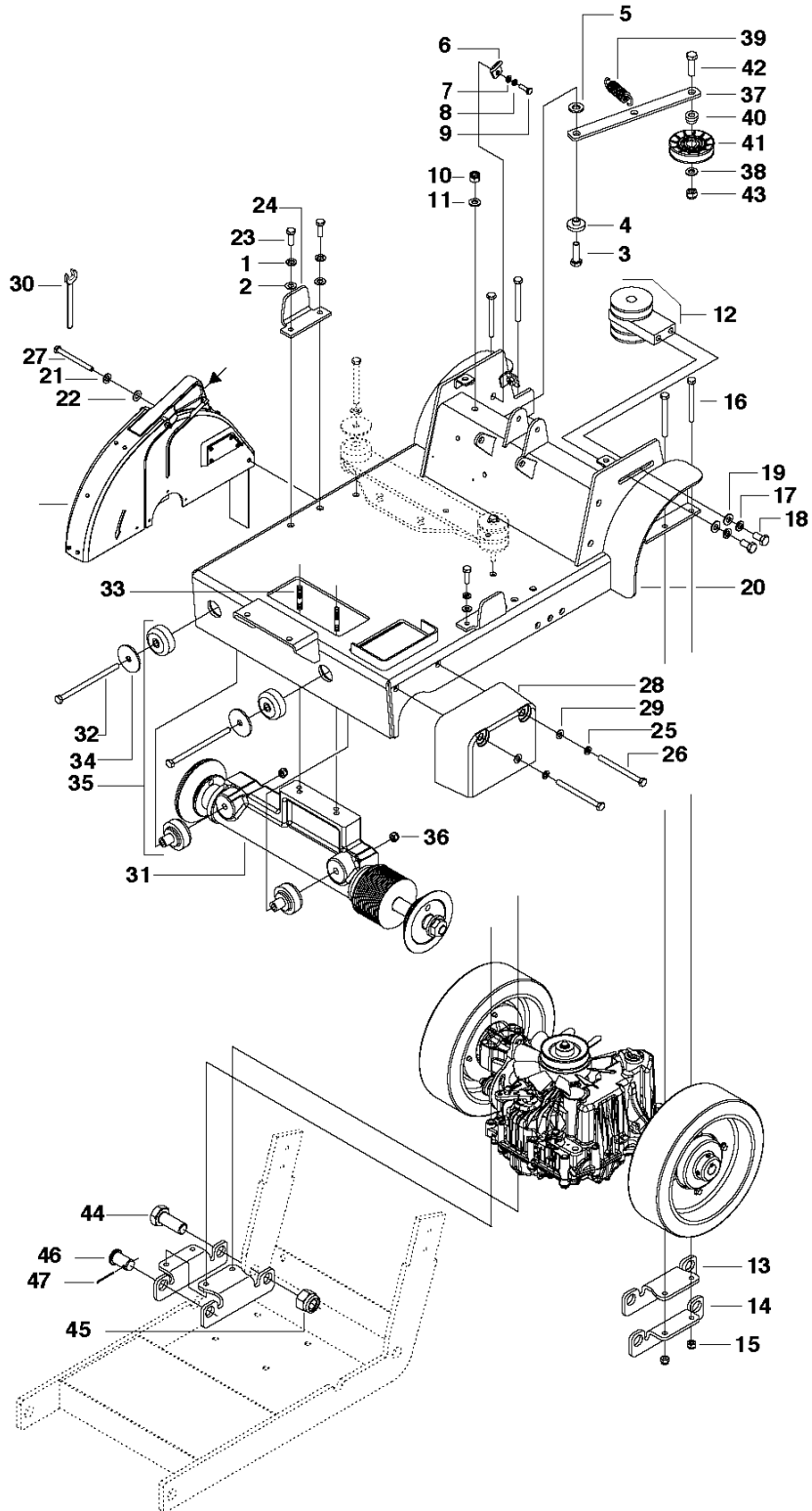
Ref	Part No	Description	Remark	QTY KIT
1	542 16 12-35	DECAL		1
2	542 20 20-99	U-NUT. M8X1.25(1.5-5.5MM MATL)		8
3	734 11 63-01	WASHER		2
4	735 11 64-01	SPRING WASHER		2
5	725 24 53-71	SCREW EHHM		2
6	542 20 23-07	PAD. RESILIENT		6
7	734 11 63-01	WASHER		2
8	735 11 64-01	SPRING WASHER		2
9	725 24 53-71	SCREW EHHM		4
10	722 79 44-02	RIVET		3
11	722 78 18-03	BLIND RIVET		4
12	541 20 82-81	LATCH		2
13	542 16 12-35	DECAL		1
14	735 11 64-01	SPRING WASHER		4
15	725 24 53-71	SCREW EHHM		4
16	734 11 63-01	WASHER		4
17	542 19 05-93	DECAL		1
18	504 20 21-03	COVER		1
19	542 20 23-50	DOOR. TOOLBOX - H. ORG		2
20	542 20 23-49	SIDE LEFT - H. ORG.		1
21	542 20 23-48	SIDE RIGHT - H. ORG.		1
22	542 20 21-71	PLATE. RIVET. Z/P		4
23	541 20 82-78	HINGE		2
24	735 11 64-01	SPRING WASHER		4
25	725 24 53-71	SCREW EHHM		4
26	542 20 23-52	BOTTOM. TOOLBOX- H. ORG.		1
27	542 19 05-93	DECAL		1
28	732 25 18-01	HEXAGON LOCKING NUT		4
29	734 11 63-01	WASHER		4
30	542 19 07-08	DECAL		2
31	543 04 57-88	NOISE STICKER 108/		1
32	502 28 91-01	COVER		1
33	542 19 06-46	DECAL		1



TRANSAXLE - WHEELS FS513/FS520/FS524, Valid to machines FS520-2149 and FS 524-1629, 2007-08 to 2011-02

Ref	Part No	Description	Remark	QTY KIT
1	732 25 20-01	HEXAGON LOCKING NUT		1
2	542 20 23-32	PIN. PIVOT		1
3	734 11 63-01	WASHER		1
4	721 61 51-01	STIFT 2 X 14 DIN94		2
5	542 20 41-43	KEY		2
6	541 20 83-38	TRANSAXLE		1
7	542 20 23-31	PIN. PIVOT		1
8	542 13 97-69	SHSS. M6 X 6 DIN916 GR 12.9		2
9	542 13 97-68	SHSS. M8 X 6 DIN 916 GR12.9		4
10	541 20 72-34	HUB		2
11	586 44 28-01	WHEEL		2
12	542 19 90-53	SCREW		8
13	542 20 41-17	BELT		1
14	541 20 10-11	BELT		1
15	542 20 21-50	BELT	FS 513	1
16	542 20 21-49	BELT	FS 520	1
17	504 06 83-01	BELT	FS 524	1

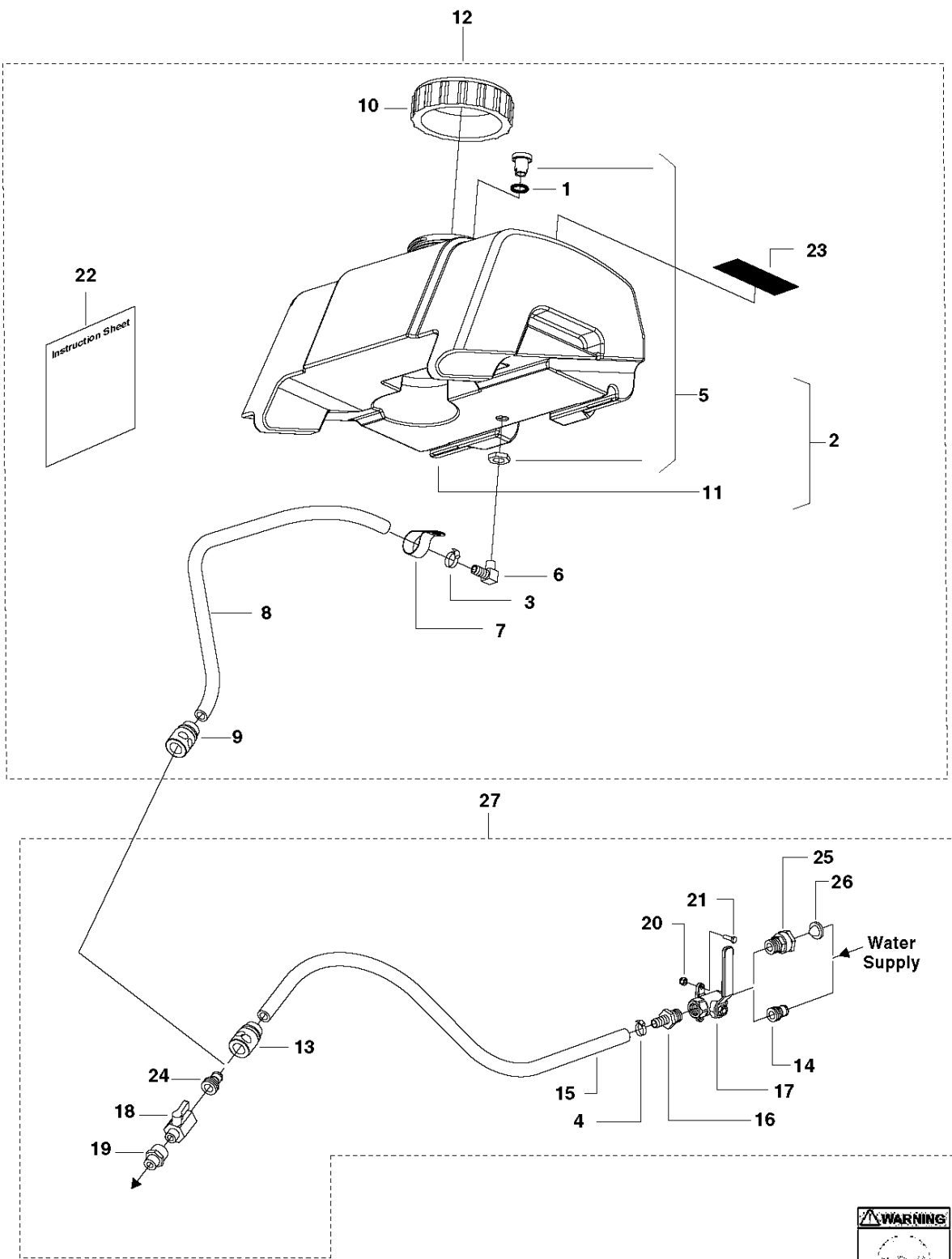
UPPER FRAME



UPPER FRAME FS513/FS520/FS524, Valid to machines FS520-2149 and FS 524-1629, 2007-08 to 2011-02

Ref	Part No	Description	Remark	QTY KIT
1	735 11 64-01	SPRING WASHER		4
2	734 11 63-01	WASHER		4
3	725 24 95-71	SCREW EHHM		1
4	504 11 10-02	BUSHING		1
5	504 11 13-02	SPACER		1
6	542 20 31-17	SPRING ANCHOR. Z/P		1
7	734 11 52-01	WASHER		1
8	735 11 53-01	WASHER		1
9	725 23 70-71	SCREW EHHM		1
10	732 25 20-01	HEXAGON LOCKING NUT		1
11	734 11 72-01	WASHER		1
12	504 73 66-03	PULLEY		1
13	541 20 72-12	BRACKET		2
14	541 20 72-14	BRACKET		2
15	732 25 18-01	HEXAGON LOCKING NUT		4
16	725 24 67-51	SCREW EHHM		4
17	735 11 73-01	SPRING WASHER		2
18	725 24 91-71	SCREW EHHM		2
19	734 11 72-01	WASHER		2
20	542 20 41-40	BASE WELDMENT HUSQ. ORANGE		1
21	735 11 64-01	SPRING WASHER		1
22	734 11 63-01	WASHER		1
23	725 24 53-71	SCREW EHHM		4
24	542 20 41-85	SPADE. BLADE GUARD PC H. GREY		2
25	735 11 64-01	SPRING WASHER		2
26	725 24 71-51	SCREW EHHM		2
27	725 24 71-71	HHCS M8 X 1.25 X 100 GR8.8		1
28	542 20 23-74	SHAFT GUARD- PC H. GREY		1
29	734 11 63-01	WASHER		2
30	543 04 58-91	WRENCH		1
31	541 20 72-41	BLADE SHAFT		1
32	542 18 44-55	HHCS. M10X1.5X130MM Z/P		2
33	542 20 22-89	STUD		2
34	542 20 21-06	WASHER		2
35	542 16 11-96	ISOLATOR		2
36	732 25 20-01	HEXAGON LOCKING NUT		2
37	541 20 72-29	BAR. IDLER. BLACK		1
38	734 11 72-01	WASHER		1
39	542 20 23-33	SPRING. TENSIONING		1
40	542 20 41-37	BUSHING		1
41	542 16 77-63	PULLEY		1
42	725 24 99-71	SCREW EHHM		1
43	732 25 20-01	HEXAGON LOCKING NUT		1
44	542 20 41-35	HHCS. M20X2.5 X 50MM LG G10.9		2
45	543 07 40-65	NUT		2
46	542 20 41-21	PIN. CLEVIS 20MM X 34MM. Z/P		2
47	721 62 14-01	SPLIT PIN		2

WATER SYSTEM - 13 & 20 - 24 HP



WARNING

Full Tank Only as Shown

DO NOT Fill Tank With Gasoline Or Flammable Liquids. Always Use Correct Fuel

23

WATER SYSTEM FS513/FS520/FS524, Valid to machines FS520-2149 and FS 524-1629, 2007-08 to 2011-02

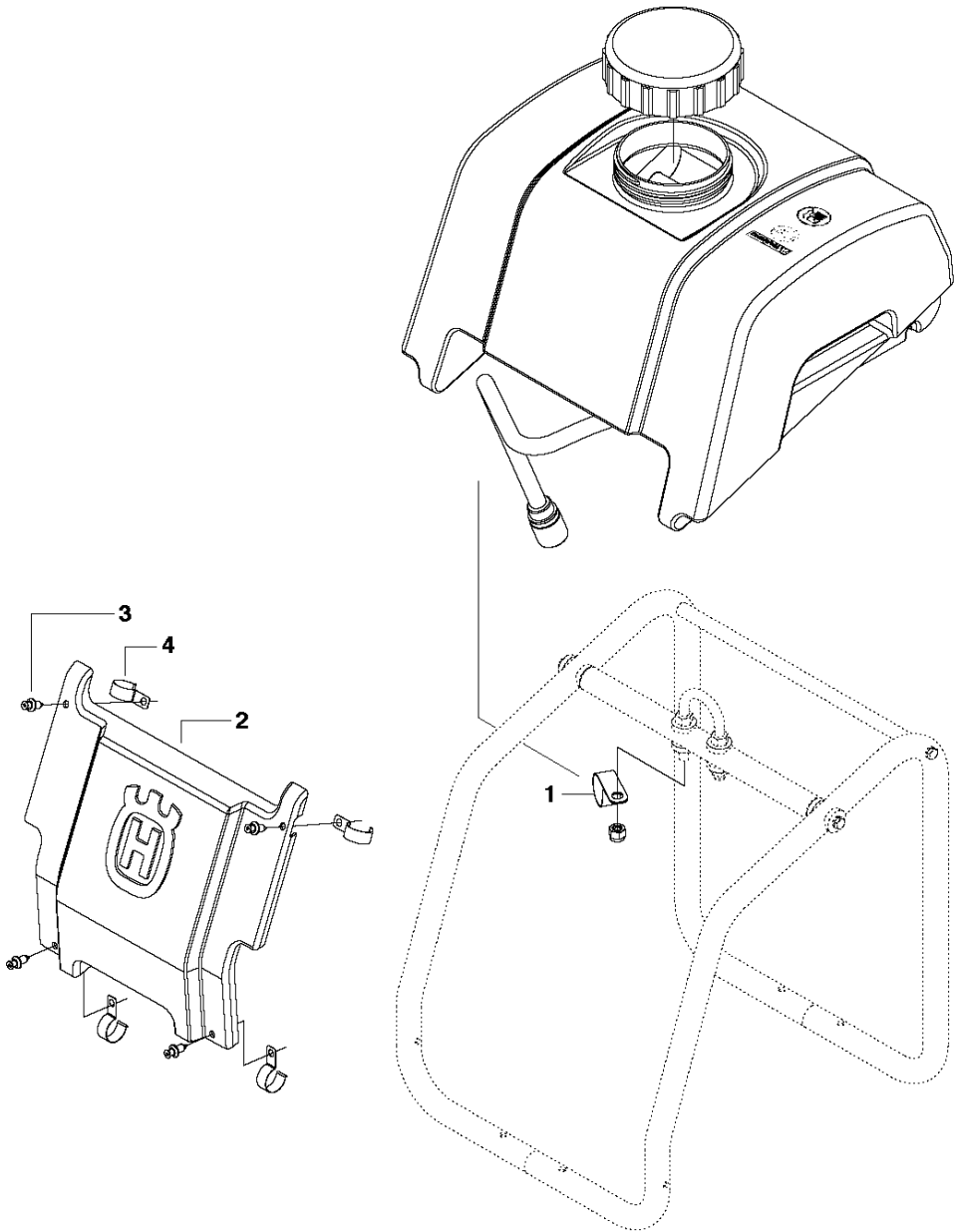
Ref	Part No	Description	Remark	QTY KIT
1	588 45 10-01	O-RING		1
2	542 20 23-20	TANK		1
3	543 85 03-44	CLIP		1
4	543 85 03-44	CLIP		1
5	542 19 61-84	ASSY. TANK FITTING		1
6	543 85 01-31	FITTING		1
7	542 20 23-11	BRACKET		1
8	543 04 55-80	TUY TRICOCLAIR AL 12*18/		1
9	543 04 56-12	QUICK COUPLING		1
10	541 20 82-84	HUB CAP		1
11	542 20 20-93	TANK		1
12	541 20 82-86	WATER TANK		1
13	543 04 56-12	QUICK COUPLING		1
14	543 85 03-59	ADAPTER		1
15	543 04 55-80	TUY TRICOCLAIR AL 12*18/		1
16	542 20 23-21	FITNG 1/2" MNPT X 12 DIA BARB		1
17	542 13 95-37	VALVE. WATER. 1/2"		1
18	543 04 55-39	COUPLING		1
19	542 20 23-40	FITTING		1
20	732 25 12-01	HEXAGON LOCKING NUT		2
21	725 22 95-71	SCREW EHHM		2
22	542 20 11-23	INSTR SHEET:WATER TANK INSTALL		1
23	542 19 06-17	DECAL		1
24	543 04 56-10	ADAPTER		1
25	542 20 23-08	FITTING		1
26	542 04 56-40	FS900T RING/		1
27	542 20 23-15	SIDE LAMINATE		1

WATER TANK & NOSE PIECE

FS513/FS520/FS524, Valid to machines FS520-2149 and FS 524-

1629, 2007-08 to 2011-02

WATER TANK & NOSE PIECE 13 HP



WATER TANK & NOSE PIECE FS513/FS520/FS524, Valid to machines FS520-2149 and FS 524-1629, 2007-08 to 2011-02

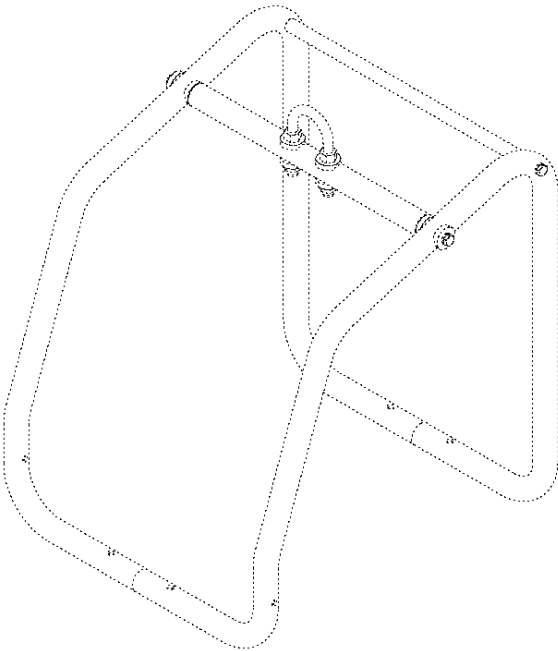
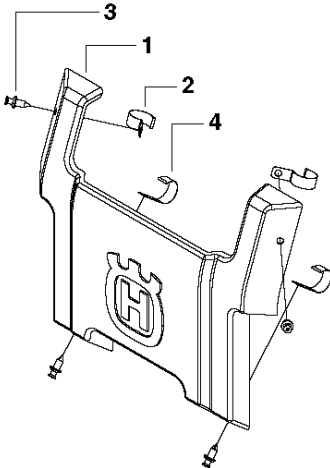
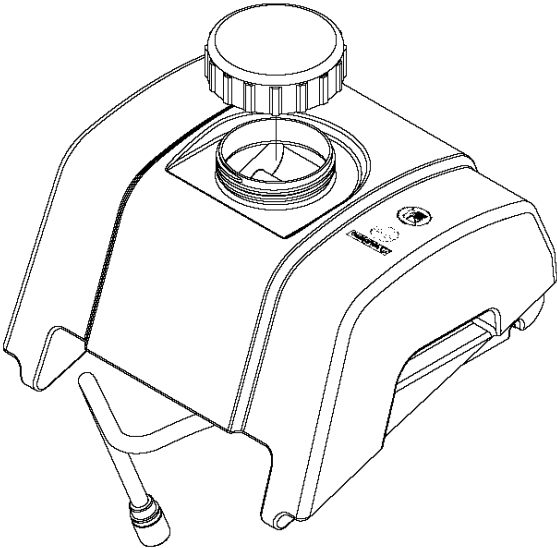
Ref	Part No	Description	Remark	QTY KIT
1	542 20 23-11	BRACKET		1
2	542 20 41-49	NOSE PIECE - HUSQVARNA		1
3	542 20 21-28	CLIP		4
4	542 16 66-24	BOLT		4

WATER TANK & NOSE PIECE

FS513/FS520/FS524, Valid to machines FS520-2149 and FS 524-

1629, 2007-08 to 2011-02

WATER TANK & NOSE PIECE 20, 24 HP



WATER TANK & NOSE PIECE FS513/FS520/FS524, Valid to machines FS520-2149 and FS 524-1629, 2007-08 to 2011-02

Ref	Part No	Description	Remark	QTY KIT
1	542 20 41-50	NOSE PIECE - HUSQVARNA		1
2	542 20 21-28	CLIP		2
3	542 16 66-24	BOLT		4
4	504 10 11-02	CLIP		2