

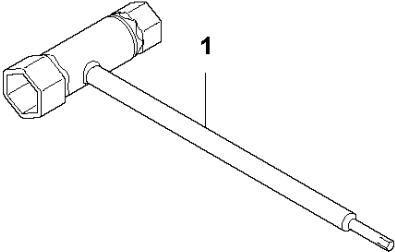


SPARE PARTS LIST

BLOWERS

525 BX, 967284201, 967284202,
967284203, 2017-02

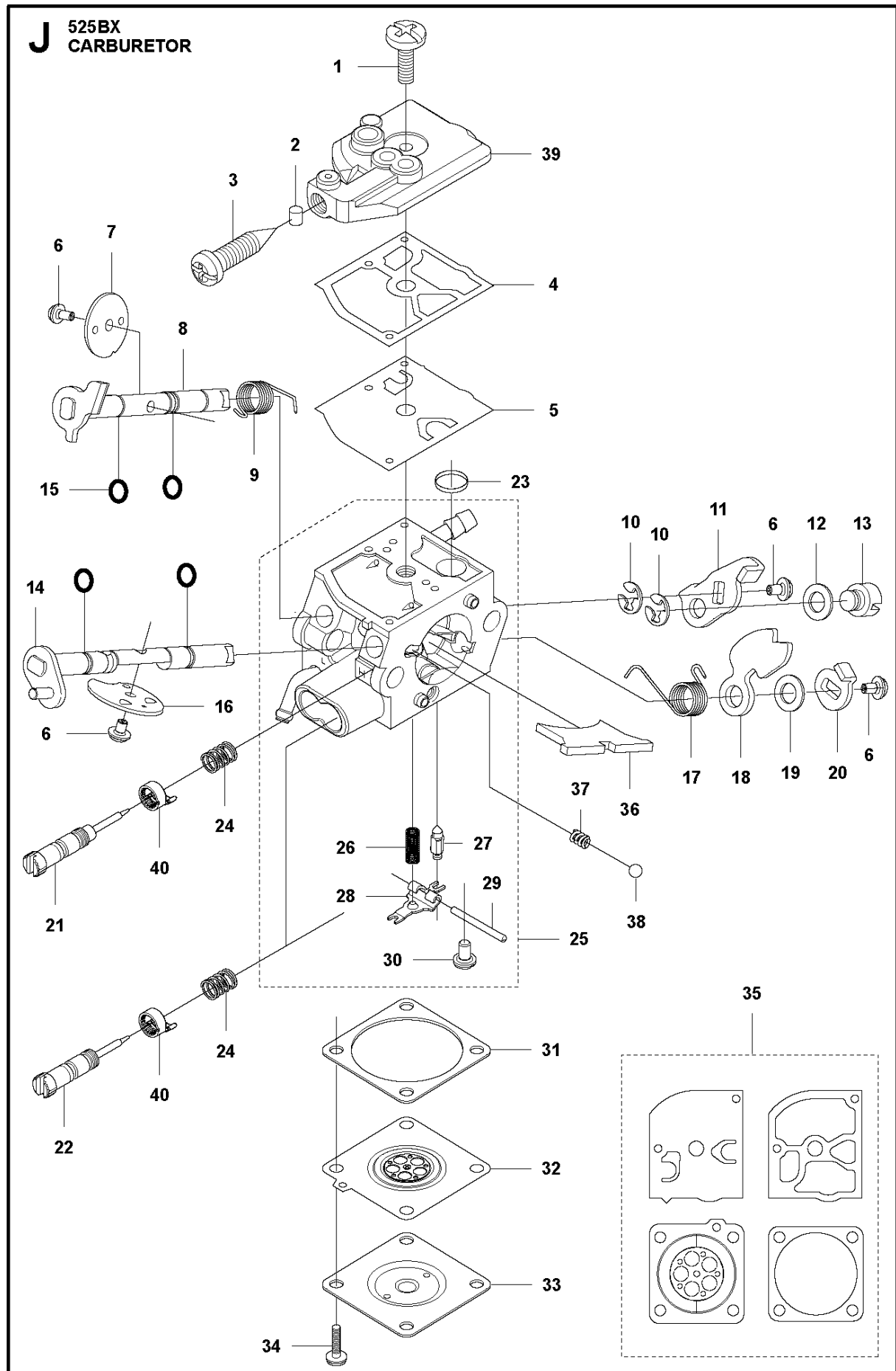
L 525BX
ACCESSORIES



ACCESSORIES

525 BX, 967284201, 967284202, 967284203, 2017-02

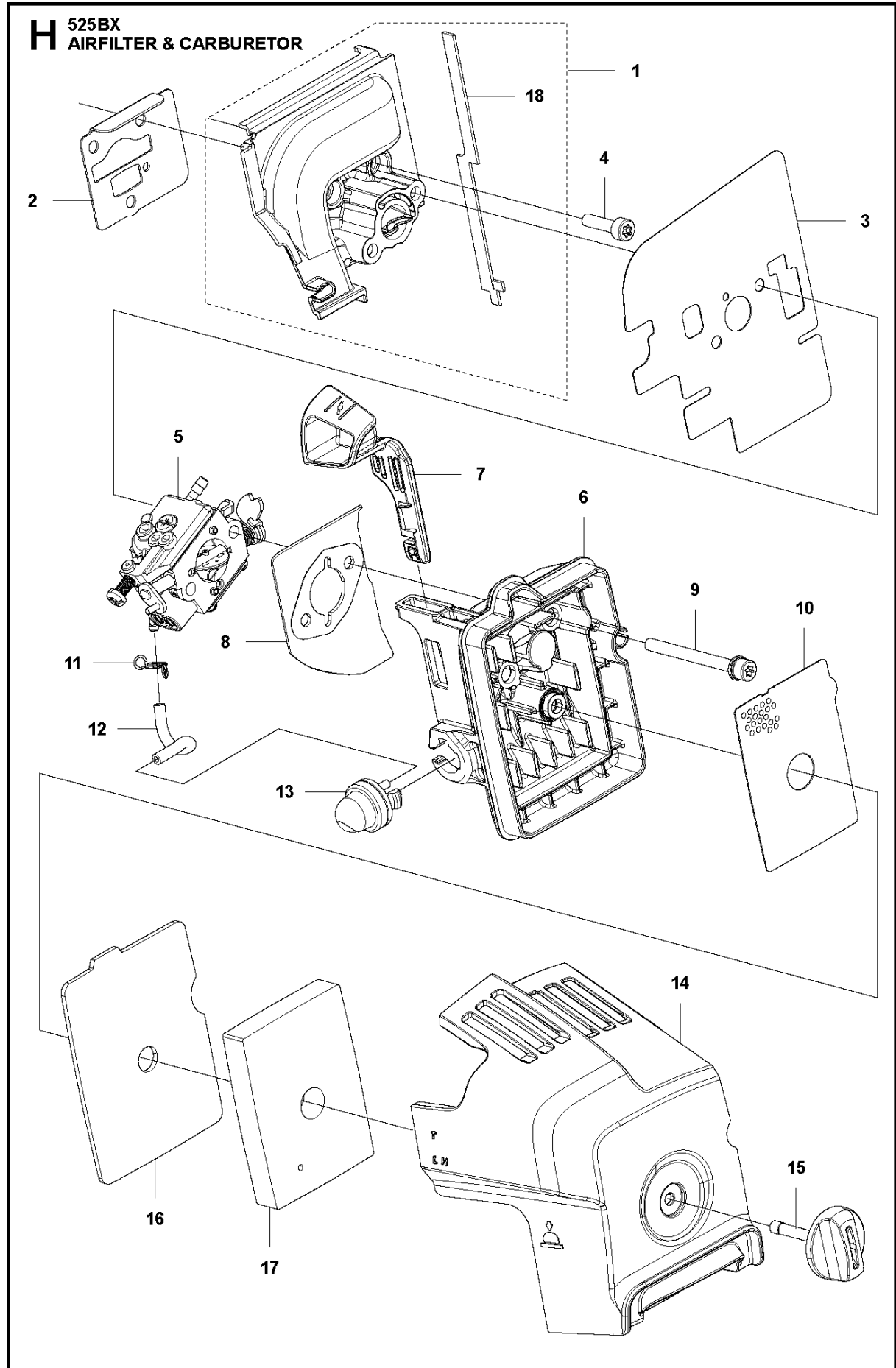
Ref	Part No	Description	Remark	QTY KIT
1	575 73 82-01	COMBINATION WRENCH		1



CARBURETOR

525 BX, 967284201, 967284202, 967284203, 2017-02

Ref	Part No	Description	Remark	QTY	KIT
1	577 89 93-01	SCREW		1	
2	578 38 97-01	PLUG		1	
3	579 63 17-01	SCREW		1	
4	577 89 94-01	GASKET		1	35
5	577 89 95-01	DIAPHRAGM		1	35
6	577 89 97-01	SCREW		4	
7	587 71 28-01	VALVE		1	
8	587 71 30-01	SHAFT ASSY		1	
9	587 71 29-01	SPRING		1	
10	577 90 04-01	E-RING		2	
11	587 71 43-01	LEVER		1	
12	577 90 11-01	GASKET		2	
13	586 38 34-01	SWIVEL		1	
14	587 71 41-01	SHAFT ASSY		1	
15	587 71 36-01	O-RING		4	
16	587 71 42-02	VALVE	SKU 967284201 from 20163106705, SKU 967284202 from 20163203284, SKU 967284203 from 20163401301	1	
17	587 71 37-01	SPRING		1	
18	588 99 55-01	LEVER	SKU 967284201 from 20163106705, SKU 967284202 from 20163203284, SKU 967284203 from 20163401301	1	
19	585 31 97-01	SPACER		1	
20	587 71 40-01	LEVER		1	
21	587 71 34-01	SCREW	SKU967284201, SKU967284203	1	
21	585 31 91-01	SCREW	SKU967282402	1	
22	588 99 54-01	SCREW	SKU967284201 from 20171703003, SKU967284203 from 20172600101	1	
22	590 63 67-01	NEEDLE	SKU967284202 from 20172602897	1	
23	577 90 03-01	STRAINER		1	
25	587 71 27-01	BODY		1	
24	587 71 33-01	SPRING		2	
25	587 71 27-02	BODY	SKU967284201 from 20171703003, SKU967284202 from 20172602897, SKU967284203 from 20172600101	1	
26	579 63 18-01	SPRING		1	25
27	579 63 19-01	VALVE		1	25
28	578 39 02-01	LEVER		1	25
29	578 39 06-01	PEN		1	25
30	578 39 03-01	SCREW		1	25
31	577 89 99-01	GASKET		1	35
32	577 90 01-01	DIAPHRAGM		1	35
33	577 90 00-01	COVER		1	
34	577 90 05-01	SCREW		4	
35	577 90 18-01	GASKET KIT		1	
36	587 71 35-01	PLATE		1	
37	577 90 16-01	SPRING		1	
38	577 90 15-01	BALL		1	
39	587 71 38-01	PUMP		1	
40	587 71 32-02	SEALING	SKU 967284201 from 20163106705, SKU 967284203 from 20163401301, N/A in SKU 967284202	2	

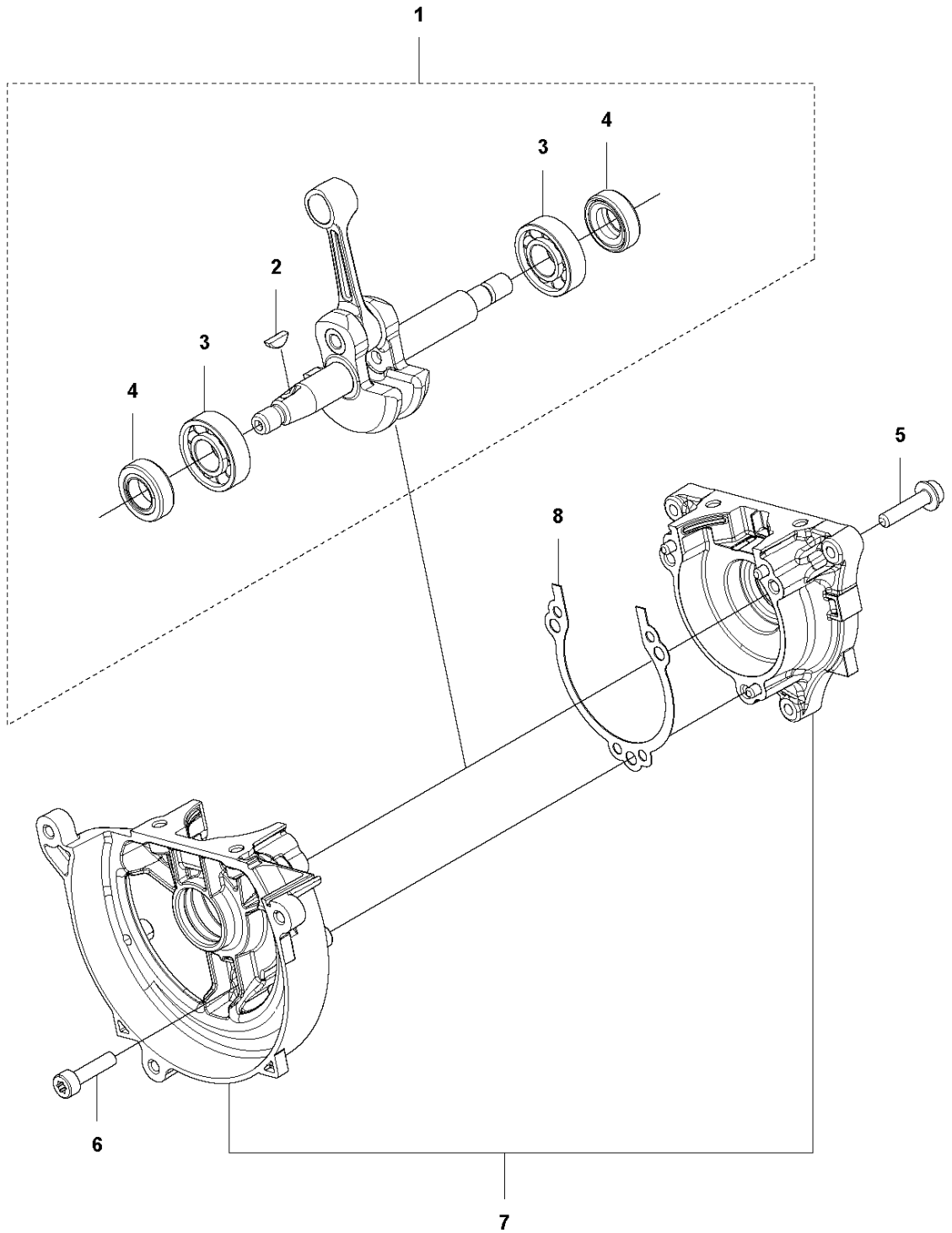


CARBURETOR & AIR FILTER

525 BX, 967284201, 967284202, 967284203, 2017-02

Ref	Part No	Description	Remark	QTY	KIT
1	587 19 45-01	INSULATOR		1	
2	585 60 33-01	GASKET		1	
3	585 60 34-01	GASKET		1	
4	585 88 34-01	BOLT		3	
5	585 60 38-03	CARBURETTOR	SKU967284201 from 20171703003, SKU967284203 from 20172600101	1	
5	501 71 69-03	CARBURETTOR	SKU967284202 from 20172602897	1	
6	585 60 44-01	FILTER HOUSING		1	
7	585 60 45-01	CHOKE CONTROL		1	
8	586 69 30-01	GASKET		1	
9	585 88 35-02	BOLT		2	
10	585 60 46-01	PLATE		1	
11	580 39 63-01	CLIP		1	
12	577 53 33-04	FUEL HOSE		1	
13	503 93 66-01	PURGE		1	
14	585 60 48-01	FILTER COVER		1	
15	576 99 24-03	KNOB		1	
16	585 60 49-01	AIR FILTER		1	
17	585 60 50-01	AIR FILTER		1	
18	587 12 20-01	INSULATING SHEET		1	1

G 525BX
CRANK CASE & SHAFT

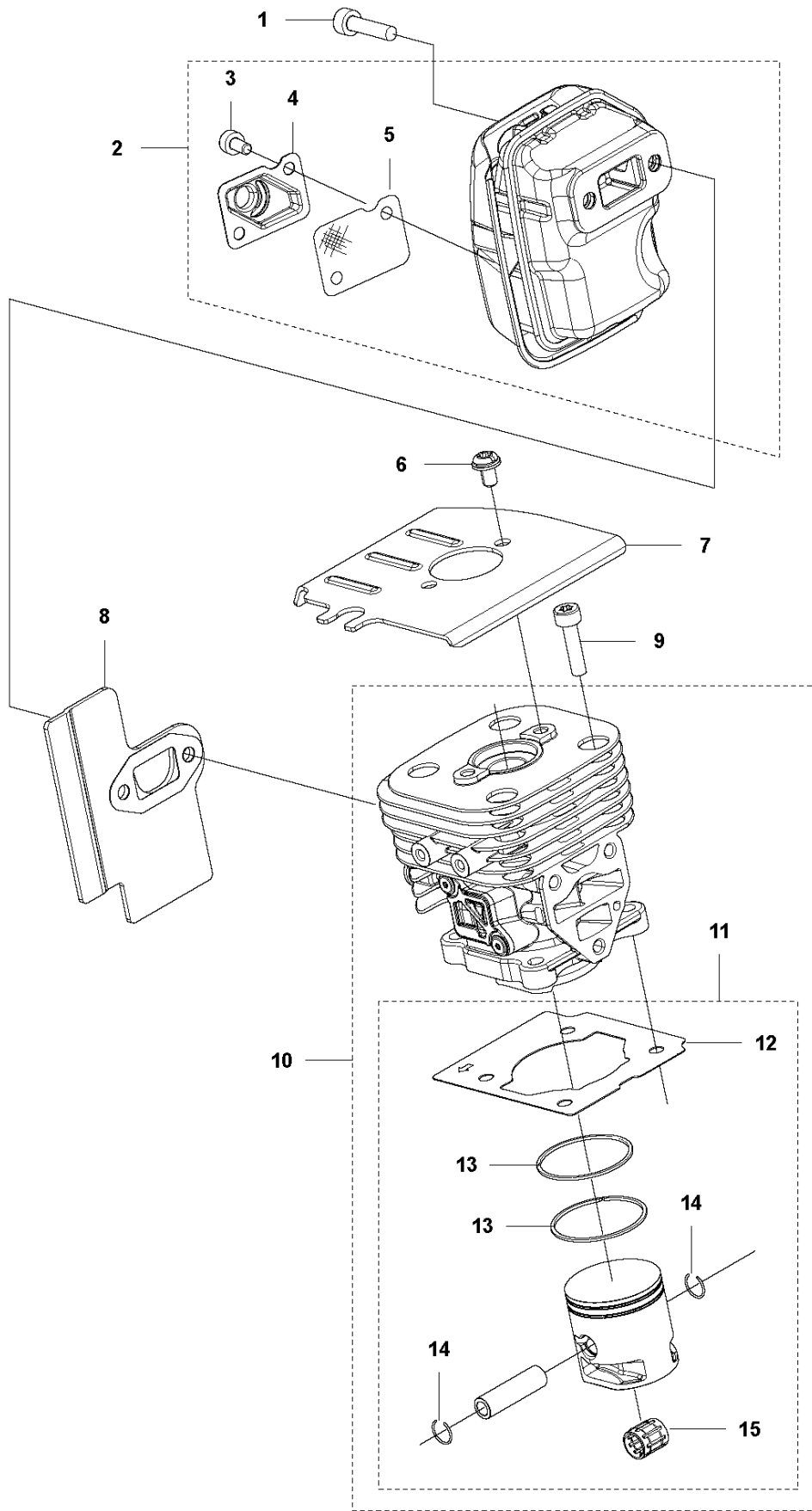


CRANKCASE

525 BX, 967284201, 967284202, 967284203, 2017-02

Ref	Part No	Description	Remark	QTY	KIT
1	588 09 83-01	KIT		1	
2	506 68 94-01	KEY		1	1
3	506 61 03-01	BEARING		2	1
4	504 12 15-01	SEALING		2	1
5	506 74 52-01	BOLT		3	
6	504 11 43-01	SCREW		3	
7	585 60 21-01	CRANKCASE		1	
8	585 60 26-01	GASKET		1	

F 525BX
MUFFLER & CYLINDER

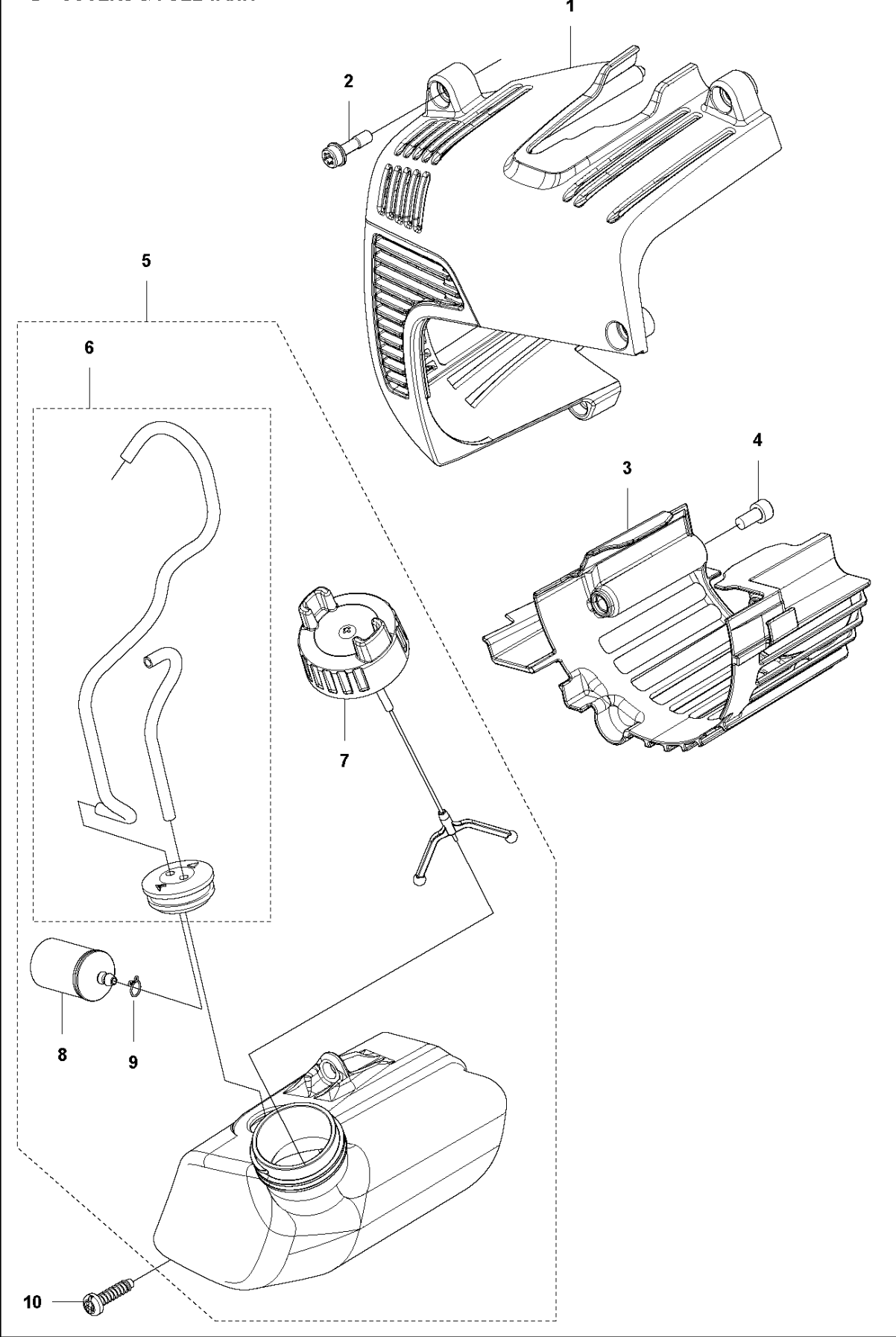


CYLINDER

525 BX, 967284201, 967284202, 967284203, 2017-02

Ref	Part No	Description	Remark	QTY	KIT
1	504 11 43-01	SCREW		2	
2	585 62 74-01	MUFFLER ASSY		1	
3	544 36 27-01	BOLT		2	2
4	585 63 03-01	EXHAUST COVER		1	2
5	585 63 02-01	SPARK ARRESTER		1	2
6	544 25 68-01	SCREW		2	
7	585 60 19-01	PLATE		1	
8	585 60 39-01	GASKET		1	
9	504 11 43-01	SCREW		4	
10	588 09 82-01	KIT		1	
11	588 09 81-01	KIT		1	10
12	585 60 18-01	GASKET		1	11
13	506 61 81-01	RING		2	11
14	505 04 52-01	RING		2	11
15	576 40 27-01	BEARING		1	11

C 525BX
COVERS & FUEL TANK

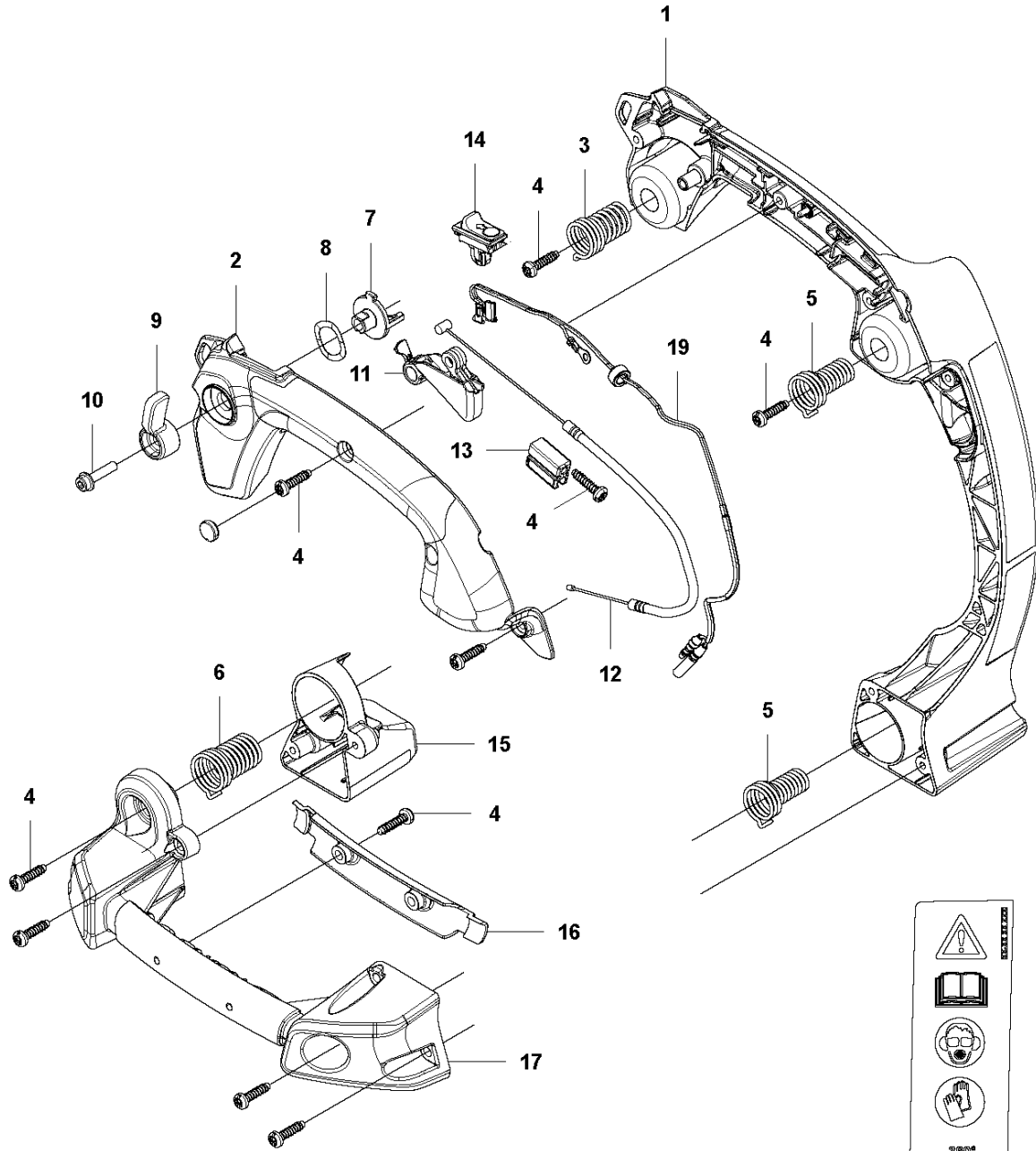


FUEL TANK

525 BX, 967284201, 967284202, 967284203, 2017-02

Ref	Part No	Description	Remark	QTY KIT
1	585 62 52-02	ENGINE COVER		1
2	577 81 54-01	BOLT		4
3	585 60 40-02	PLATE		1
4	504 11 96-01	SCREW		2
5	585 63 51-01	FUEL TANK ASSY	SKU 967284202	1
5	585 63 51-02	FUEL TANK ASSY	SKU 967284201, SKU 967284203	1
6	577 50 99-05	PIPE	SKU 967284201, SKU 967284203	1
6	579 21 03-06	HOSE ASSY	SKU 967284202	1
7	579 64 57-03	TANK CAP		1
8	503 44 32-01	FUEL FILTER		1
9	506 70 70-01	CLIP		1
10	521 86 36-01	SCREW		2

D 525BX
HANDLE



18

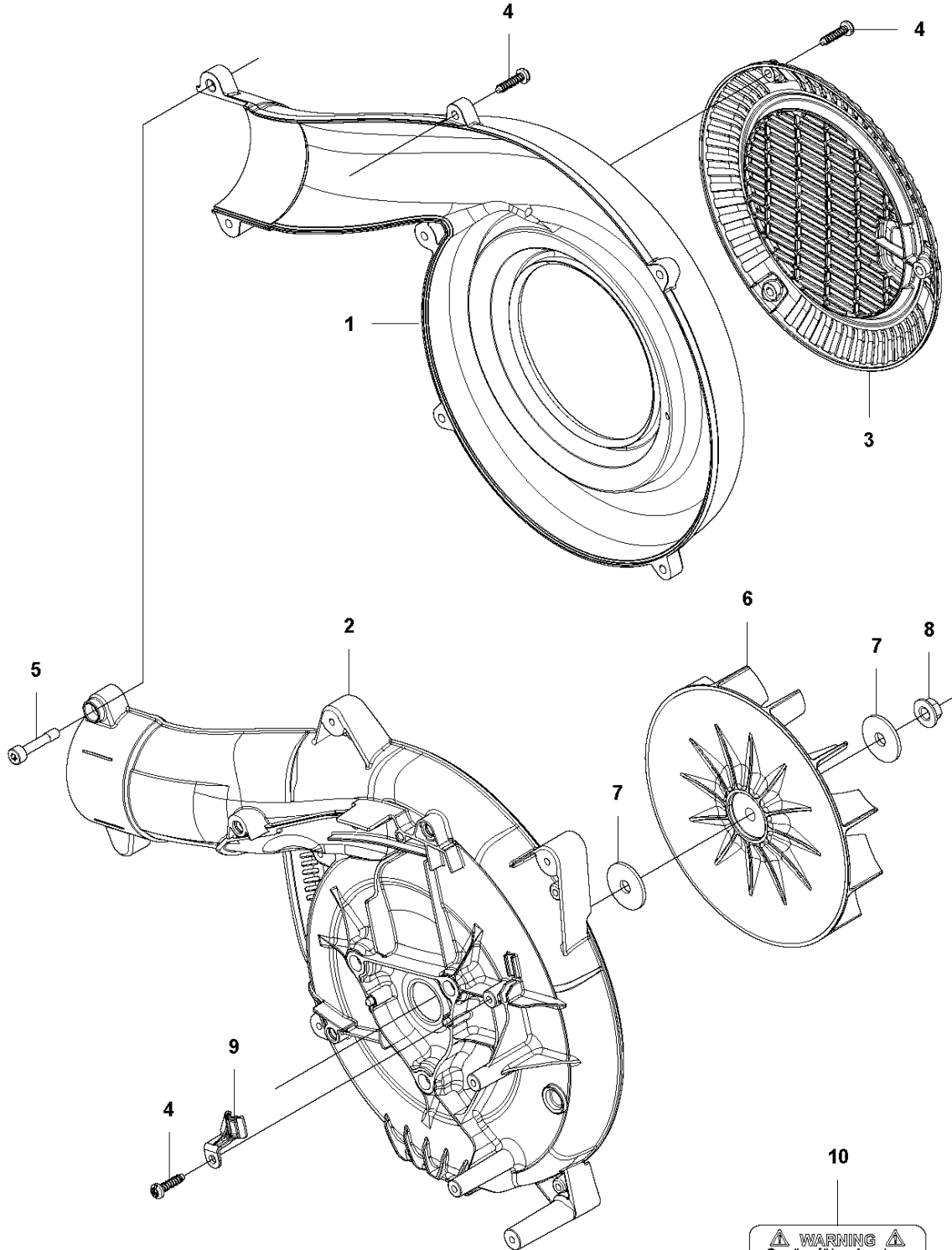
A vertical column of safety and tooling icons. From top to bottom: a warning triangle with an exclamation mark, a pair of safety glasses, a pair of work gloves, a 30° angle symbol, a 15mm hex key, a torque wrench, and a pair of pliers. The number 18 is positioned to the left of the icons.

HANDLE

525 BX, 967284201, 967284202, 967284203, 2017-02

Ref	Part No	Description	Remark	QTY KIT
1	585 62 40-01	HANDLE		1
2	585 62 41-01	HANDLE		1
3	587 11 04-02	SPRING		1
4	521 86 36-01	SCREW		15
5	585 62 39-02	SPRING		2
6	587 11 03-02	SPRING		1
7	585 62 47-01	RATCHET		1
8	585 62 48-01	WASHER		1
9	585 62 46-01	CONTROL LEVER		1
10	506 74 52-01	BOLT		1
11	585 62 45-01	THROTTLE LEVER		1
12	585 62 50-01	THROTTLE CABLE		1
13	585 62 51-01	ADJUSTER		1
14	537 41 90-01	SWITCH		1
15	585 62 43-01	HANDLE SUPPORT		1
16	585 62 44-01	HANDLE SUPPORT		1
17	585 62 42-01	HANDLE SUPPORT		1
18	587 24 30-01	LABEL		1
19	582 86 36-02	CORD		1

B 525BX
FAN HOUSING



10

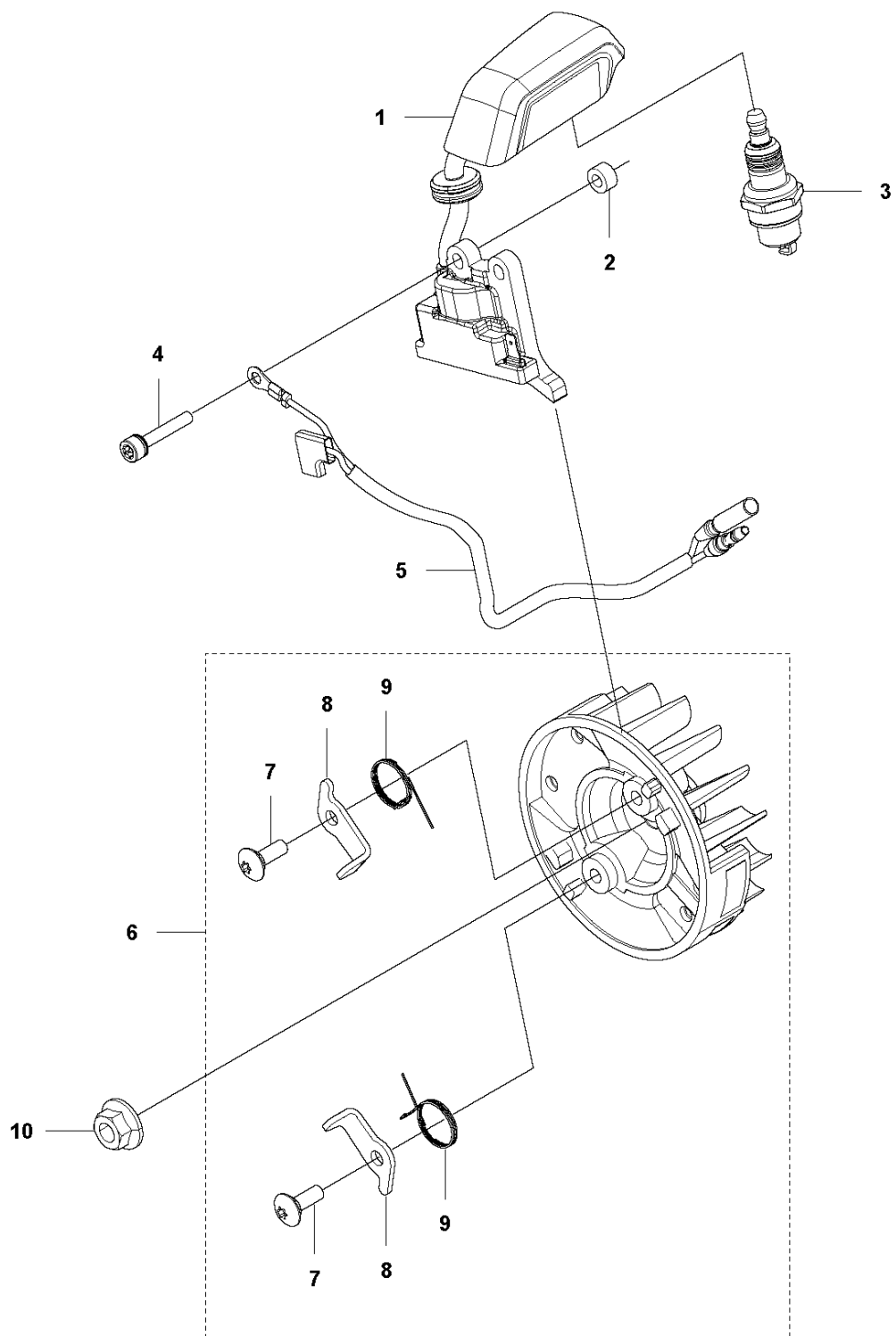
WARNING
Operation of this equipment may create sparks that can start fires around dry vegetation. A spark arrester may be required. The operator should contact local fire agencies for laws or regulations relating to fire prevention requirements.

HOUSING

525 BX, 967284201, 967284202, 967284203, 2017-02

Ref	Part No	Description	Remark	QTY KIT
1	585 61 26-01	VOLUTE		1
2	585 61 25-01	VOLUTE		1
3	585 62 38-01	GUARD		1
4	521 86 36-01	SCREW		10
5	585 88 37-01	BOLT		1
6	585 62 53-01	FAN		1
7	515 70 47-01	WASHER		2
8	585 62 54-01	NUT		1
9	586 90 98-01	CLAMP		1
10	587 24 34-01	LABEL	SKU 967284202	1

K 525BX
IGNITION SYSTEM

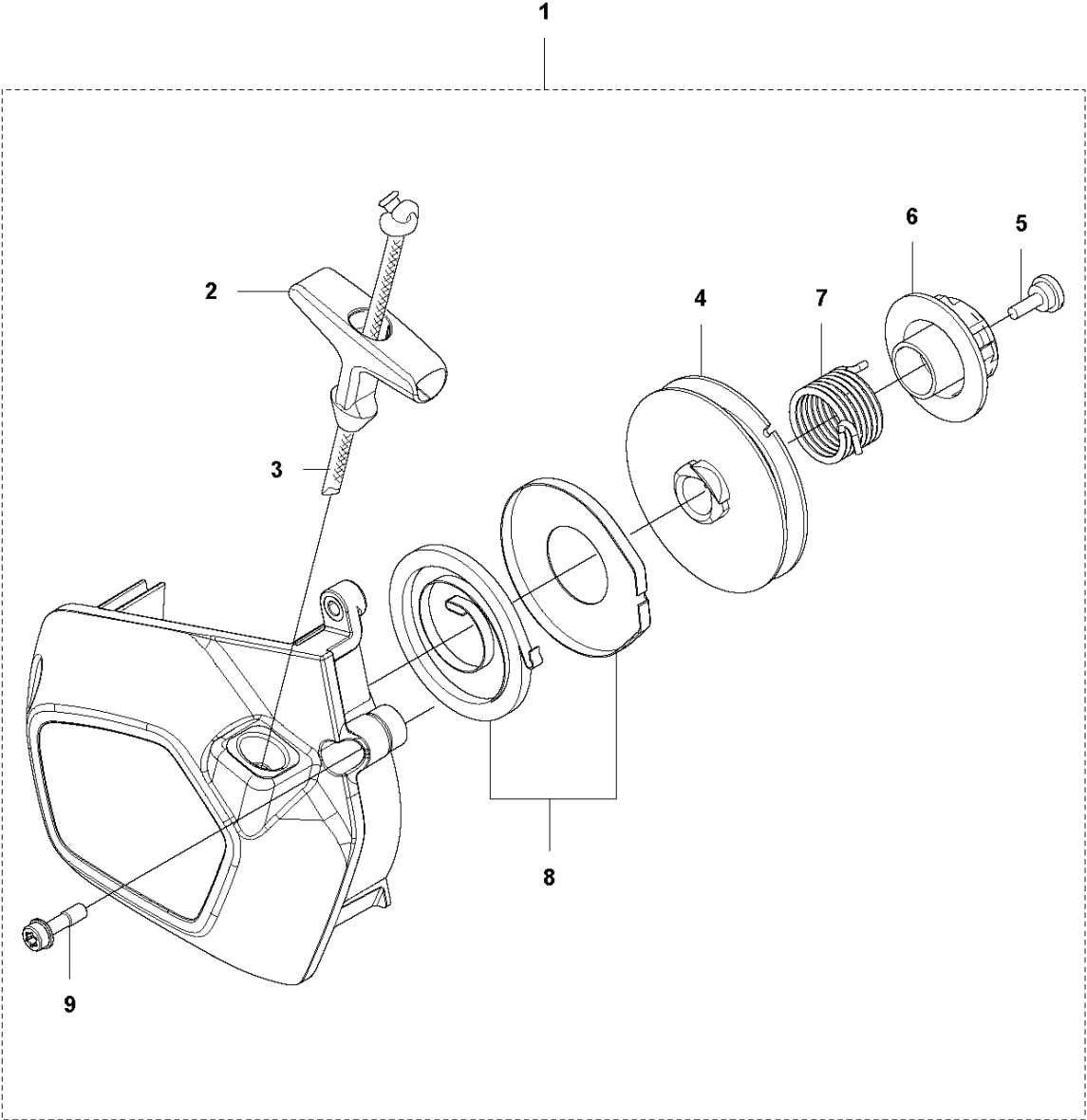


IGNITION SYSTEM

525 BX, 967284201, 967284202, 967284203, 2017-02

Ref	Part No	Description	Remark	QTY	KIT
1	585 68 32-03	IGNITION COIL ASSY	s/n from 20160900565- (for 957284201), 20160901314- (for 967284202), 20160700101- (for 967284203)	1	
1	585 68 32-01	IGNITION COIL ASSY	s/n from 20150600101-to 20160900564 (for 967284201), 20154900101- to 20160901313 (fro 967284202)	1	
2	588 17 14-01	SPACER		2	
3	576 59 81-01	SPARK PLUG		1	
4	521 51 58-01	BOLT		2	
5	585 68 33-01	CORD		1	
6	585 68 31-01	FLYWHEEL ASSY		1	
7	586 34 64-01	BOLT		2	6
8	586 34 63-01	RATCHET		2	6
9	586 34 65-01	SPRING		2	6
10	504 11 80-01	NUT		1	1

E 525BX
STARTER

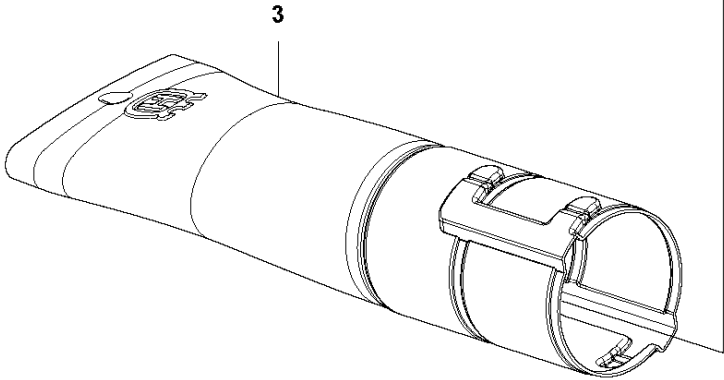
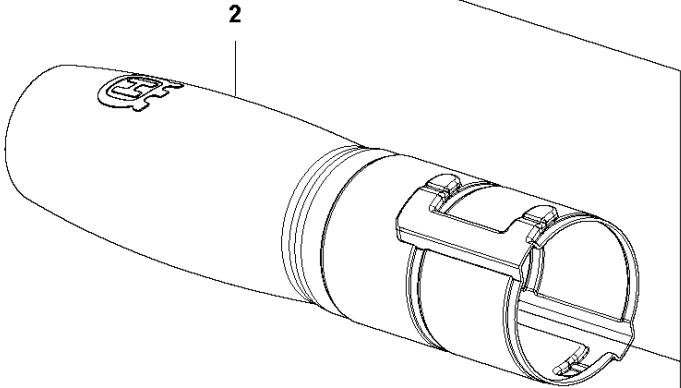
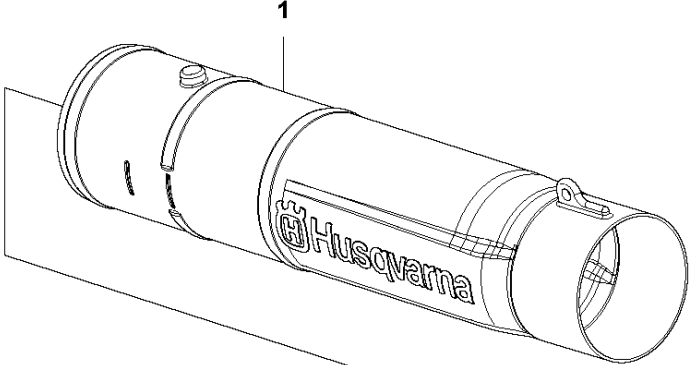


STARTER

525 BX, 967284201, 967284202, 967284203, 2017-02

Ref	Part No	Description	Remark	QTY	KIT
1	585 60 41-01	STARTER ASSY		1	
2	575 48 95-01	STARTER HANDLE		1	1
3	522 64 51-01	ROPE		1	1
4	522 64 50-01	REEL		1	1
5	515 36 71-01	SCREW		1	1
6	586 31 87-01	CAM		1	1
7	586 31 88-01	SPRING		1	1
8	522 64 49-01	SPRING_ASSY		1	1
9	577 81 54-01	BOLT		3	1
10	587 26 25-01	LABEL		1	1

A 525BX
TUBE



TUBE

525 BX, 967284201, 967284202, 967284203, 2017-02

Ref	Part No	Description	Remark	QTY KIT
1	585 62 59-01	TUBE		1
2	585 62 62-01	TUBE		1
3	585 89 73-01	NOZZLE		1