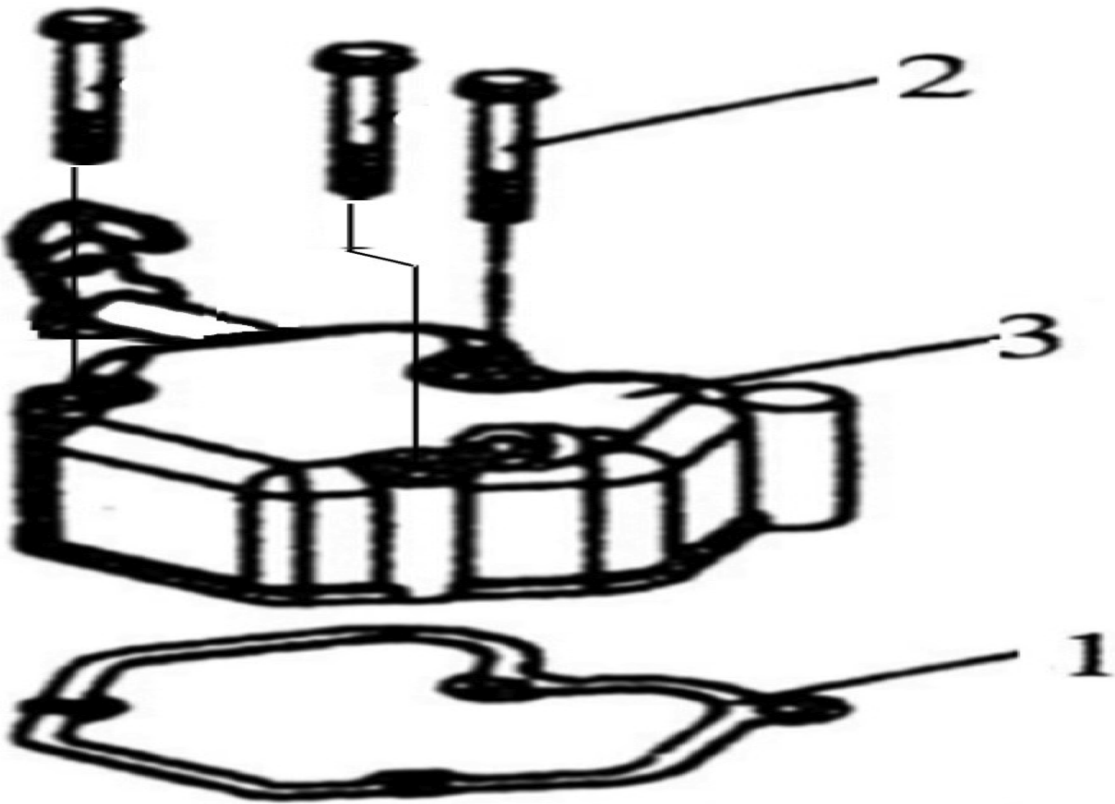




# SPARE PARTS LIST

CULTIVATORS/TILLERS

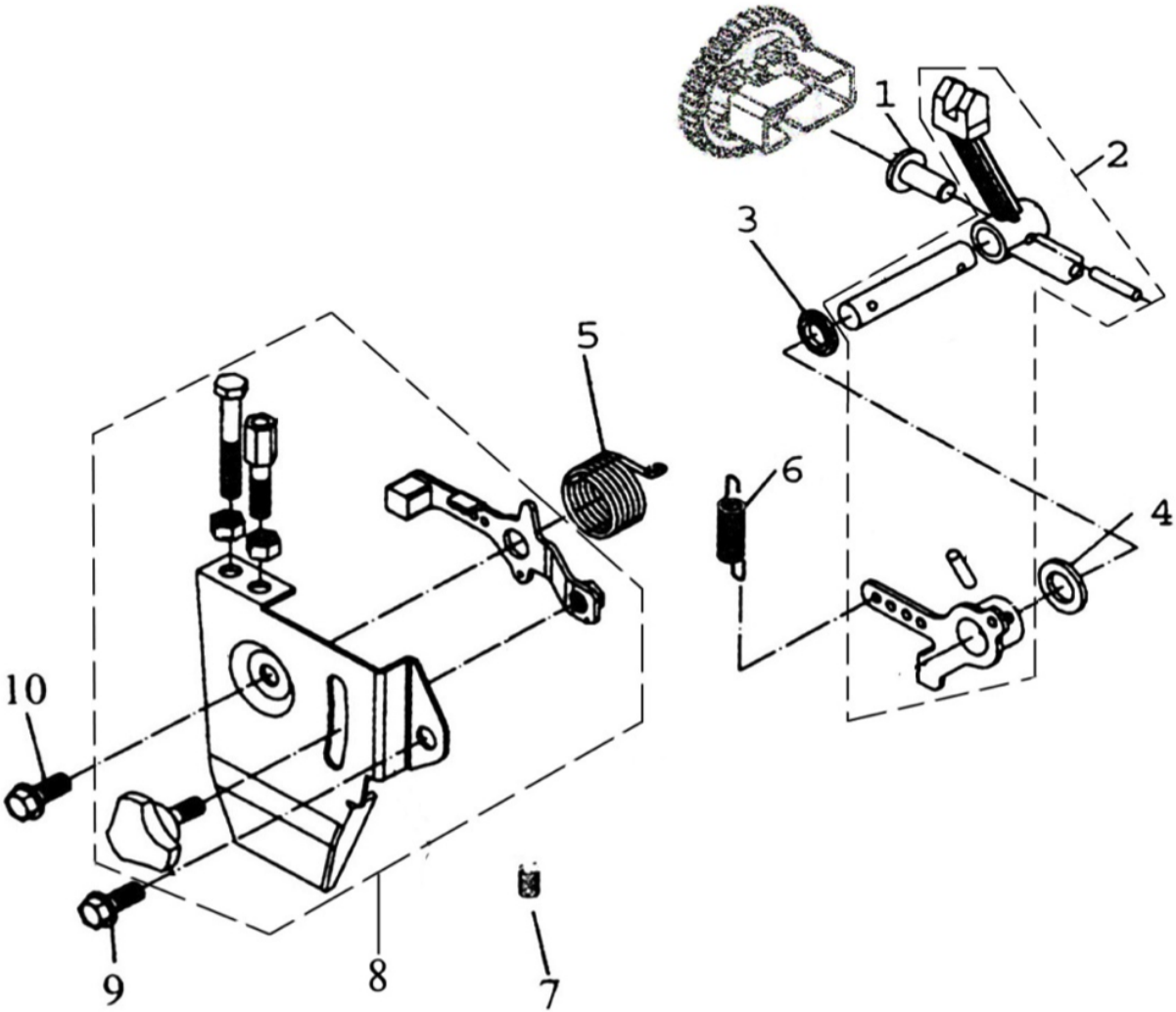
TF 545D, 967639401, 2016-09



BONNET

TF 545D, 967639401, 2016-09

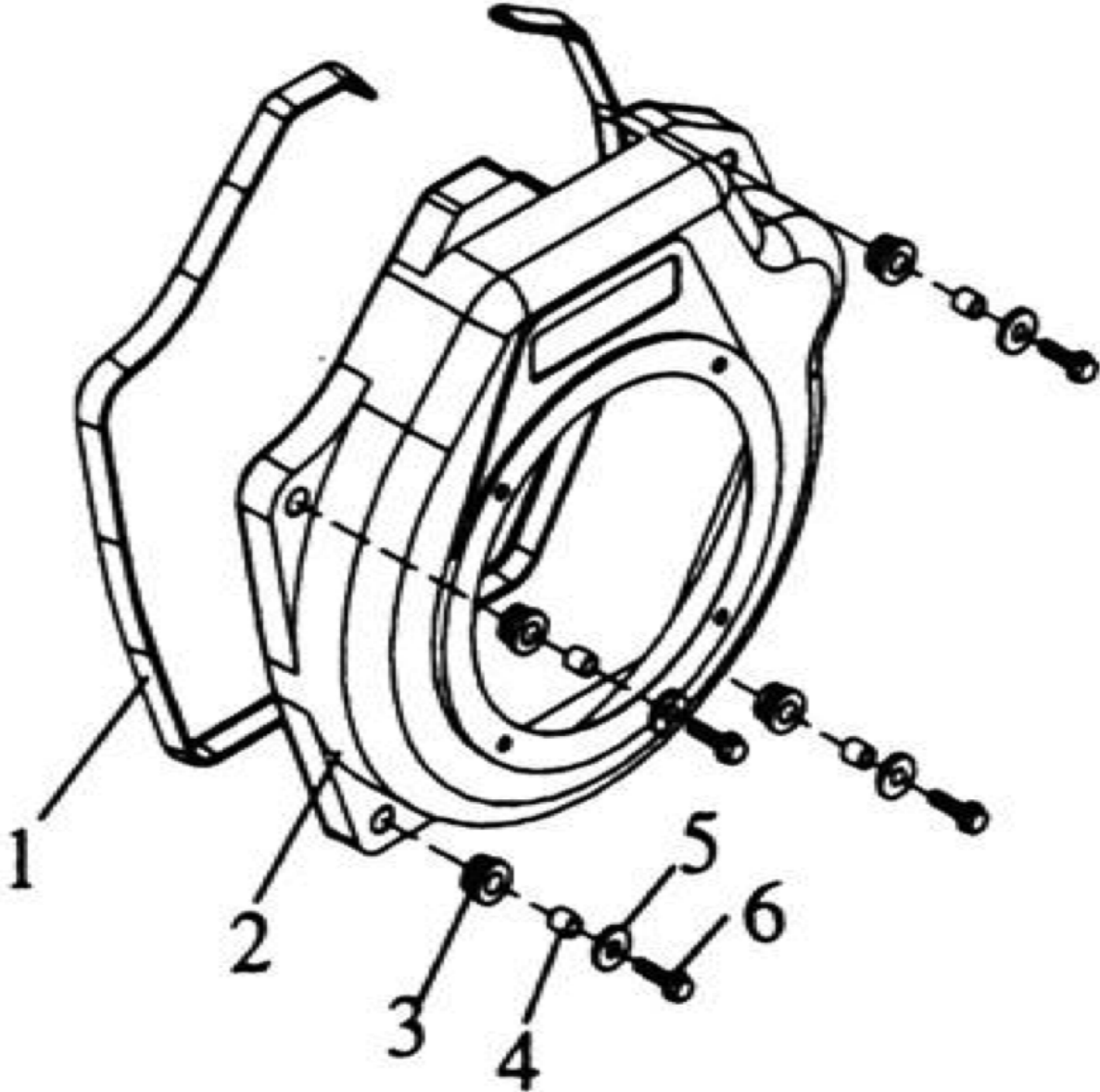
Ref	Part No	Description	Remark	QTY KIT
1	588 48 28-01	GASKET		1
2	588 48 29-01	BOLT	M6x70	3
3	588 48 30-01	CAP		3



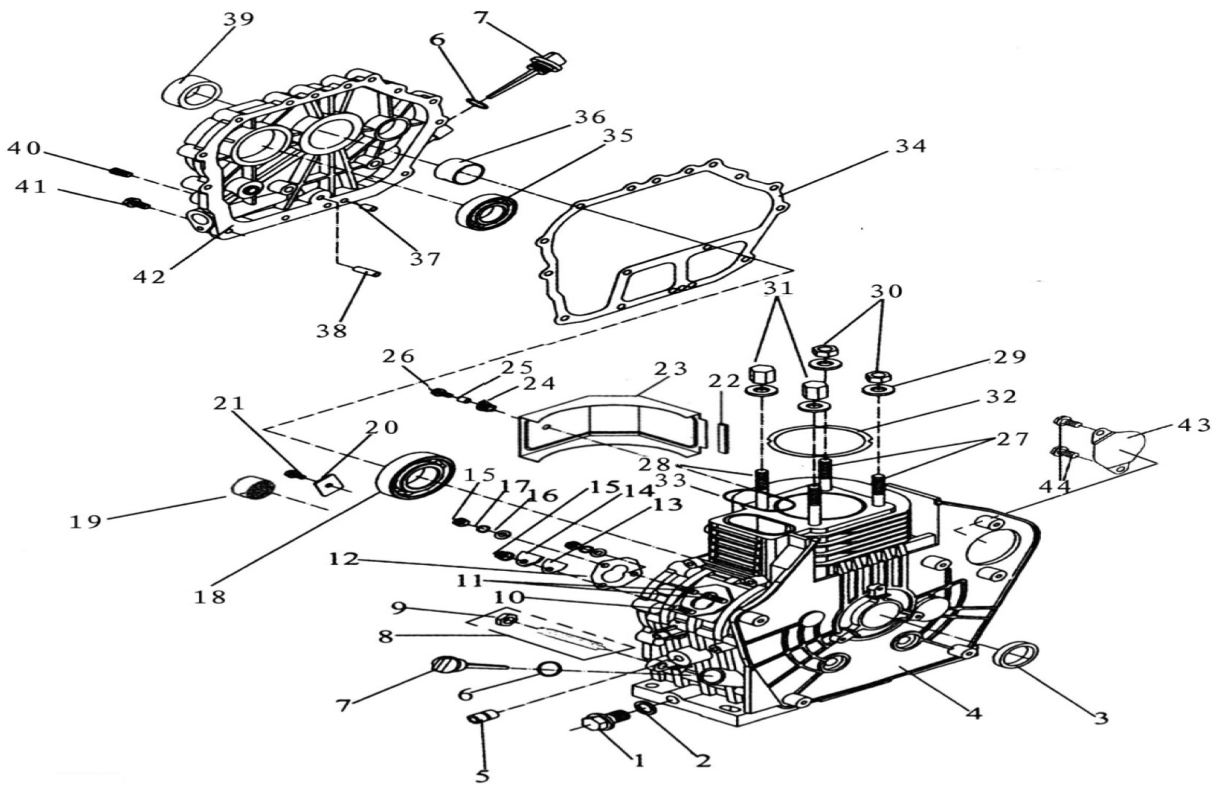
CONTROLS

TF 545D, 967639401, 2016-09

Ref	Part No	Description	Remark	QTY KIT
1	588 49 44-01	TAPPET	24.5	1
2	588 49 45-01	LEVER		1
3	588 49 46-01	SEAL	8_14_4	1
4	588 49 47-01	WASHER		2
5	588 49 48-01	SPRING		1
6	588 49 49-01	SPRING		1
7	588 49 50-01	SPRING		1
8	588 49 51-01	LEVER		1
9	588 48 88-01	BOLT	M6_12	1
10	588 48 77-01	BOLT	M6_25	1



Ref	Part No	Description	Remark	QTY KIT
1	588 49 11-01	GASKET		1
2	588 48 95-01	CASE		1
3	588 48 96-01	ABSORBER		4
4	588 48 98-01	COLLAR		4
5	588 49 00-01	WASHER		4
6	588 48 77-01	BOLT	M6_25	4

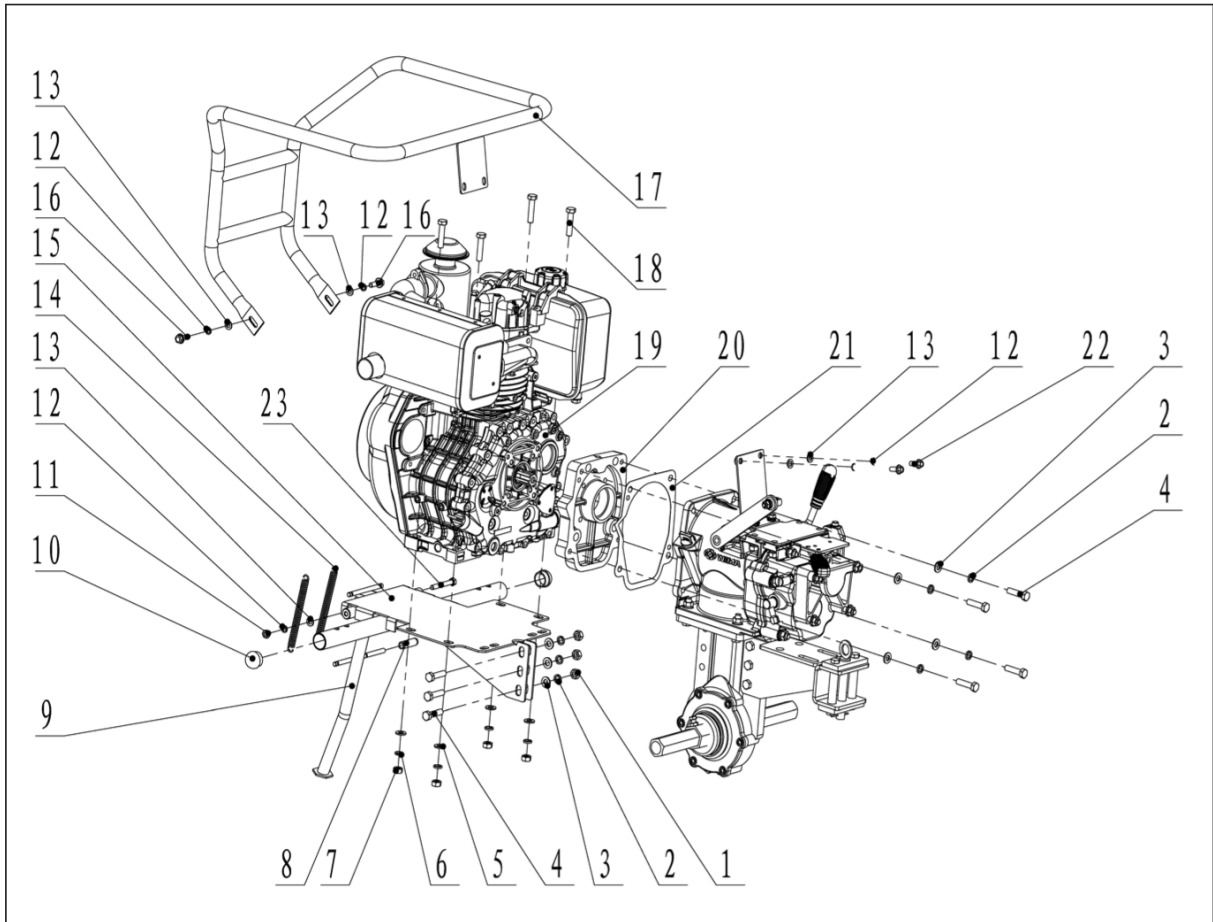




## CYLINDER

TF 545D, 967639401, 2016-09

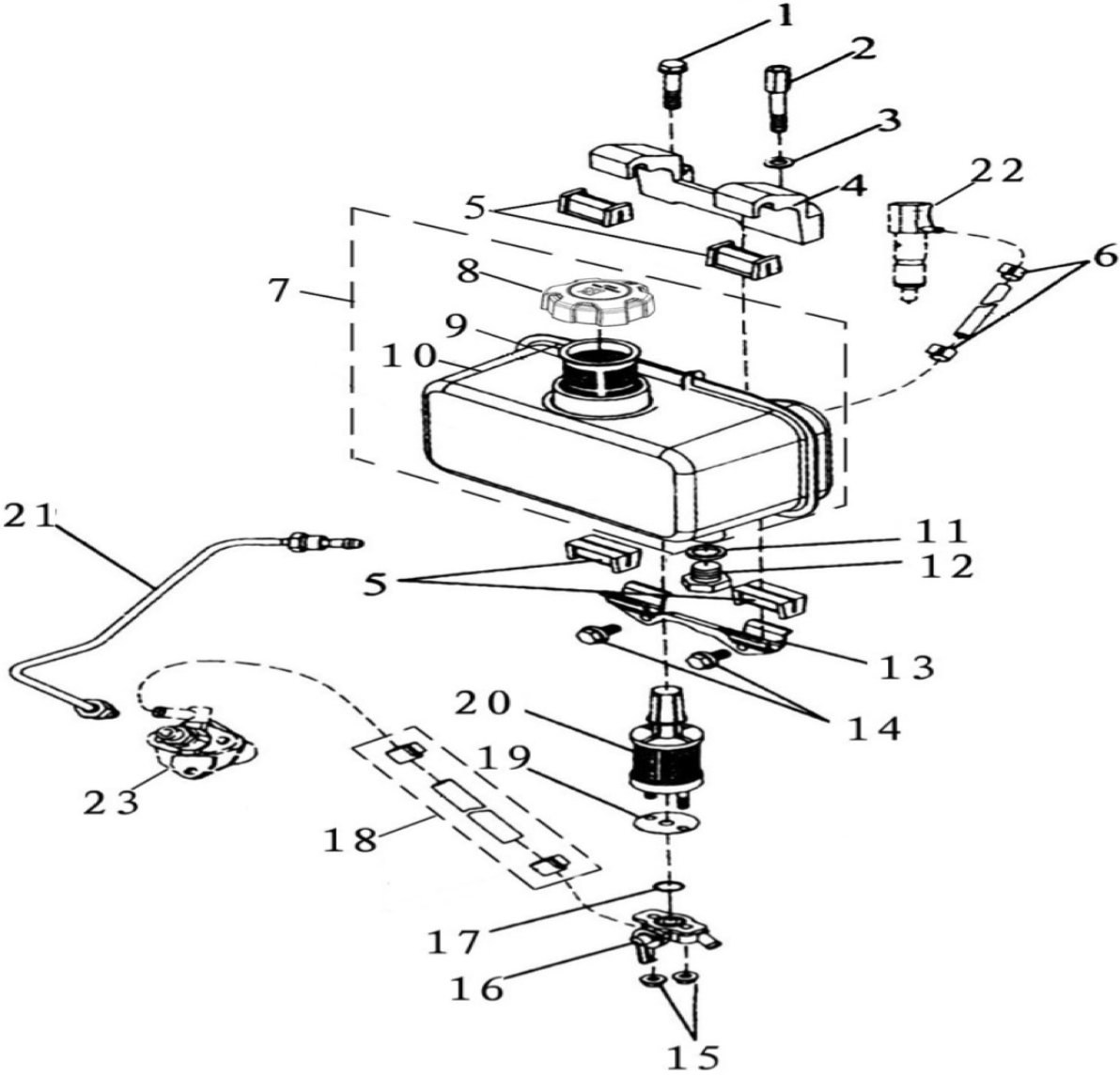
Ref	Part No	Description	Remark	QTY KIT
1	588 46 73-01	PLUG		1
2	588 46 75-01	SEAL		1
3	588 46 76-01	SEAL		1
4	588 46 77-01	BLOCK		1
5	588 46 78-01	NEEDLE BEARING		2
6	588 46 79-01	O-RING		2
7	588 46 80-01	PIN		2
8/9	588 46 83-01	FUEL GAUGE		1
10	588 46 84-01	STUD	AM6_30	1
11	588 46 85-01	STUD	AM6_40	2
12	588 46 86-01	GASKET		1
13	588 46 87-01	SEAL		1
14	588 46 88-01	SEAL		1
15	588 46 89-01	NUT	M6	3
16	588 46 90-01	WASHER		2
17	588 46 91-01	SPRING WASHER		2
18	588 46 93-01	BALL BEARING		1
19	588 46 94-01	NEEDLE BEARING		1
20	588 46 96-01	RETAINER		1
21	588 46 98-01	BOLT	M8x16	1
22	588 47 00-01	PAD		1
23	588 47 01-01	COVER		1
24	588 47 15-01	ISOLATOR		1
25	588 47 16-01	PAD		1
26	588 47 17-01	BOLT	M6_20	1
27	588 47 19-01	STUD	M10x105	2
28	588 47 20-01	STUD	M10x118	2
29	588 47 21-01	WASHER		4
30	588 47 22-01	NUT		2
31	588 47 23-01	NUT		2
32	588 47 24-01	SHIM		1
33	588 47 25-01	RING		1
34	588 47 26-01	GASKET		1
35	588 47 27-01	BALL BEARING		1
36	588 47 28-01	BEARING		1
37	588 47 29-01	PIN	8_12	2
38	588 47 30-01	INDICATOR	Oil	1
39	588 47 31-01	SEAL		1
40	588 47 32-01	PLUG		1
41	588 47 33-01	BOLT	M8_33.5	16
42	588 47 34-01	COVER		1
43	588 47 36-01	COVER		1
44	588 47 37-01	BOLT	M10_20	2



## ENGINE

TF 545D, 967639401, 2016-09

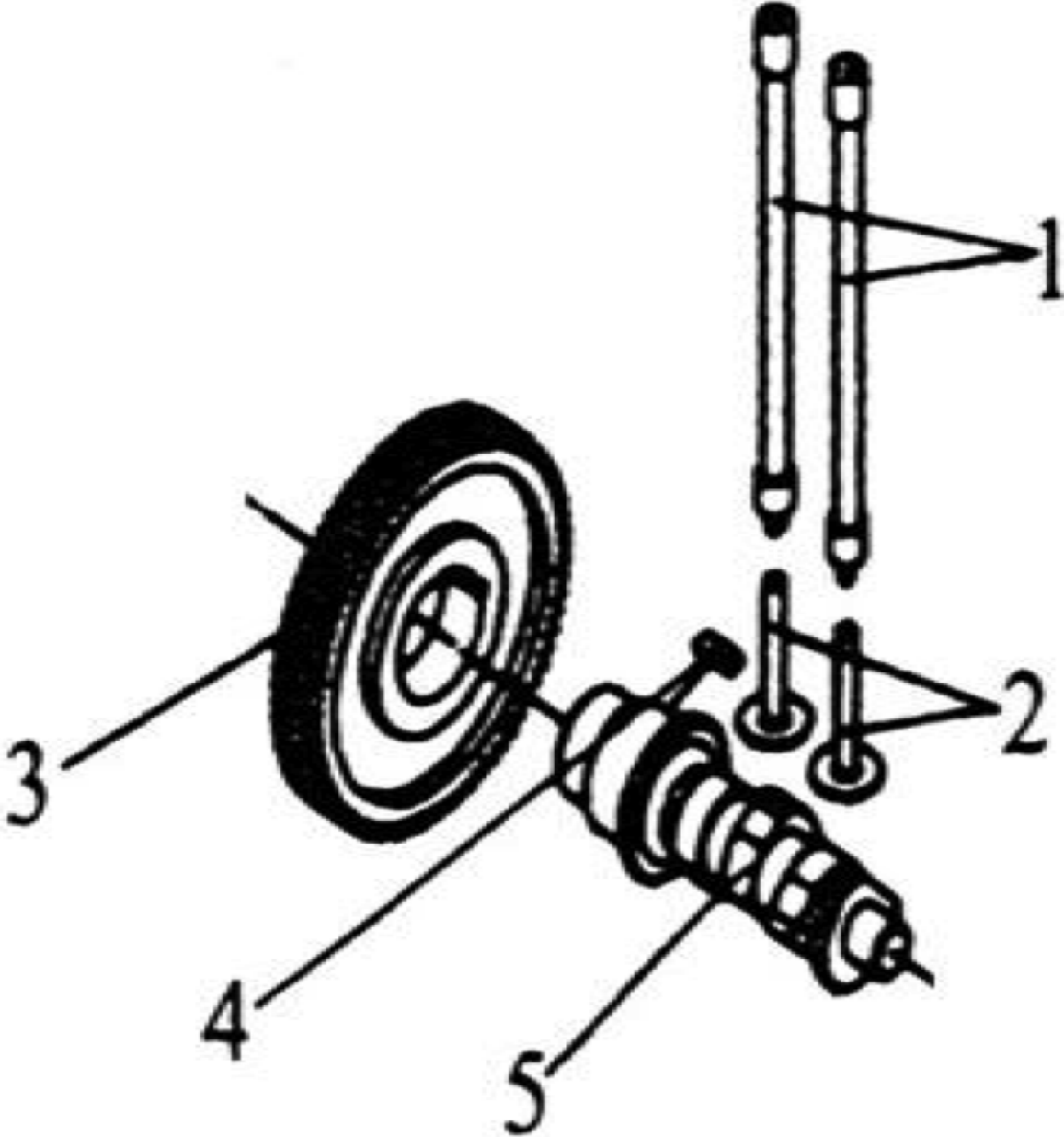
Ref	Part No	Description	Remark	QTY KIT
1	587 95 88-01	NUT	M10	7
2	587 93 68-01	SPRING WASHER	10	7
3	587 98 29-01	WASHER	10	7
4	588 40 95-01	BOLT	M10_40	7
5	587 98 29-01	WASHER	10	4
6	587 93 68-01	SPRING WASHER	10	4
7	587 95 88-01	NUT	M10	4
8	590 36 85-01	COVER		1
9	588 45 72-01	SUPPORT LEG		1
10	588 45 73-01	PLUG		2
11	588 45 71-01	NUT	M8	1
12	587 94 91-01	WASHER	8	5
13	587 94 90-01	WASHER	8	5
14	588 45 70-01	SPRING		2
15	588 45 90-01	ENGINE PLATE		1
16	588 45 86-01	BOLT	M8_20	2
17	588 45 87-01	BUMPER		1
18	588 45 74-01	BOLT	M10_40	4
19	588 45 88-01	ENGINE		1
20	590 36 86-01	FLANGE		1
21	590 36 87-01	GASKET		1
22	588 45 82-01	BOLT	M8_20	2
23	588 45 89-01	BOLT	M8_60	1



## FUEL TANK

TF 545D, 967639401, 2016-09

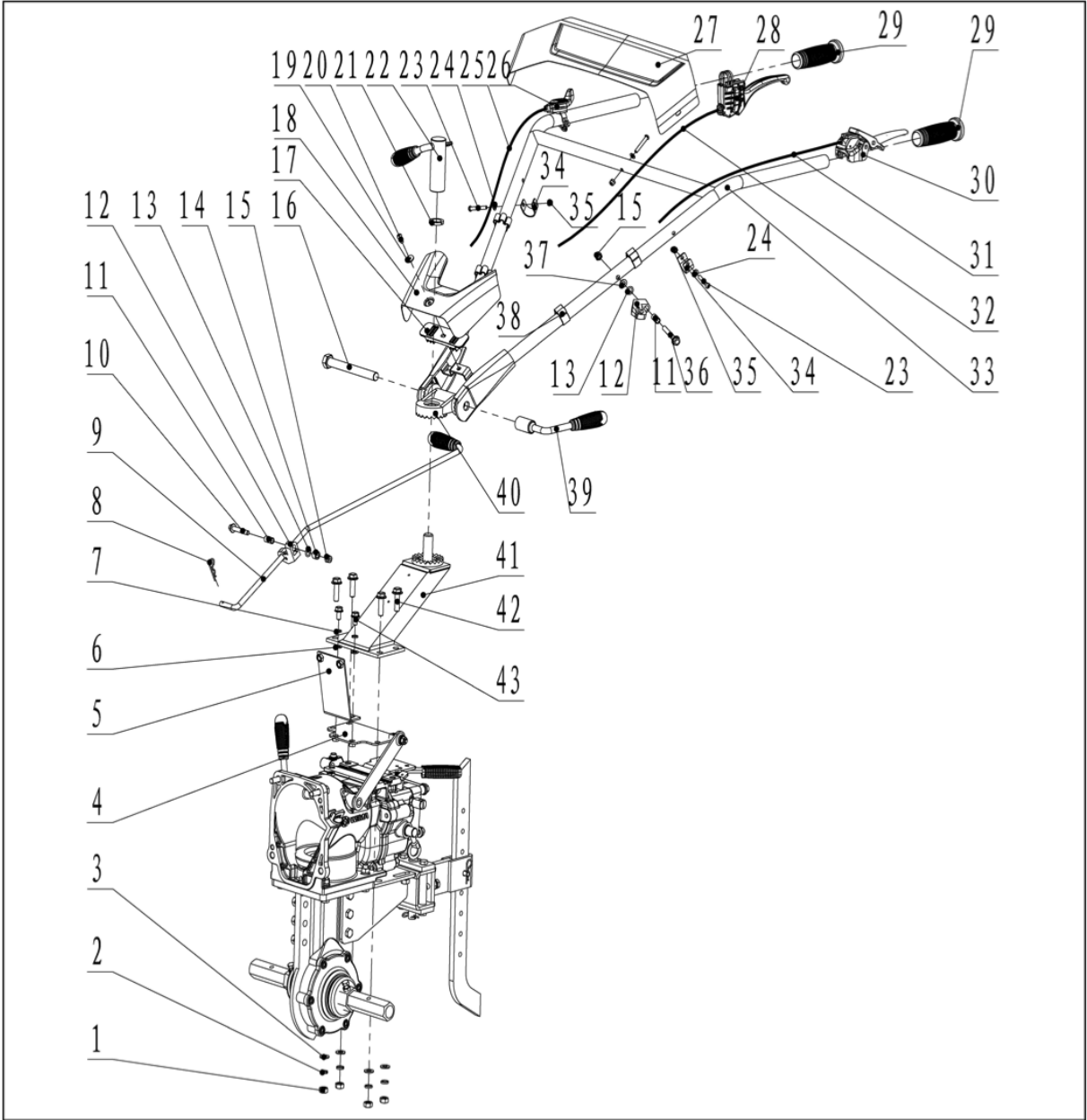
Ref	Part No	Description	Remark	QTY KIT
1	588 48 21-01	BOLT	M8x45	1
2	588 49 23-01	BOLT		1
3	588 49 16-01	WASHER		1
4	588 49 24-01	BRACKET		1
5	588 49 29-01	DAMPER		4
6	588 49 30-01	PIPE		1
7	588 49 41-01	FUEL TANK		1
8	588 49 42-01	CAP		1
9	588 49 43-01	FUEL FILTER		1
10	588 60 82-01	FUEL TANK		1
11	588 49 31-01	GASKET		1
12	588 49 32-01	PLUG		1
13	588 49 34-01	BRACKET		1
14	588 49 22-01	BOLT	M6_14	2
15	588 46 89-01	NUT	M6	2
16	588 49 35-01	TAP		1
17	588 49 36-01	O-RING		1
18	588 49 37-01	PIPE		1
19	588 49 38-01	GASKET		1
20	588 49 39-01	FUEL FILTER		1
21	588 49 40-01	PIPE		1
22	588 49 79-01	INJECTOR ASSY		1
23	588 49 80-01	FUEL PUMP		1



## GEAR BOX

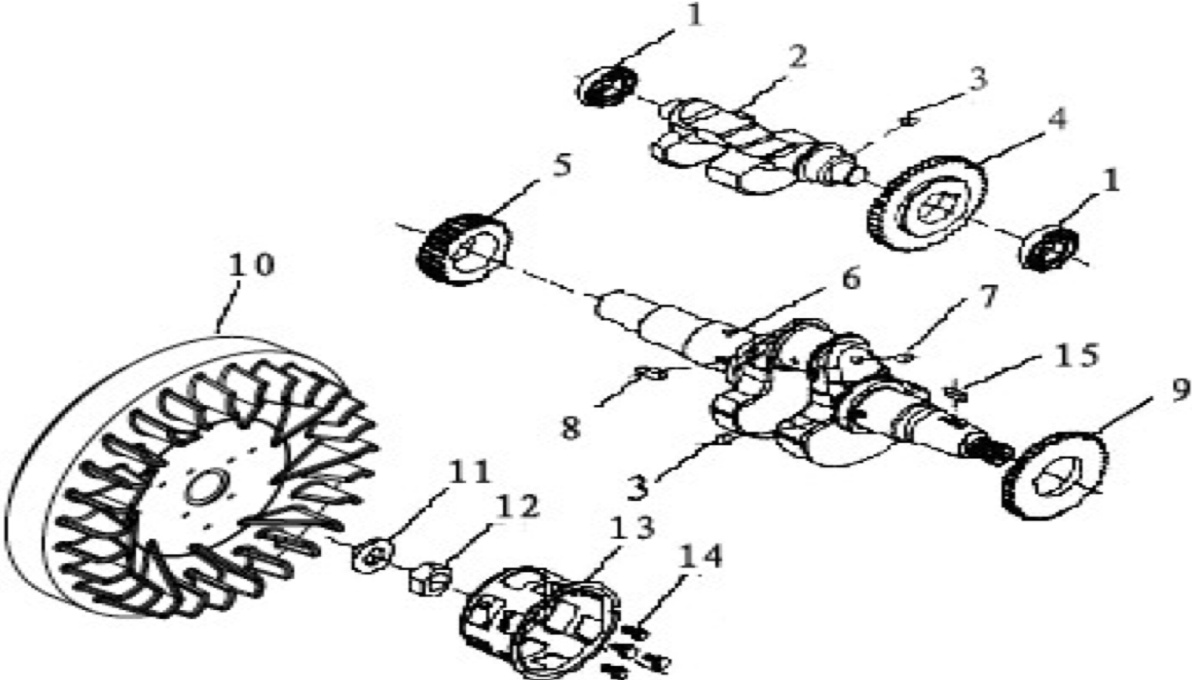
TF 545D, 967639401, 2016-09

Ref	Part No	Description	Remark	QTY KIT
1	588 48 89-01	ROD		2
2	588 48 90-01	VALVE		2
3	588 48 92-01	GEAR WHEEL		1
4	588 48 80-01	KEY	5_12	1
5	588 48 93-01	CAMSHAFT		1





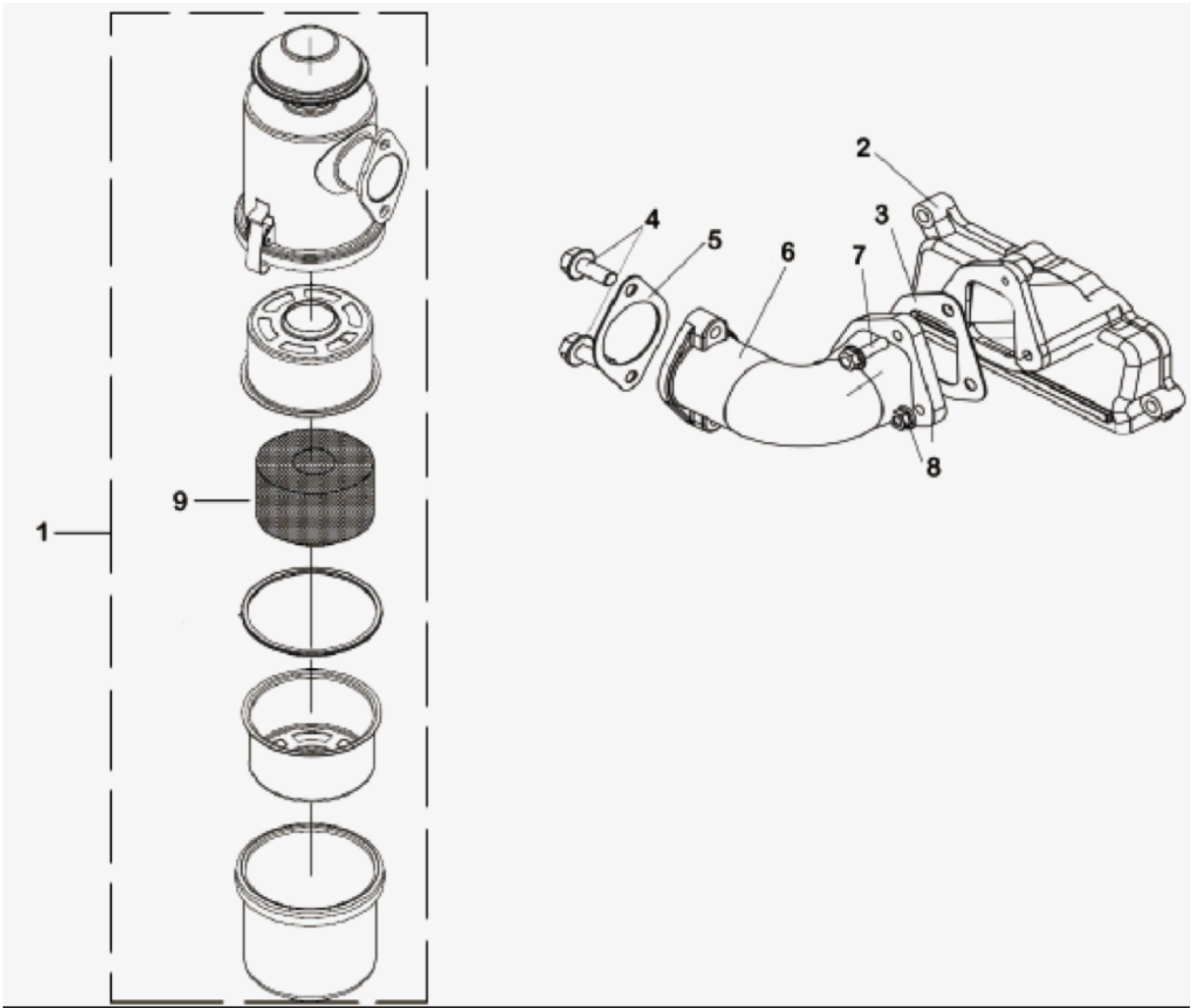
Ref	Part No	Description	Remark	QTY KIT
1	587 95 88-01	NUT	M10	4
2	587 93 68-01	SPRING WASHER	10	4
3	587 98 29-01	WASHER	10	4
4	588 40 92-01	PLATE	Plate A	1
5	588 40 93-01	PLATE	Plate B	1
6	587 94 90-01	WASHER	8	2
7	587 94 91-01	WASHER	8	2
8	587 98 10-01	CLIP		1
9	590 34 59-01	LEVER		1
10	590 34 62-01	BOLT	M8_45	1
11	590 34 63-01	SLEEVE	8_11_19.5	2
12	590 34 65-01	BLOCK		2
13	588 41 63-01	O-RING	11.2_2.65	2
14	590 34 67-01	BUSH	8.5_15_10	1
15	590 34 68-01	LOCK NUT		2
16	588 41 01-01	BOLT	M16_150	1
17	588 24 82-01	HOLDER		1
18	588 41 02-01	COVER		1
19	587 94 98-01	WASHER	6	1
20	587 94 99-01	BOLT	M6_16	1
21	588 40 99-01	SPRING WASHER	20	1
22	588 41 00-01	KNOB		1
23	588 08 92-01	BOLT	Hex M6_35	3
24	587 93 69-01	WASHER	6	3
25	588 41 03-01	THROTTLE CABLE		1
26	587 95 07-01	THROTTLE CONTROL		1
27	588 41 08-01	COVER		1
28	588 41 06-01	CONTROL		1
29	587 95 08-01	HANDLE GRIP		2
30	587 95 09-01	CLUTCH		1
31	588 41 09-01	CABLE		1
32	588 41 04-01	CABLE		1
33	590 34 69-01	HANDLEBAR		1
34	587 95 00-01	SUSPENSION		2
35	587 95 01-01	NUT	M6	3
36	590 34 70-01	BOLT	M8_55	1
37	587 94 90-01	WASHER	8	1
38	590 37 03-01	CLAMP		4
39	587 94 96-01	KNOB		1
40	588 40 98-01	TRAY	Gear	1
41	590 34 73-01	BRACKET		1
42	588 40 95-01	BOLT	M10_40	4
43	588 40 94-01	BOLT	M8_16	2



## IGNITION SYSTEM

TF 545D, 967639401, 2016-09

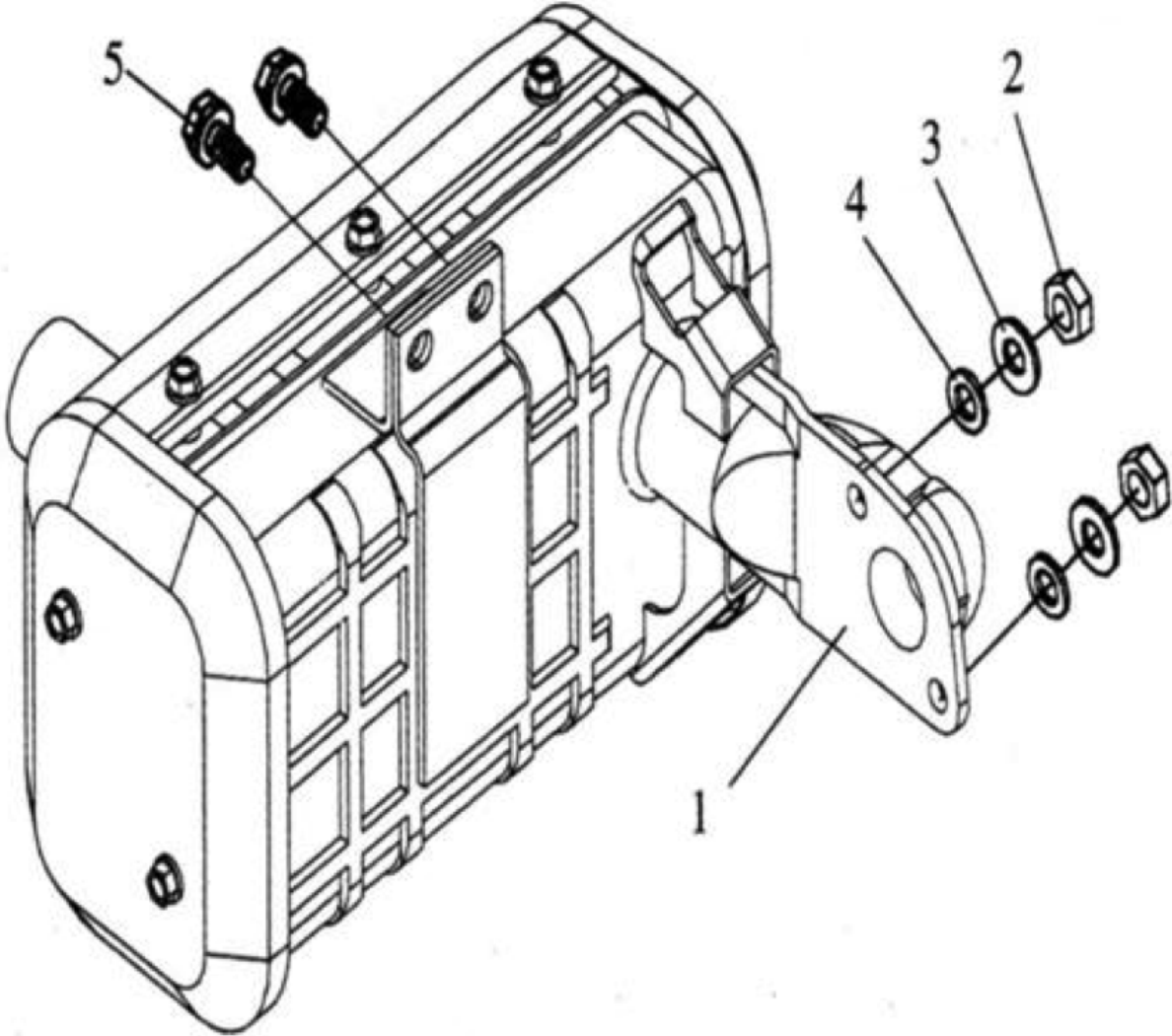
Ref	Part No	Description	Remark	QTY KIT
1	588 48 37-01	BALL BEARING		2
2	588 48 38-01	SHAFT		1
3	588 48 39-01	KEY	5_7	2
4	588 48 40-01	GEAR WHEEL		1
5	588 48 41-01	GEAR WHEEL		1
6	588 48 78-01	CRANKSHAFT		1
7	588 48 79-01	BALL		1
8	588 48 80-01	KEY	5_12	1
9	588 48 81-01	GEAR WHEEL		1
10	588 48 82-01	FLYWHEEL		1
11	588 48 83-01	NUT WASHER		1
12	588 48 84-01	NUT		1
13	588 48 86-01	STARTER PULLEY		1
14	588 48 88-01	BOLT	M6_12	4
15	588 49 77-01	KEY	5_14	1



INTAKE SYSTEM

TF 545D, 967639401, 2016-09

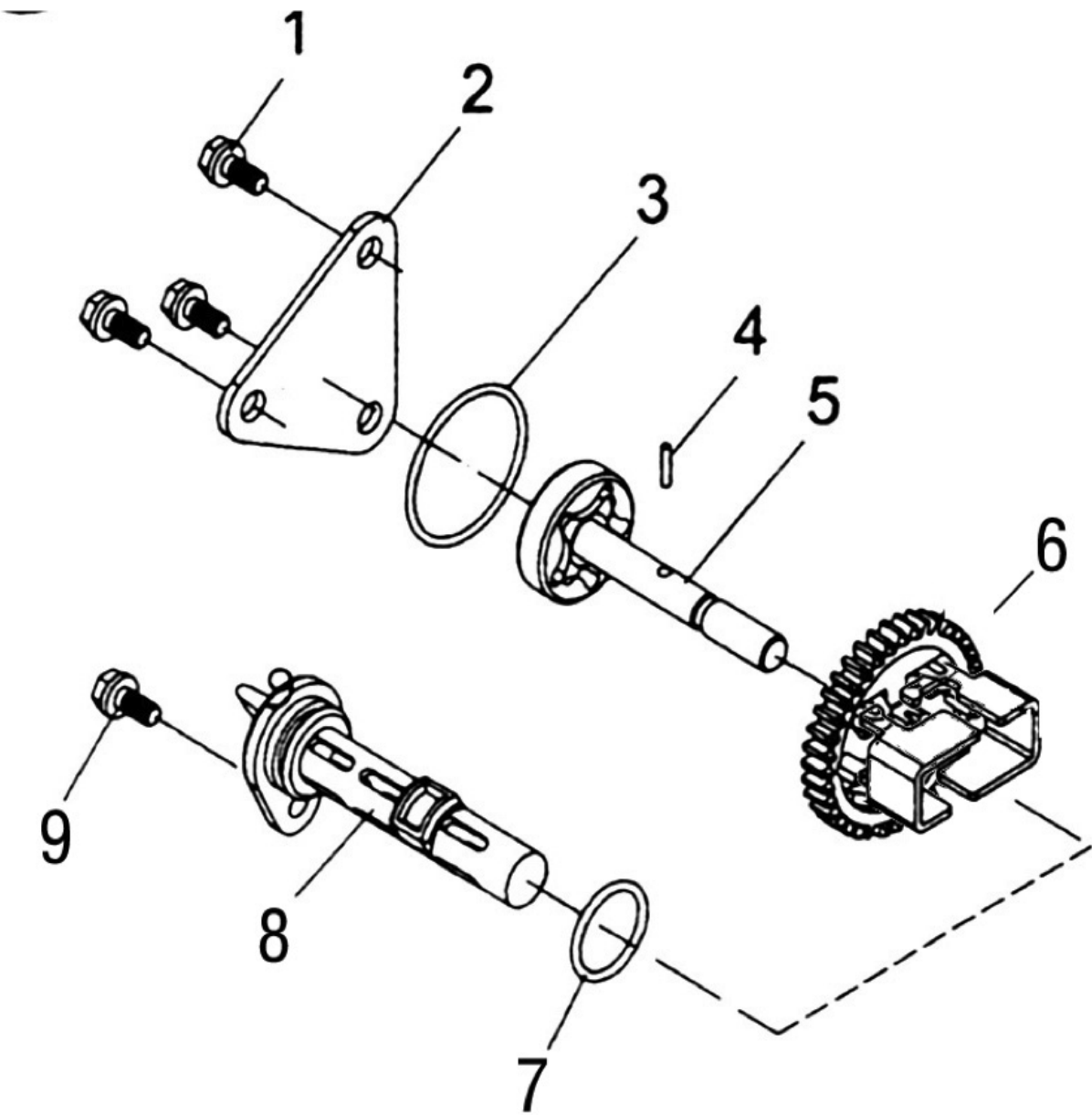
Ref	Part No	Description	Remark	QTY KIT
1	588 49 52-01	AIR FILTER		1
2	588 49 54-01	PIPE		1
3	588 49 55-01	GASKET		1
4	588 46 98-01	BOLT	M8_16	2
5	588 49 56-01	GASKET		1
6	588 49 57-01	PIPE		1
7	588 48 77-01	BOLT	M6_25	1
8	588 46 89-01	NUT	M6	2
9	501 16 72-01	FILTER		1



MUFFLER

TF 545D, 967639401, 2016-09

Ref	Part No	Description	Remark	QTY KIT
1	588 49 13-01	MUFFLER		1
2	588 49 14-01	NUT		2
3	588 49 15-01	SPRING WASHER		2
4	588 49 16-01	WASHER		2
5	588 46 98-01	BOLT	M8x16	2

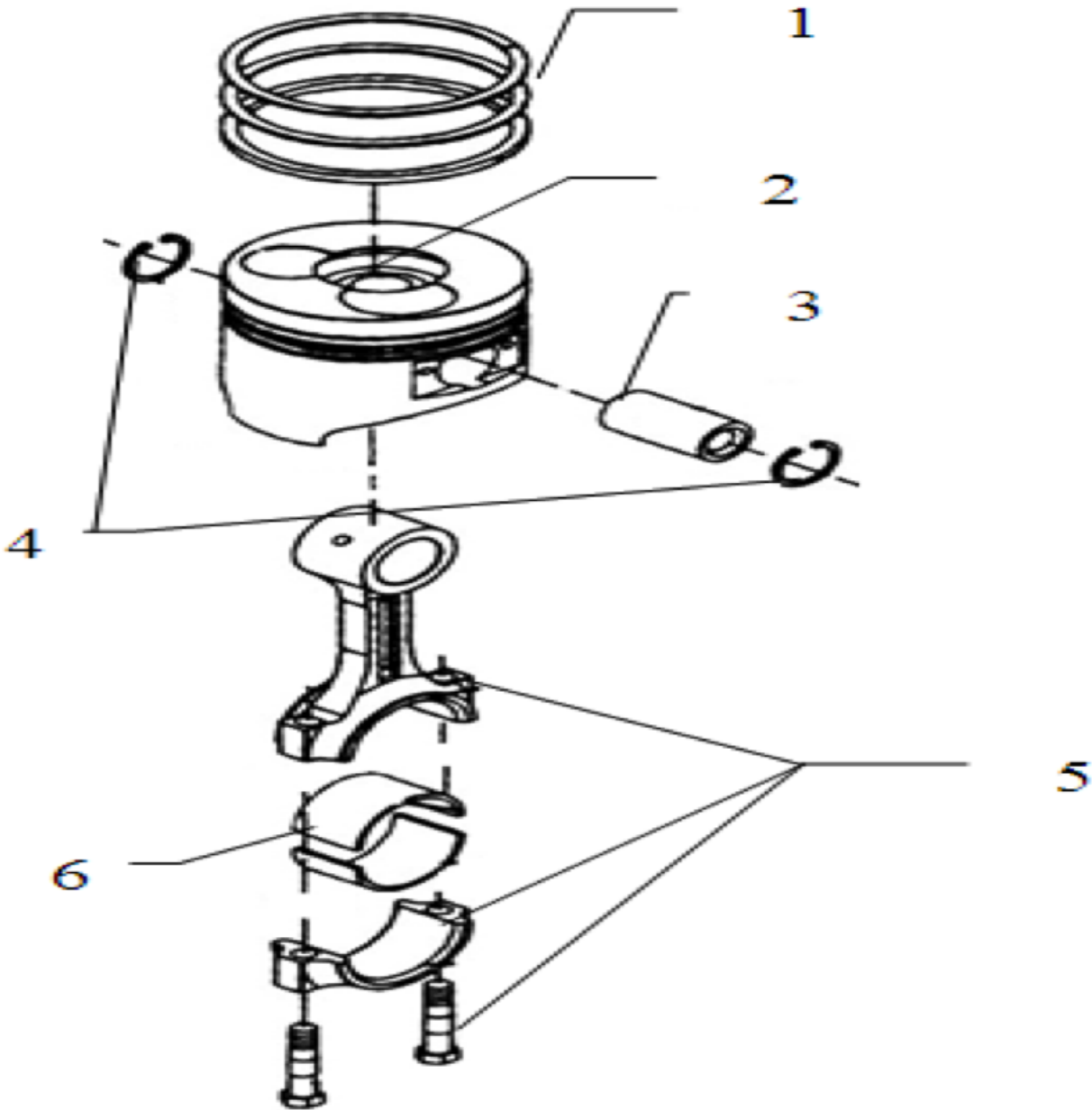




## OIL PUMP

TF 545D, 967639401, 2016-09

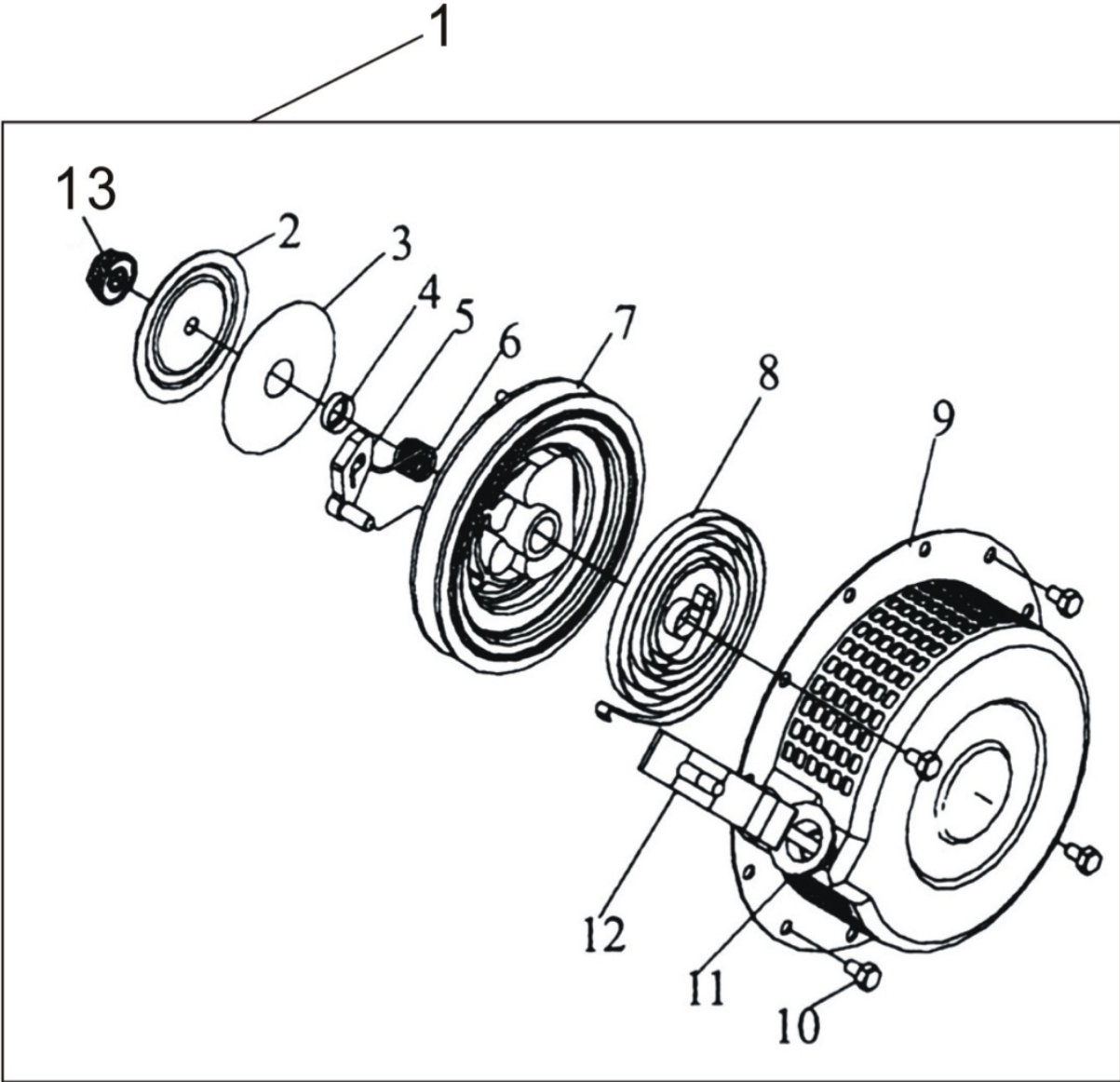
Ref	Part No	Description	Remark	QTY KIT
1	588 48 88-01	BOLT	M6_12	3
2	588 49 17-01	COVER		1
3	588 49 18-01	O-RING		1
4	588 49 19-01	PIN		1
5	588 49 20-01	OIL PUMP		1
6	588 49 78-01	GEAR WHEEL		1
7	588 46 79-01	O-RING		1
8	588 49 21-01	OIL FILTER		1
9	588 49 22-01	BOLT	M6_14	1



PISTON & CRANKSHAFT

TF 545D, 967639401, 2016-09

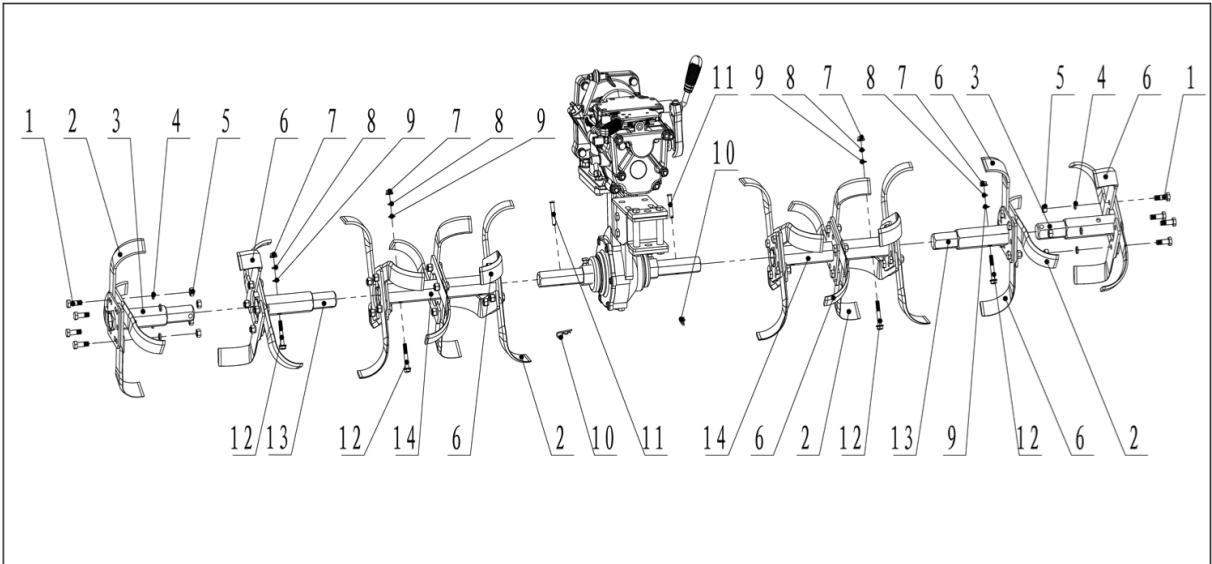
Ref	Part No	Description	Remark	QTY KIT
1	588 48 31-01	PISTON RING		1
2	588 48 32-01	PISTON		1
3	588 48 33-01	PISTON PIN		1
4	588 48 34-01	WASHER		2
5	588 48 35-01	CONNECTING ROD		1
6	588 48 36-01	BEARING		2



## STARTER

TF 545D, 967639401, 2016-09

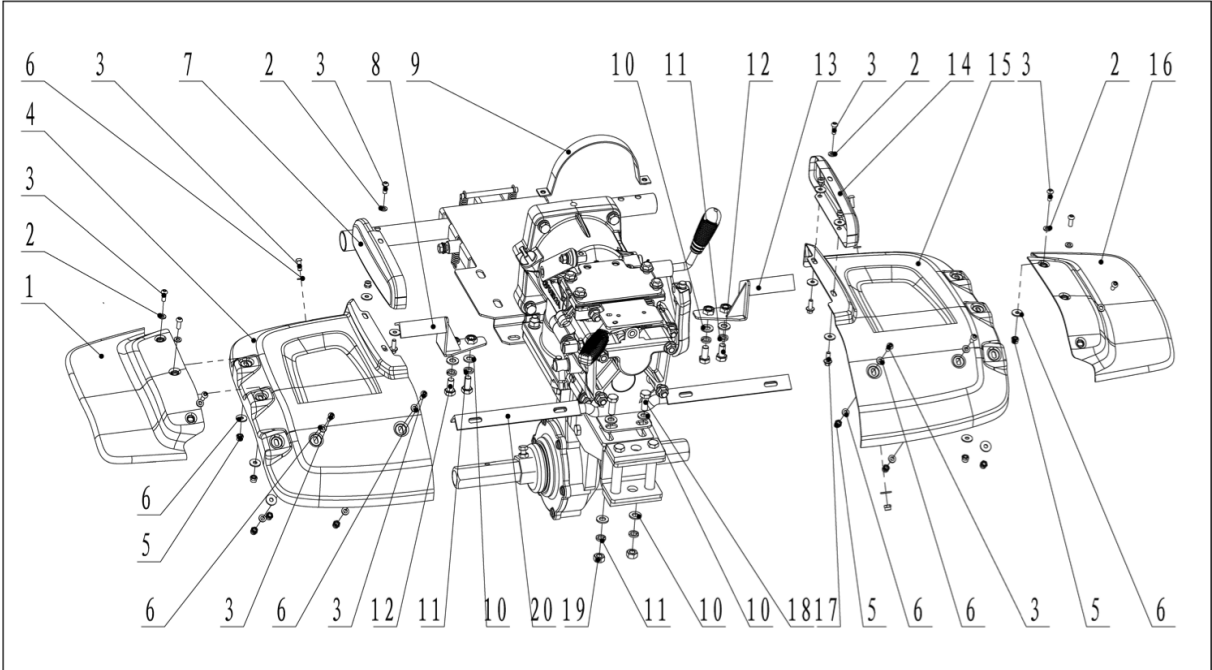
Ref	Part No	Description	Remark	QTY KIT
1	588 49 81-01	STARTER ASSY		1
2	588 49 82-01	REEL		1
3	588 49 83-01	PLATE		1
4	588 49 84-01	COVER		1
5	588 49 86-01	RATCHET		1
6	588 49 87-01	SPRING		1
7	588 49 88-01	REEL		1
8	588 49 89-01	SPRING		1
9	588 49 90-01	CASE		1
10	588 49 91-01	BOLT		4
11	588 49 92-01	STARTER ROPE		1
12	588 49 93-01	HANDLE		1
13	588 49 94-01	NUT		1



## TINE ASSEMBLY

TF 545D, 967639401, 2016-09

Ref	Part No	Description	Remark	QTY KIT
1	587 95 82-01	BOLT	M10_35	40
2	587 95 93-01	BLADE	Right Dry Land	20
3	588 46 04-01	HOLDER	2	2
4	587 93 68-01	SPRING WASHER	10	40
5	587 95 88-01	NUT	M10	40
6	587 95 89-01	BLADE	Left Dry Land	20
7	587 93 73-01	NUT	M8	4
8	587 94 91-01	WASHER	8	4
9	587 94 90-01	WASHER	8	4
10	587 95 26-01	CLIP	B	2
11	588 46 13-01	PIN		2
12	588 46 06-01	BOLT	M8_55	4
13	588 46 05-01	HOLDER	Sub Blade	2
14	588 46 09-01	HOLDER	Main Blade	2

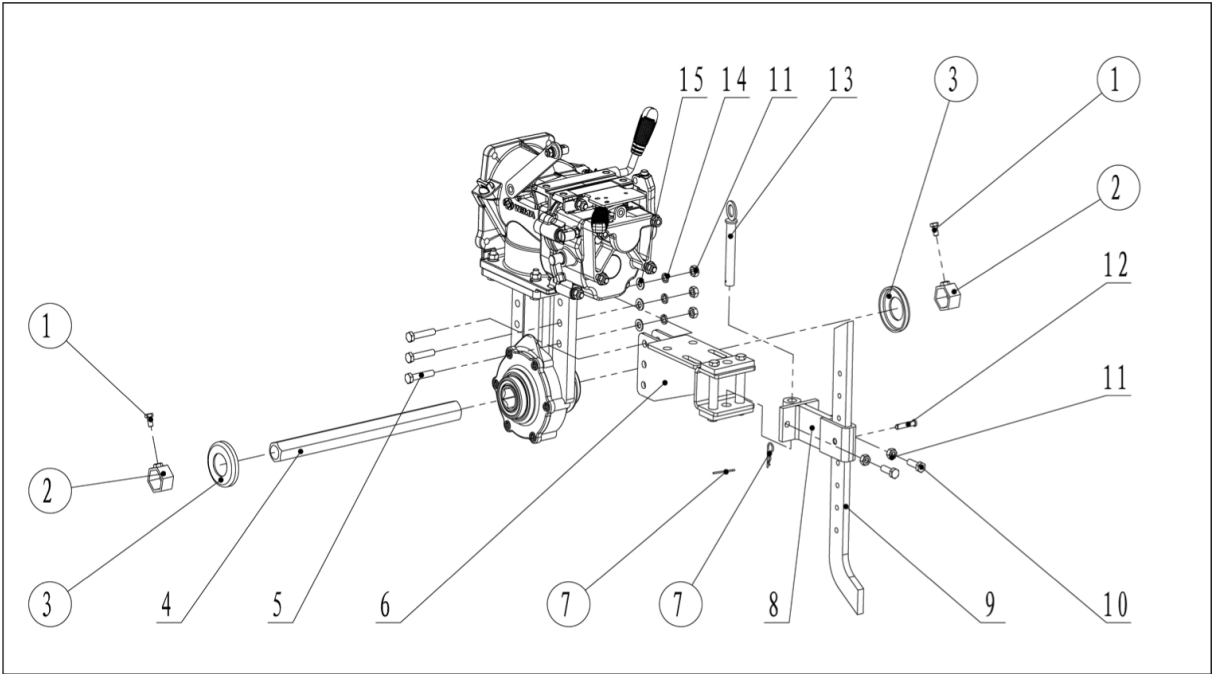




## TINE SHIELD

TF 545D, 967639401, 2016-09

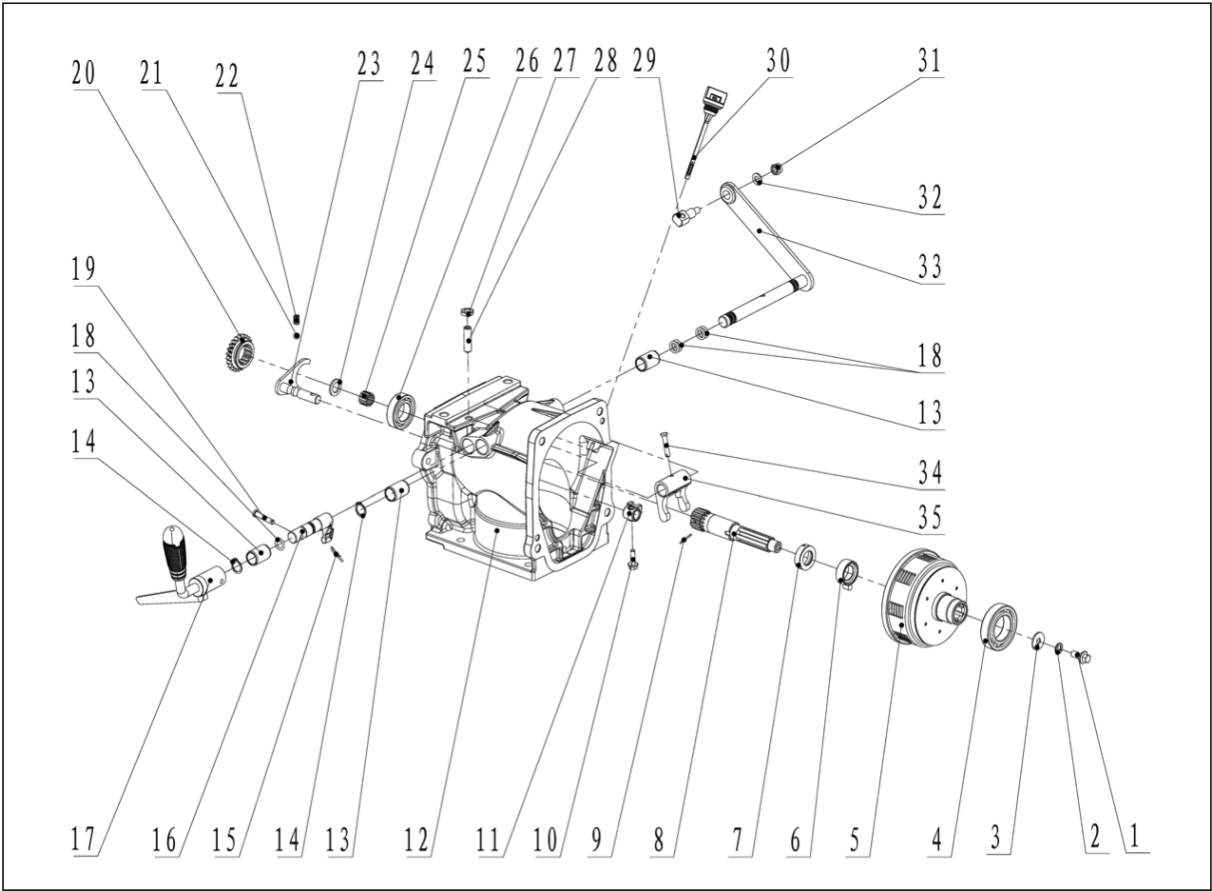
Ref	Part No	Description	Remark	QTY KIT
1	588 45 91-01	COVER		1
2	587 93 69-01	WASHER	6	8
3	587 94 99-01	BOLT	Hex M6_16	14
4	590 36 90-01	COVER	LH Tine	1
5	587 95 01-01	NUT	M6	16
6	587 94 98-01	WASHER	6	26
7	590 36 91-01	COVER		1
8	590 36 92-01	BRACKET		1
9	590 36 93-01	PLATE		1
10	587 98 29-01	WASHER	10	8
11	587 93 68-01	SPRING WASHER	10	6
12	588 45 95-01	BOLT	M10_20	4
13	590 36 94-01	BRACKET		1
14	590 36 97-01	COVER		1
15	590 36 98-01	COVER		1
16	588 46 03-01	COVER		1
17	588 55 19-01	BOLT	M6_16	4
18	588 45 98-01	BOLT	M10_25	2
19	587 95 88-01	NUT	M10	2
20	590 36 99-01	BRACKET		1



## TOW BAR

TF 545D, 967639401, 2016-09

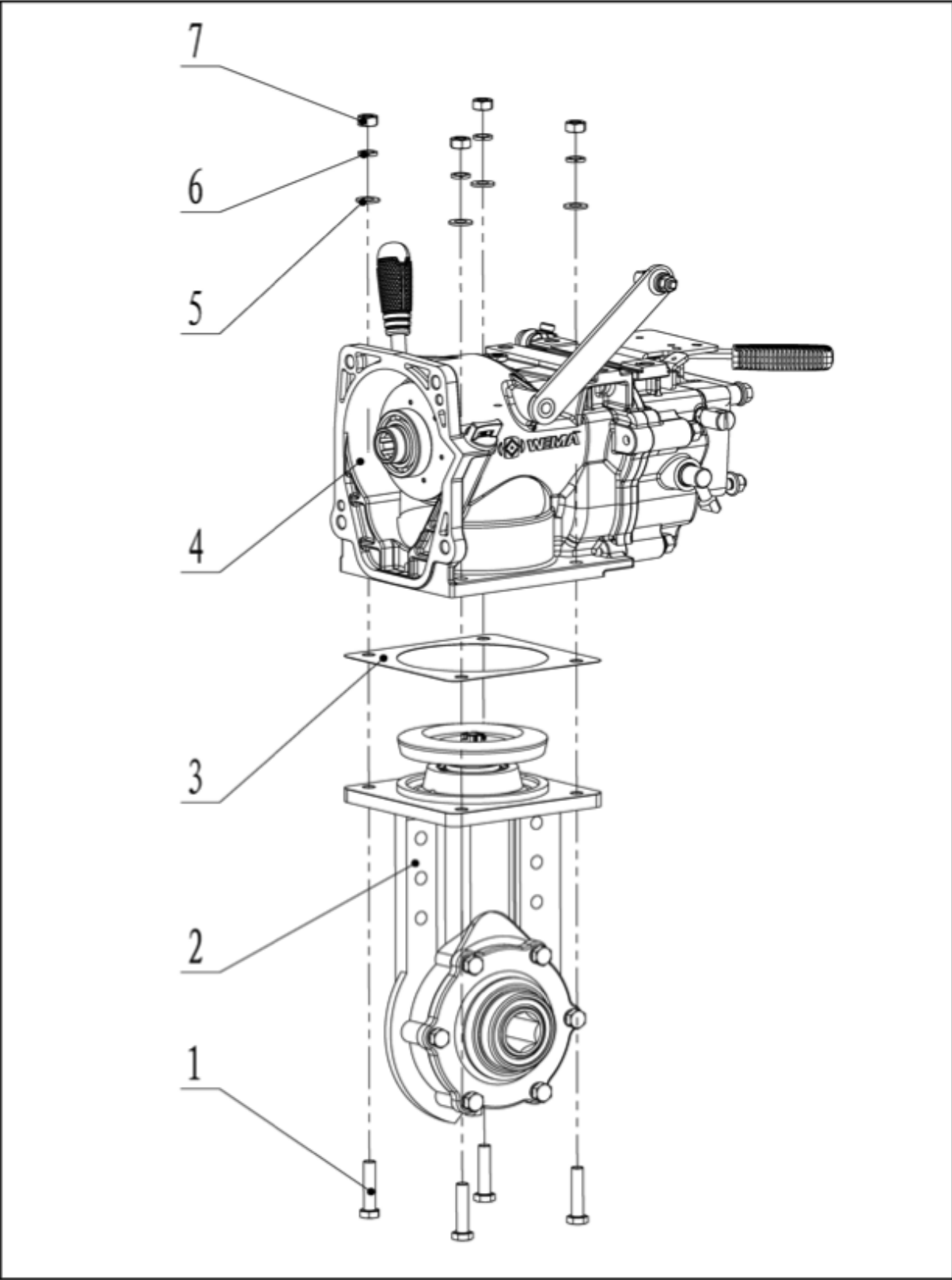
Ref	Part No	Description	Remark	QTY KIT
1	588 40 94-01	BOLT	M8_16	2
2	588 45 75-01	BUSH		2
3	588 45 76-01	COVER		2
4	588 46 23-01	SHAFT		1
5	588 45 78-01	BOLT	M10_50	3
6	590 36 88-01	BAR		1
7	587 98 10-01	CLIP	B	2
8	588 45 79-01	CONNECTOR		1
9	587 95 31-01	BAR		1
10	588 45 69-01	BOLT	M10_30	2
11	587 95 88-01	NUT	M10	5
12	587 98 56-01	PIN	8_43	1
13	588 45 80-01	PIN		1
14	587 93 68-01	SPRING WASHER	10	3
15	587 98 29-01	WASHER	10	3



## TRANSMISSION

TF 545D, 967639401, 2016-09

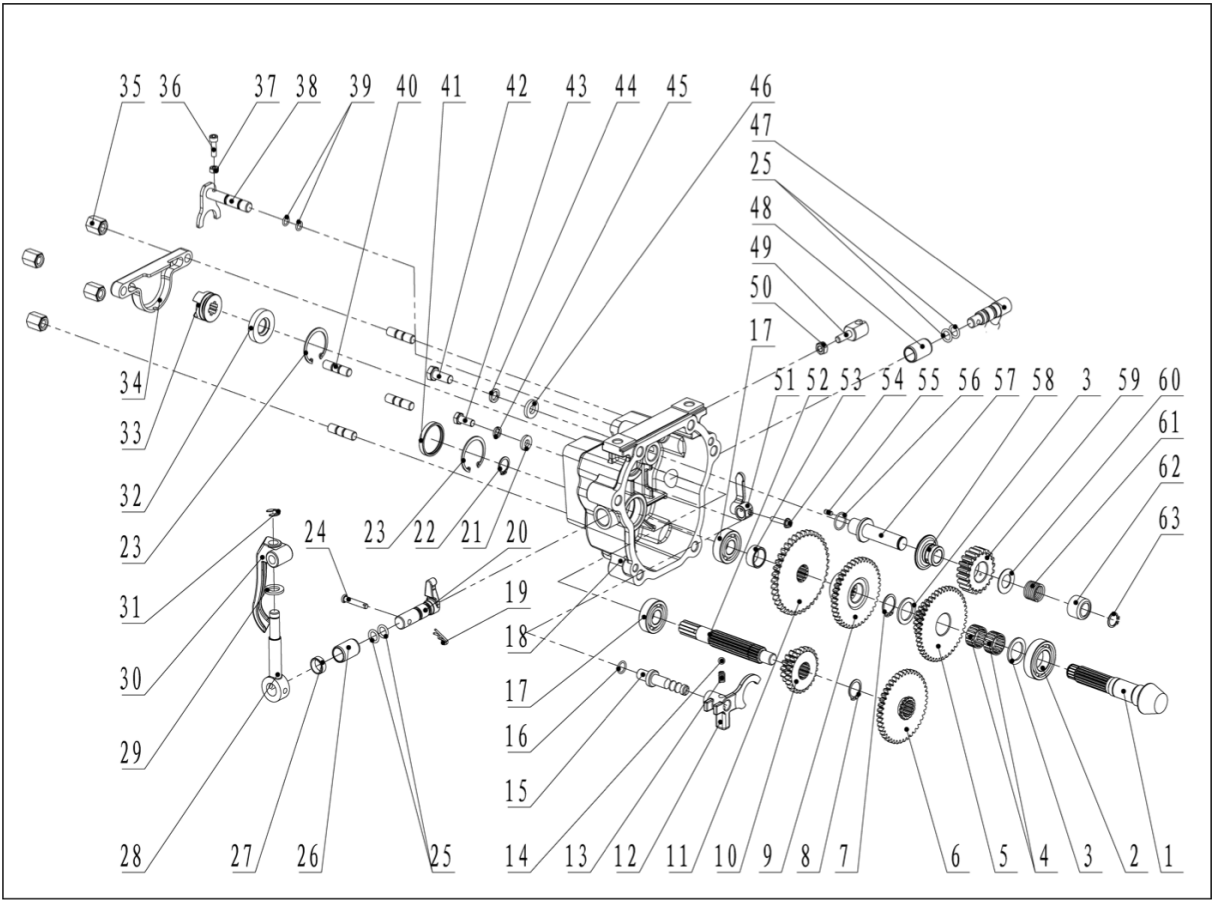
Ref	Part No	Description	Remark	QTY KIT
1	587 93 70-01	BOLT	M8_20	1
2	588 41 32-01	LOCKWASHER	8	1
3	588 41 33-01	WASHER	8	1
4	588 41 30-01	BALL BEARING	6007	1
5	590 35 30-01	CLUTCH		1
6	588 44 33-01	BUSH		1
7	588 44 32-01	DISC		1
8	590 34 77-01	SHAFT		1
9	590 34 79-01	PIN	2_28	1
10	590 34 81-01	BOLT	M6_20	1
11	590 34 91-01	RETAINER RING		1
12	589 89 58-01	HOUSING		1
13	590 34 95-01	BUSH	16_20_30	3
14	588 44 42-01	CIRCLIP	16	2
15	590 34 96-01	CIRCLIP	F	1
16	590 35 21-01	ROCKER LEVER		1
17	590 35 23-01	LEVER		1
18	588 41 63-01	O-RING	11.2_2.65	5
19	588 41 69-01	PIN	B 6_30	1
20	590 35 24-01	SHAFT		1
21	590 35 25-01	BALL		1
22	590 35 26-01	SPRING		1
23	590 35 27-01	FORK		1
24	590 35 28-01	WASHER		1
25	590 35 29-01	NEEDLE BEARING		1
26	590 35 31-01	BALL BEARING		1
27	590 35 32-01	NUT		1
28	590 35 33-01	POINTER		1
29	588 46 69-01	WIRE HOLDER		1
30	590 35 34-01	DIPSTICK		1
31	588 41 67-01	SPRING WASHER	8	1
32	587 93 74-01	NUT	8	1
33	588 41 66-01	AXLE		1
34	588 41 69-01	PIN	B 6_30	1
35	588 41 70-01	FORK	Fork	1



## TRANSMISSION

TF 545D, 967639401, 2016-09

Ref	Part No	Description	Remark	QTY KIT
1	588 40 95-01	BOLT	M10_40	4
2	588 46 36-01	CASE		1
3	590 34 74-01	GASKET		1
4	590 34 75-01	GEARBOX ASSY		1
5	587 98 29-01	WASHER	10	4
6	587 93 68-01	SPRING WASHER	10	4
7	587 95 88-01	NUT	M10	4

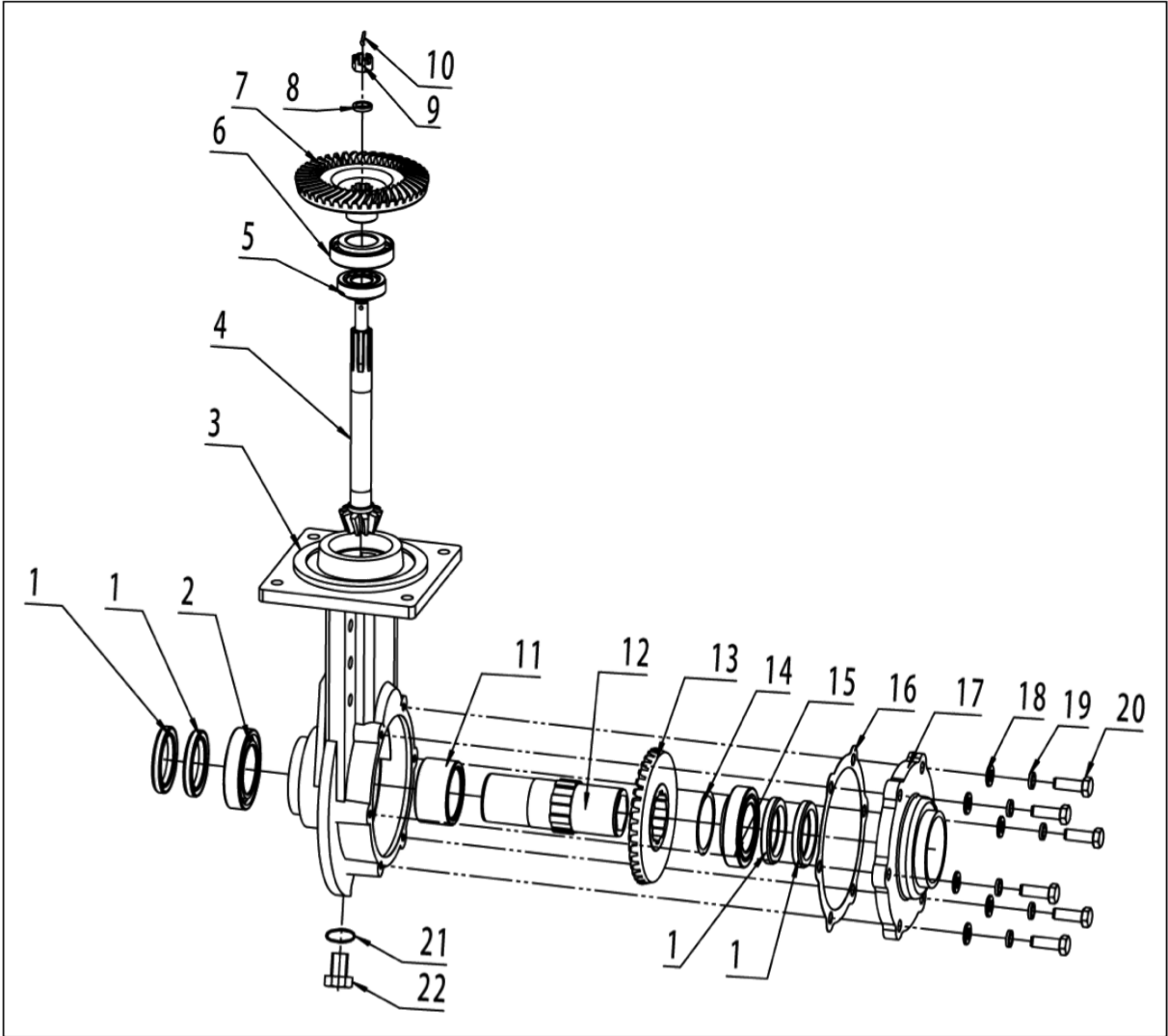




## TRANSMISSION

TF 545D, 967639401, 2016-09

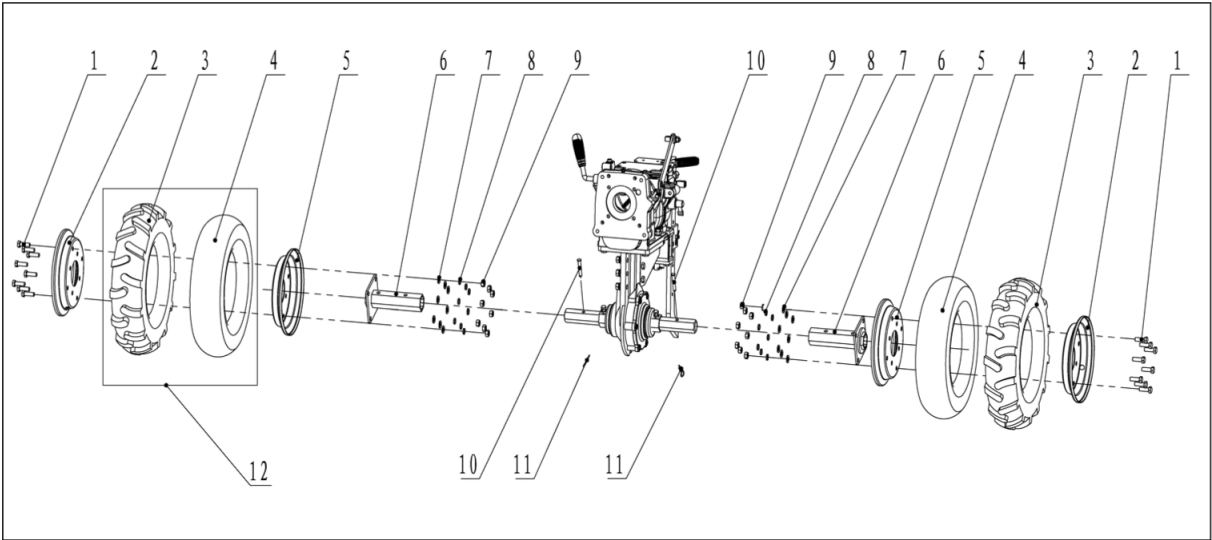
Ref	Part No	Description	Remark	QTY KIT
1	590 35 35-01	SHAFT		1
2	590 35 36-01	BALL BEARING	6005	1
3	590 35 37-01	WASHER		2
4	590 35 38-01	NEEDLE BEARING		2
5	590 35 39-01	SHAFT		1
6	590 35 41-01	SHAFT		1
7	590 35 42-01	SPRING WASHER	22	1
8	590 35 43-01	SPRING WASHER	20	1
9	590 35 44-01	SHAFT		1
10	590 35 45-01	SHAFT		1
11	590 35 46-01	SHAFT		1
12	590 35 47-01	FORK		1
13	590 36 29-01	SPRING		1
14	590 36 30-01	BALL		1
15	590 36 31-01	SHAFT		1
16	590 36 32-01	O-RING	11.8_1.8	1
17	590 36 33-01	BALL BEARING	6203	2
18	590 36 34-01	COVER		1
19	590 36 35-01	CIRCLIP	F	1
20	590 36 36-01	ROCKER LEVER		1
21	590 36 37-01	GASKET	8_18_3	1
22	590 36 38-01	SPRING WASHER	17	1
23	590 36 39-01	RING		2
24	590 36 40-01	PIN	6_35	1
25	588 41 68-01	O-RING	10.2_2.65	4
26	590 36 41-01	BUSH	16_20_30	1
27	590 36 42-01	SHIM		1
28	590 36 43-01	ROD		1
29	590 36 44-01	GASKET	12	1
30	590 36 45-01	STOP SLEEVE		1
31	590 36 46-01	WASHER	9	1
32	590 36 47-01	SEAL		1
33	590 36 48-01	CARRIER		1
34	590 36 49-01	COVER		1
35	590 36 50-01	NUT		4
36	590 36 51-01	BOLT	M6_20	1
37	590 36 62-01	DIAMOND TOOL	M6	1
38	590 36 53-01	FORK		1
39	590 36 54-01	O-RING	1.8_8	2
40	590 36 55-01	STUD	1.5d M10_25	4
41	590 36 56-01	OIL PLUG	40_6	1
42	588 41 44-01	BOLT	M10_25	1
43	590 36 57-01	BOLT	M8_20	1
44	590 36 58-01	SPRING WASHER	10	1
45	590 36 63-01	SPRING WASHER	8	1
46	590 36 64-01	WASHER		1
47	590 36 65-01	SHAFT		1
48	588 41 62-01	BUSH	Fork Axle	1
49	590 36 68-01	BRACKET		1
50	590 36 69-01	BOLT	M8	1
51	590 36 70-01	FORK		1
52	590 36 71-01	SHAFT		1
53	590 36 72-01	SHIM		1
54	590 36 73-01	BOLT	M5_25	1
55	588 44 50-01	PIN		1
56	588 41 81-01	O-RING	18_1.8	1
57	590 36 74-01	SHAFT		1
58	590 36 75-01	PLATE		1
59	590 36 76-01	GEAR WHEEL		1
60	590 36 77-01	WASHER	16.5_30_1	1
61	590 36 79-01	SPRING		1
62	590 36 80-01	SHIM		1
63	590 36 81-01	SPRING WASHER	15	1



## WALKING CASE

TF 545D, 967639401, 2016-09

Ref	Part No	Description	Remark	QTY KIT
1	588 44 56-01	SEAL	B45_62_8	4
2	588 44 66-01	BALL BEARING		1
3	588 44 67-01	SHELL		1
4	588 44 68-01	AXLE		1
5	588 44 69-01	BALL BEARING		1
6	588 44 70-01	BALL BEARING		1
7	588 44 71-01	GEAR WHEEL		1
8	588 44 72-01	SPRING WASHER	12	1
9	588 44 73-01	NUT	M12	1
10	588 44 75-01	PIN	2.5_20	1
11	588 46 71-01	SLEEVE		1
12	588 46 70-01	SHAFT		1
13	588 45 58-01	GEAR		1
14	588 45 60-01	WASHER		1
15	588 45 62-01	BALL BEARING		1
16	588 45 63-01	GASKET		1
17	588 45 66-01	COVER		1
18	587 98 29-01	WASHER	10	6
19	587 93 68-01	SPRING WASHER	10	6
20	588 45 69-01	BOLT		6
21	588 41 68-01	O-RING	10.2_2.65	1
22	587 94 51-01	BOLT	M12_1.5_15	1



## WHEELS &amp; TIRES

TF 545D, 967639401, 2016-09

Ref	Part No	Description	Remark	QTY KIT
1	587 95 82-01	BOLT	M10_25	16
2	587 95 83-01	RIM	LH Spoke	2
3	582 10 31-01	TIRE	outer	2
4	582 10 43-01	TUBE	Inner	2
5	587 95 85-01	RIM	RH Spoke	2
6	588 46 11-01	WHEEL AXLE		2
7	587 98 29-01	WASHER	10	16
8	587 93 68-01	SPRING WASHER	10	16
9	587 95 88-01	NUT	M10	16
10	588 46 13-01	PIN		2
11	587 95 26-01	CLIP	B	2
12	587 95 84-01	TIRE	4.0-8	2