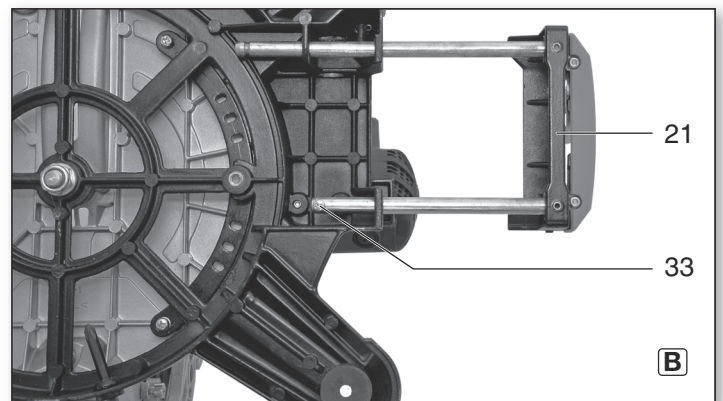
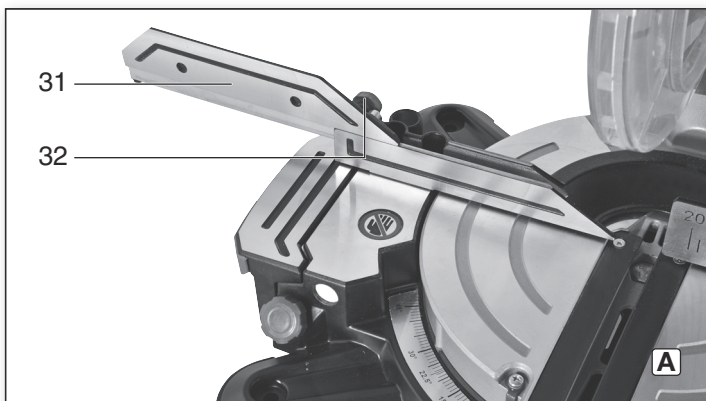
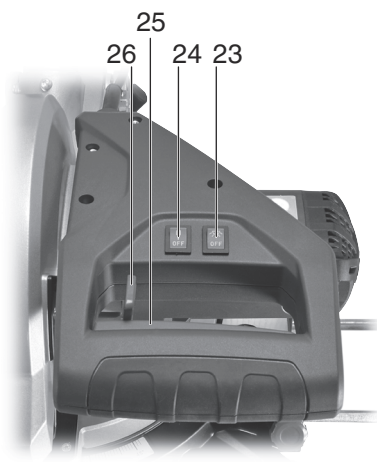
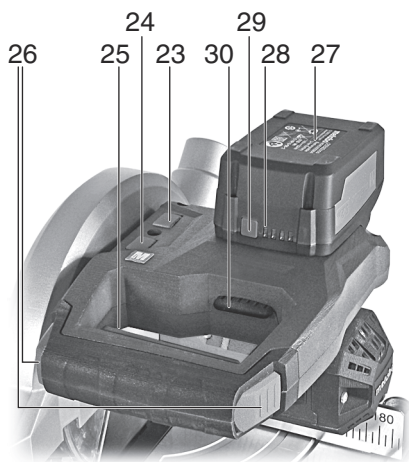
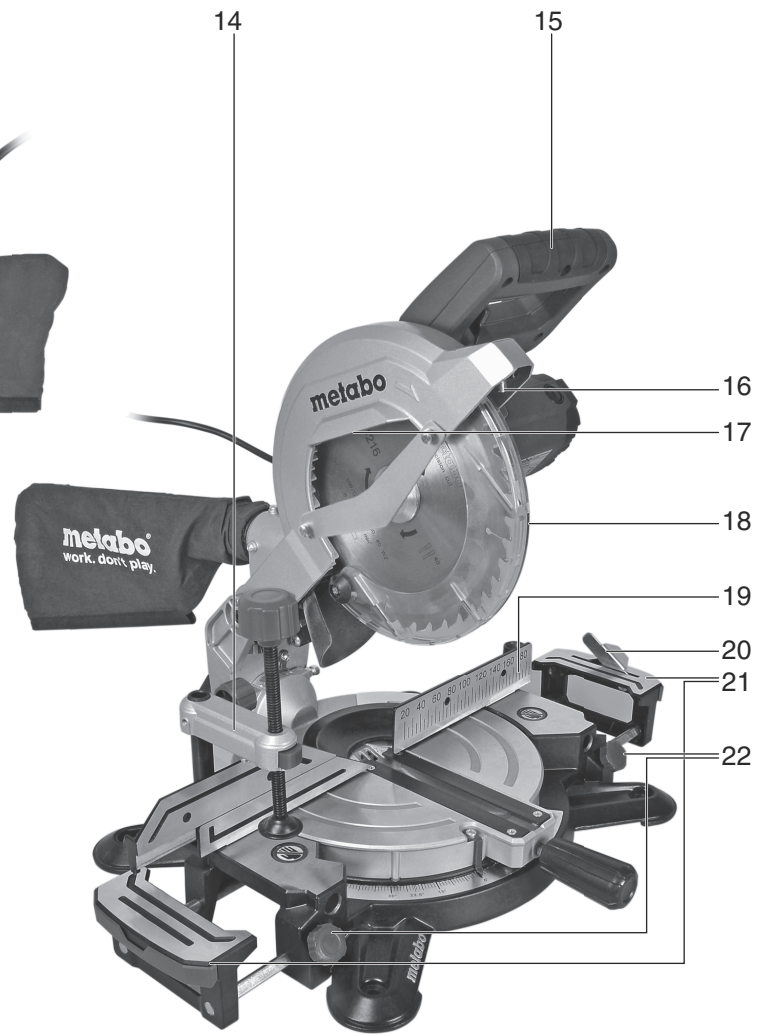
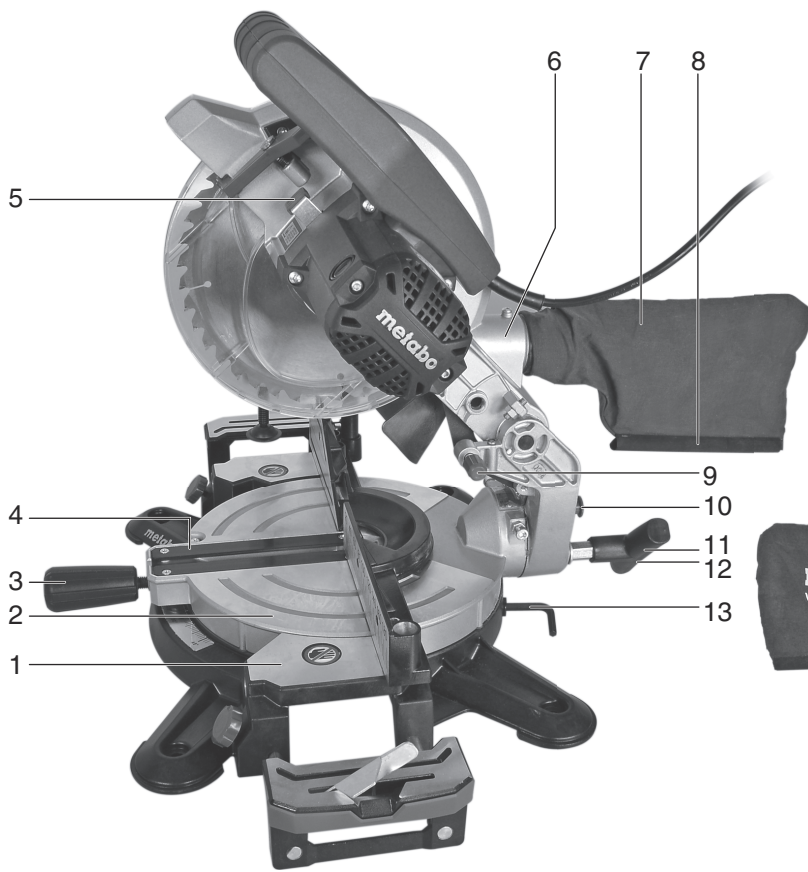


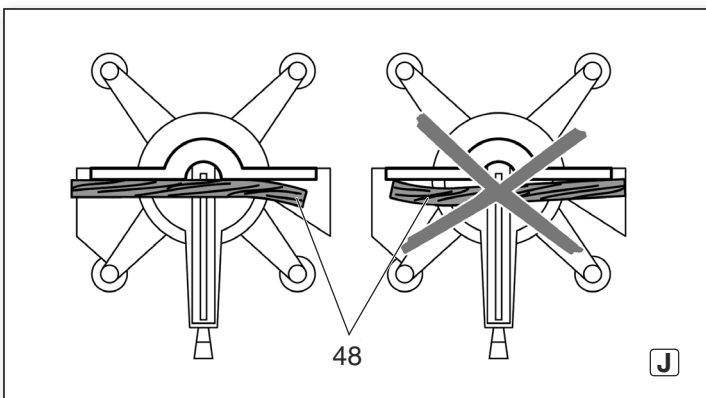
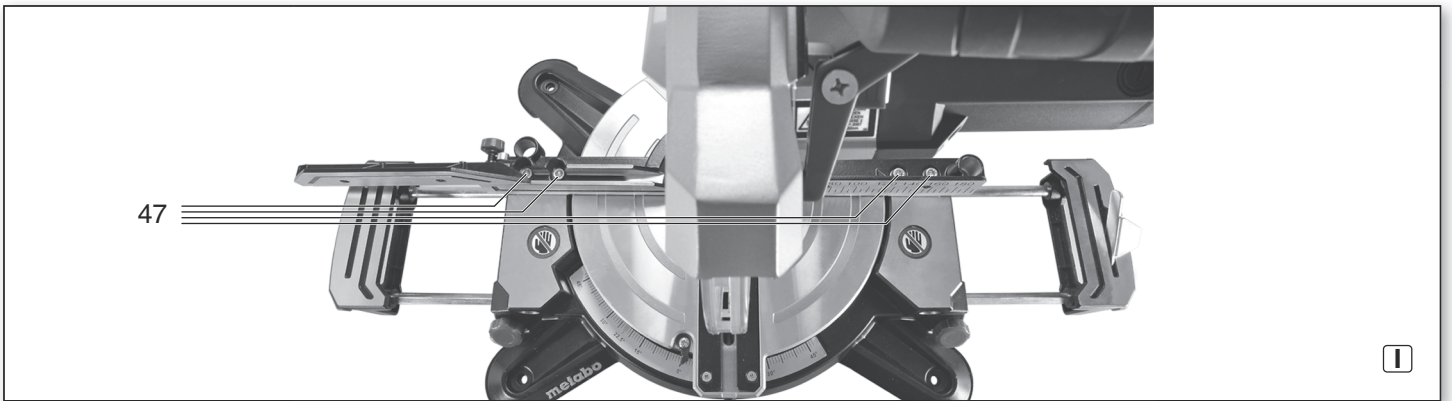
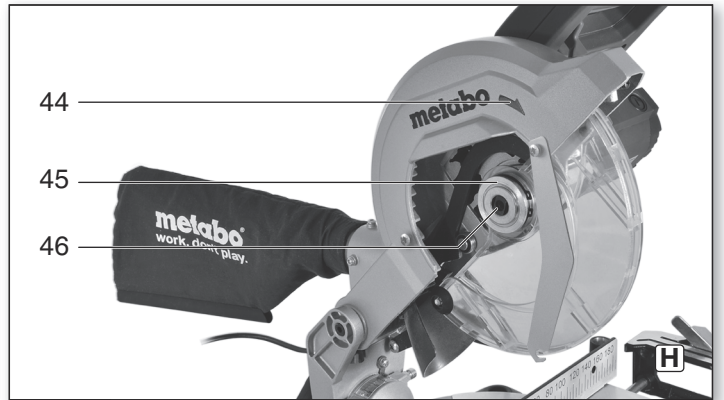
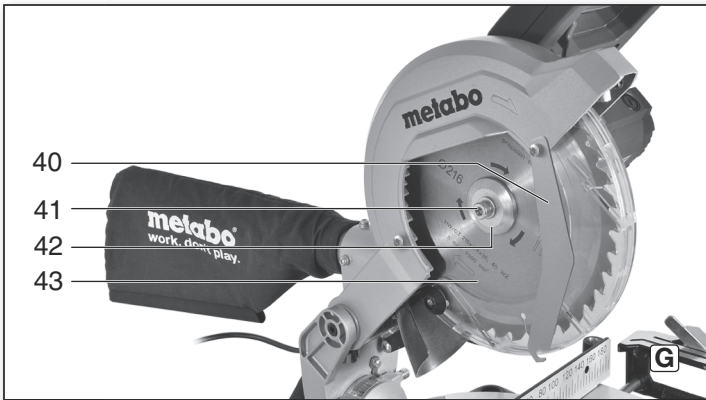
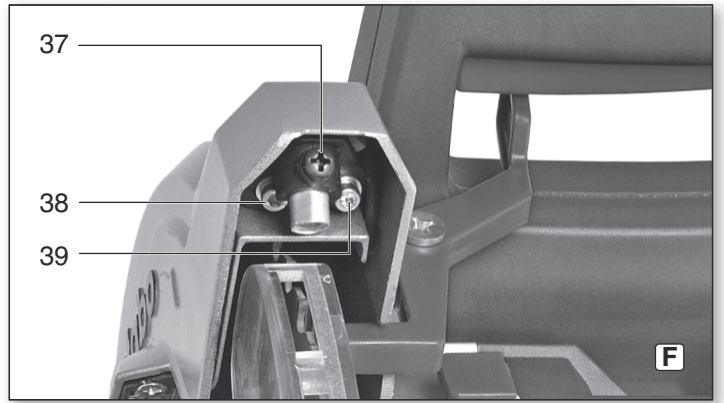
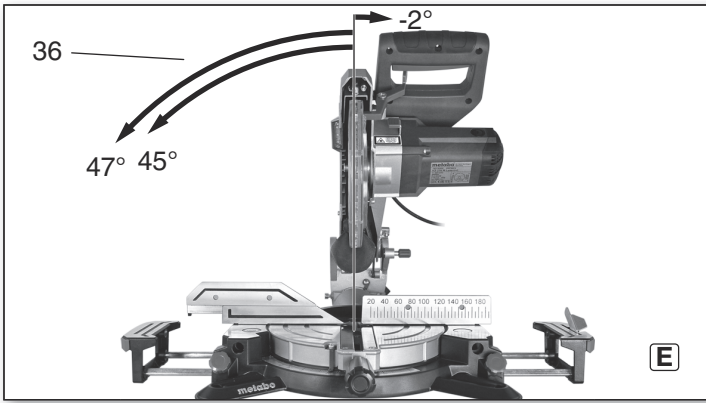
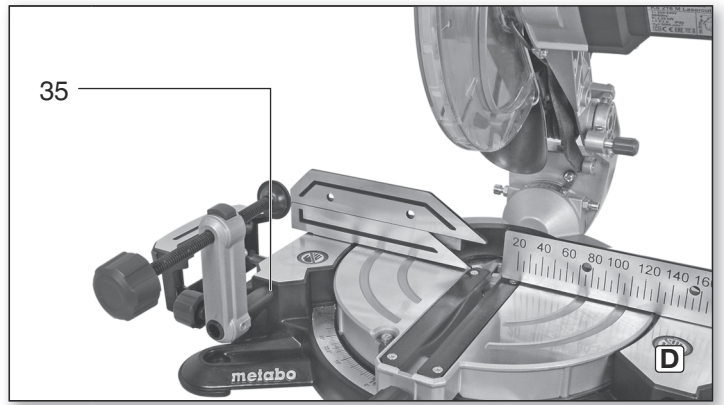
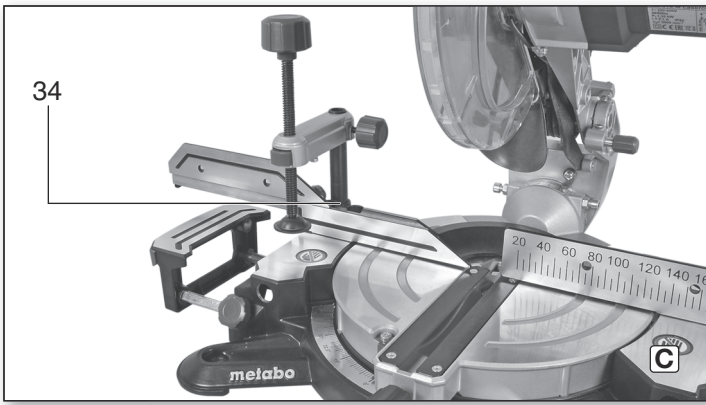
KS 216 M Lasercut
KS 18 LTX 216




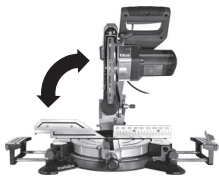
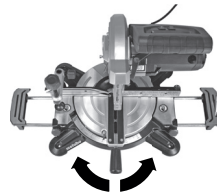
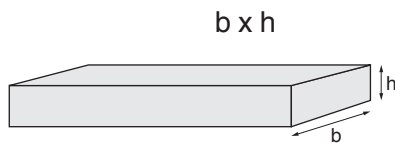
en Operating Instructions 5
fr Mode d'emploi 11

es Instrucciones de manejo 18





		KS 216 M Lasercut		KS 18 LTX 216
*1) Serial Number		19216..		19000..
U	V	110-120 (1~ 50/60 Hz)	220-240 (1~ 50/60 Hz)	18
I	A	11,6	5,1	-
F	A	T 16 A	T 10 A	-
P ₁	kW	1,1 kW (S1) 1,35 kW (S6 20% 5 min)	1,2 kW (S1) 1,5 kW (S6 20% 5 min)	-
IP	-	IP 20		-
n ₀	/min, rpm	5000		4200
v ₀	ft/s (m/s)	187 (57)		187 (57)
D	in (mm)	8 1/2 (216)		8 1/2 (216)
d	in (mm)	5/8 (16)		5/8 (16)
b	in (mm)	3/32 (2,4)		1/16 (1,8)
A	in (mm)	18 3/4 x 18 5/16 x 11 1/4 (475 x 465 x 285)		18 3/4 x 18 5/16 x 12 3/4 (475 x 465 x 325)
m	lbs (kg)	20.7 (9.4)		21.2 (9.6)
D _{1-i}	in (mm)	1 3/8 (35)		1 3/8 (35)
D _{1-a}	in (mm)	1 5/8 (41)		1 5/8 (41)
D ₂	m ³ /h	460		460
D ₃	Pa	530		530
D ₄	ft/s (m/s)	65.6 (20)		65.6 (20)
L _{pA} /K _{pA}	dB(A)	93 / 3		97 / 3
L _{WA} /K _{WA}	dB(A)	100 / 3		104 / 3



b x h	0°	15°	22,5°	30°	45°
0°	4 3/4 in x 2 3/8 in (120 mm x 60 mm)	4 5/16 in x 2 3/8 in (110 mm x 60 mm)	4 1/8 in x 2 3/8 in (105 mm x 60 mm)	3 7/8 in x 2 3/8 in (100 mm x 60 mm)	3 1/8 in x 2 3/8 in (80 mm x 60 mm)
45°	4 3/4 in x 1 3/4 in (120 mm x 45 mm)	4 5/16 in x 1 3/4 in (110 mm x 45 mm)	4 1/8 in x 1 3/4 in (105 mm x 45 mm)	3 7/8 in x 1 3/4 in (100 mm x 45 mm)	3 1/8 in x 1 3/4 in (80 mm x 45 mm)

		Volts Volts Voltios	Total length of cord in feet Longueur totale du cordon électrique en pieds Longitud total de cuerda en el pie			
Ampere Rating Ampérage Amperaje		120 V	25 ft	50 ft	100 ft	150 ft
More Than Plus que Más que	Not More Than Pas plus que No más que	AWG				
6	10		18	16	14	12
10	12		16	16	14	12
12	16		14	12	not recommended non recommandé no recomendado	

Metabowerke GmbH,
Postfach 1229
Metabo-Allee 1
D-72622 Nuertingen
Germany

Operating Instructions

Contents

1. Declaration of Conformity
2. Specified Use
3. General Safety Instructions
4. Special Safety Instructions
5. Overview
6. Setup and transport
7. The device in detail
8. Commissioning
9. Operation
10. Care And Maintenance
11. Tips and Tricks
12. Accessories
13. Repairs
14. Environmental Protection
15. Troubleshooting
16. Technical Specifications

1. Specified Use

The mitre saw is suited for longitudinal and cross cuts, inclined cuts, mitre cuts and double mitre cuts.

Only materials for which the respective saw blade is suited may be machined (approved saw blades see chapter 11. Accessories).

The permissible dimensions of the stock have to be adhered to (see chapter 15. Technical Specifications).

Workpieces with round or irregular cross-section (such as firewood) must not be cut, as they cannot be held securely during the cutting process. When sawing a thin workpiece laid on its edge, a suitable guide must be used for firm support.

Any other use does not comply with the intended purpose. Unspecified use, modification of the tool or use of parts that have not been tested and approved by the manufacturer can cause unforeseeable damage!

2. General Safety Instructions



For your own protection and for the protection of your electrical tool, pay attention to all parts of the text that are marked with this symbol!

! WARNING



Reading the operating instructions will reduce the risk of injury.

Pass on your power tool only together with these documents.

General Power Tool Safety Warnings

! WARNING

Read all safety warnings and all instructions. Failure to follow all safety warnings and instructions may result in electric shock, fire and/or serious injury.

Keep all safety instructions and information for future reference! The term "power tool" in the warnings refers to your mains-operated (corded) power tool or battery-operated (cordless) power tool.

1. KEEP GUARDS IN PLACE and in working order.
2. REMOVE ADJUSTING KEYS AND WRENCHES. Form habit of checking to see that keys and adjusting wrenches are removed from tool before turning it on.
3. KEEP WORK AREA CLEAN. Cluttered areas and benches invite accidents.
4. DON'T USE IN DANGEROUS ENVIRONMENT. Don't use power tools in damp or wet locations, or expose them to rain. Keep work area well lighted.

5. KEEP CHILDREN AWAY. All visitors should be kept safe distance from work area.

6. MAKE WORKSHOP KID PROOF with padlocks, master switches, or by removing starter keys.

7. DON'T FORCE TOOL. It will do the job better and safer at the rate for which it was designed.

8. USE RIGHT TOOL. Don't force tool or attachment to do a job for which it was not designed.

9. USE PROPER EXTENSION CORD. Make sure your extension cord is in good condition. When using an extension cord, be sure to use one heavy enough to carry the current your product will draw. An undersized cord will cause a drop in line voltage resulting in loss of power and overheating. Table (A) (see Table on page 4) shows the correct size to use depending on cord length and nameplate ampere rating. If in doubt, use the next heavier gage. The smaller the gage number, the heavier the cord.

10. WEAR PROPER APPAREL. Do not wear loose clothing, gloves, neckties, rings, bracelets, or other jewelry which may get caught in moving parts. Non-slip footwear is recommended. Wear protective hair covering to contain long hair.

11. ALWAYS USE SAFETY GLASSES. Also use face or dust mask if cutting operation is dusty. Everyday eyeglasses only have impact resistant lenses, they are NOT safety glasses.

12. SECURE WORK. Use clamps or a vise to hold work when practical. It's safer than using your hand and it frees both hands to operate tool.

13. DON'T OVERREACH. Keep proper footing and balance at all times.

14. MAINTAIN TOOLS WITH CARE. Keep tools sharp and clean for best and safest performance. Follow instructions for lubricating and changing accessories.

15. DISCONNECT TOOLS before servicing; when changing accessories, such as blades, bits, cutters, and the like.

16. REDUCE THE RISK OF UNINTENTIONAL STARTING. Make sure switch is in off position before plugging in.

17. USE RECOMMENDED ACCESSORIES. Consult the owner's manual for recommended accessories. The use of improper accessories may cause risk of injury to persons.

18. NEVER STAND ON TOOL. Serious injury could occur if the tool is tipped or if the cutting tool is unintentionally contacted.

19. CHECK DAMAGED PARTS. Before further use of the tool, a guard or other part that is damaged should be carefully checked to determine that it will operate properly and perform its intended function - check for alignment of moving parts, binding of moving parts, breakage of parts, mounting, and any other conditions that may affect its operation. A guard or other part that is damaged should be properly repaired or replaced.

20. DIRECTION OF FEED. Feed work into a blade or cutter against the direction of rotation of the blade or cutter only.

21. NEVER LEAVE TOOL RUNNING UNATTENDED. TURN POWER OFF. Don't leave tool until it comes to a complete stop.

2.1 Work area safety

a) **Keep work area clean and well lit.** Untidy or poorly lit workplaces can cause accidents.

b) **Do not operate power tools in explosive atmospheres, such as in the presence of flammable liquids, gases or dust.** Power tools create sparks which may ignite the dust or fumes.

c) **Keep children and bystanders away while operating a power tool.** Distractions can cause you to lose control.

2.2 Electrical safety

a) **Power tool plugs must match the outlet. Never modify the plug in any way. Do not use any adapter plugs with earthed or grounded power tools.** Unmodified plugs and matching outlets will reduce risk of electric shock.

b) **Avoid body contact with earthed or grounded surfaces, such as pipes, radiators,**

ranges and refrigerators. There is an increased risk of electric shock if your body is earthed or grounded.

c) **Do not expose power tools to rain or wet conditions.** Water entering a power tool will increase the risk of electric shock.

d) **Do not abuse the cord. Never use the cord for carrying, pulling or unplugging the power tool. Keep cord away from heat, oil, sharp edges or moving parts.** Damaged or entangled cords increase the risk of electric shock.

e) **When operating a power tool outdoors, use an extension cord suitable for outdoor use.** Use of a cord suitable for outdoor use reduces the risk of electric shock.

f) **If operating a power tool in a damp location is unavoidable, use a residual current circuit breaker (RCCB).** Use of a residual current circuit breaker reduces the risk of electric shock.

2.3 Personal safety

a) **Stay alert, watch what you are doing and use common sense when operating a power tool. Do not use a power tool while you are tired or under the influence of drugs, alcohol or medication.** A moment of inattention while operating power tools may result in serious personal injury.

b) **Use personal protective equipment. Always wear eye protection.** Protective equipment such as dust mask, non-skid safety shoes, hard hat, or hearing protection used for appropriate conditions will reduce personal injuries.

c) **Prevent unintentional starting. Ensure the switch is in the off-position before connecting to power source and/or battery pack, picking up or carrying the tool.** Carrying power tools with your finger on the switch or energising power tools that have the switch on invites accidents.

d) **Remove any adjusting key or wrench before turning the power tool on.** A wrench or a key left attached to a rotating part of the power tool may result in personal injury.

e) **Do not overreach. Keep proper footing and balance at all times.**

This enables better control of the power tool in unexpected situations.

f) **Dress properly. Do not wear loose clothing or jewellery. Keep your hair, clothing and gloves away from moving parts.** Loose clothes, jewellery or long hair can be caught in moving parts.

g) **If devices are provided for the connection of dust extraction and collection facilities, ensure these are connected and properly used.** Use of dust extraction can reduce dust-related hazards.

h) **Don't lull yourself into a false sense of security and ignore the safety regulations for power tools, even if you are familiar with the power tool after frequent use.** Failure to observe the following warnings can result in serious injury or damage to property.

2.4 Use and handling the power tool

a) **Do not force the power tool. Use the correct power tool for your application.** The correct power tool will do the job better and safer at the rate for which it was designed.

b) **Do not use the power tool if the switch does not turn it on and off.** Any power tool that cannot be controlled with the switch is dangerous and must be repaired.

c) **Disconnect the plug from the power source and/or the battery pack from the power tool before making any adjustments, changing accessories, or storing power tools.** Such preventive safety measures reduce the risk of starting the power tool accidentally.

d) **When not in use, store the power tools out of the reach of children. Do not allow personnel to use the device unless they are already familiar with it or have read these instructions.** Power tools are dangerous in the hands of untrained users.

e) **Maintain power tools and accessories carefully. Check for misalignment or binding of moving parts, breakage of parts and any other condition that may affect the power tool's operation. If damaged, have the power**

tool repaired before use. Many accidents are caused by poorly maintained power tools.

f) **Keep cutting tools sharp and clean.** Properly maintained cutting tools with sharp cutting edges are less likely to bind and are easier to control.

g) **Use the power tool, accessories, tool bits etc. in accordance with these instructions.** Take into consideration the working conditions and tasks required. Use of the power tool for operations different from those intended could result in a hazardous situation.

h) **Keep the handles and handle surfaces dry, clean and free of oil and grease.** Slippery handles and handle surfaces do not permit safe handling and control of the power tool in unforeseen situations.

2.5 Battery tool use and care

a) **Ensure the switch is in the off position before inserting battery pack.** Inserting the battery pack into power tools that have the switch on invites accidents.

b) **Recharge only with the charger specified by the manufacturer.** A charger that is suitable for one type of battery pack may create a risk of fire when used with another battery pack.

c) **Use power tools only with specifically designated battery packs.** Use of any other battery packs may create a risk of injury and fire.

d) **When battery pack is not in use, keep it away from other metal objects like paper clips, coins, keys, nails, screws, or other small metal objects that can make a connection from one terminal to another.** Shorting the battery terminals together may cause burns or a fire.

e) **Under abusive conditions, liquid may be ejected from the battery; avoid contact. If contact accidentally occurs, flush with water. If liquid contacts eyes, additionally seek medical help.** Liquid ejected from the battery may cause irritation or burns.

f) **Disconnect battery pack from tool or place the switch in the locked or off position before making any adjustments, changing accessories, or storing the tool.** Such preventive safety measures reduce the risk of starting the tool accidentally.

g) **Do not use damaged or modified batteries.** Damaged or modified batteries may behave unpredictably and lead to fire, explosion or risk of injury.

h) **Do not expose the battery pack to fire or excessive temperatures.** Fire or temperatures above 265 °F (130 °C) can cause an explosion.

i) **Follow all instructions on charging and never charge the battery or the cordless tool outside the temperature range indicated in the operating instructions.** Incorrect charging or charging outside the permitted temperature range may destroy the battery and increase the risk of fire.

2.6 Service

a) **Have your power tool serviced by a qualified repair person using only identical replacement parts.** This will ensure that the safety of the power tool is maintained.

b) **Never service damaged batteries.** Any servicing of batteries should only be carried out by the manufacturer or authorised customer service points.

2.7 Additional Safety Instructions

– These operating instructions are intended for people with basic technical knowledge in handling machines such as the one described here. If you have had no experience with machines of this kind, you should initially work under the supervision of people with previous experience.

– The manufacturer bears no liability for damage caused by non-compliance with these operating instructions.

3. Special Safety Instructions

a) **Mitre saws are intended to cut wood or wood-like products, they cannot be used to cut ferrous materials such as bars, rods, studs etc.** Abrasive dust causes blockage of

movable parts such as the lower guard. Sparks from abrasive cutting will burn the lower guard, the kerf insert and other plastic parts.

b) **Use clamps to support the workpiece whenever possible. If supporting the workpiece by hand, you must always keep your hand at least 4 in (100 mm) from either side of the saw blade. Do not use this saw to cut pieces that are too small to be securely clamped or held by hand.** If your hand is placed too close to the saw blade, there is an increased risk of injury from blade contact.

c) **The workpiece must be stationary and clamped or held against both the fence and the table. Do not feed the workpiece into the blade or cut "freehand" in any way.** Unrestrained or moving workpieces could be thrown at high speeds, causing injury.

d) **Never cross your hand over the intended line of cutting either in front or behind the saw blade.** Supporting the workpiece "cross handed" i.e. holding the workpiece to the right of the saw blade with your left hand or vice versa is very dangerous.

e) **Never reach behind the fence when the saw blade is rotating. Do not undercut a safety distance of 4 in (100 mm) between the hand and the rotating saw blade (applies to both sides of the saw blade, e.g. when removing wood scraps).** The proximity of the spinning saw blade to your hand may not be obvious and you may be seriously injured.

f) **Inspect your workpiece before cutting. If the workpiece is bowed or warped, clamp it with the outside bowed face toward the fence. Always make certain that there is no gap between the workpiece, fence and table along the line of the cut.** Bent or warped workpieces can twist or shift and may cause binding on the spinning saw blade while cutting. There should be no nails or foreign objects in the workpiece.

g) **Do not use the saw until the table is clear of all tools, wood scraps, etc., except for the workpiece.** Small debris or loose pieces of wood or other objects that contact the revolving blade can be thrown with high speed.

h) **Cut only one workpiece at a time.** Stacked multiple workpieces cannot be adequately clamped or braced and may bind on the blade or shift during cutting.

i) **Ensure the mitre saw is mounted or placed on a level, firm work surface before use.** A level and firm work surface reduces the risk of the mitre saw becoming unstable.

j) **Plan your work. Every time you change the bevel or mitre angle setting, make sure the adjustable fence is set correctly to support the workpiece and will not interfere with the blade or the guarding system.** Without turning the tool "ON" and with no workpiece on the table, move the saw blade through a complete simulated cut to assure there will be no interference or danger of cutting the fence.

k) **Provide adequate support such as table extensions, saw horses, etc. for workpieces that are wider or longer than the table top.** Workpieces longer or wider than the mitre saw table can tip if not securely supported. If the cut-off piece or workpiece tips, it can lift the lower guard or be thrown by the spinning blade.

l) **Do not use another person as a substitute for a table extension or as additional support.** Unstable support for the workpiece may lead to binding of the blade. The workpiece can also shift during the cutting operation pulling you and the helper into the spinning blade.

m) **The cut-off piece must not be jammed or pressed by any means against the spinning saw blade.** If confined, i.e. using length stops, the cut-off piece could get wedged against the blade and thrown violently.

n) **Always use a clamp or a fixture designed to properly support round material such as rods or tubing.** Rods have a tendency to roll while being cut, causing the blade to "bite" and pull the work with your hand into the blade.

o) **Let the blade reach full speed before contacting the workpiece.** This will reduce the risk of the workpiece being thrown.

p) **If the workpiece or blade becomes jammed, turn off the mitre saw. Wait for all moving parts to stop and disconnect the plug**

from the power source and/or remove the battery pack. Then work to free the jammed material. Continued sawing with a jammed workpiece could cause loss of control or damage to the mitre saw.

q) **After finishing the cut, release the switch, hold down the saw head and wait for the blade to stop before removing the cut-off piece.** Reaching with your hand near the coasting blade is dangerous.

3.1 Additional Safety Instructions

- Please also observe the special safety instructions in the respective chapters.
- Where applicable, follow the legal directives or regulations for the prevention of accidents.



General hazards!

- Consider environmental conditions:
- Use suitable workpiece supports when cutting long stock.
- The saw shall only be started and operated by persons familiar with circular saws and who are at any time aware of the dangers associated with the operation of such tools. Persons under 18 years of age shall use this tool only in the course of their vocational training, under the supervision of an instructor.
- Keep bystanders, particularly children, out of the danger zone. Do not permit other persons to touch the tool or power cable while it is running.
- Avoid overheating of the saw teeth.
- When sawing plastic, avoid melting of the plastic.



Risk of personal injury and crushing by moving parts!

- Do not operate the tool without installed guards.
- Always keep sufficient distance to the saw blade. Use suitable feeding aids, if necessary. Keep sufficient distance to driven components when operating the power tool.
- Wait for the saw blade to come to a complete stop before removing cutoffs, scrap, etc. from the work area.
- Cut only workpieces of dimensions that allow for safe and secure holding while cutting.
- Use clamping devices or a vice to hold the workpiece. It is held safer by these devices than by your hand.
- Do not attempt to stop the saw blade by pushing the workpiece against its side.
- Remove the mains plug from the socket or remove the detachable battery pack before carrying out any settings, maintenance or repairs.
- If the device is not in use, pull the mains plug or remove the detachable battery pack.



Cutting hazard, even with the cutting tool at standstill!

- Wear gloves when changing cutting tools.
- Store saw blade in such manner that nobody will get hurt.



Danger from kickback of the saw head (saw blade gets caught in the workpiece and the saw head suddenly kicks back)!

- Select a saw blade suited for the material to be cut.
- Keep the handle tight. When the saw blade enters the workpiece, the risk of kickback is particularly high.
- Cut thin or thin-walled workpieces only with fine-toothed saw blades.
- Always use sharp saw blades. Replace damaged saw blades immediately. There is an increased risk of kickback if a blunt sawtooth gets caught in the workpiece's surface.
- Do not jam workpieces.
- If in doubt, check workpiece for inclusion of foreign matter (e.g. nails or screws).

- Never cut several workpieces at the same time – and also no bundles containing several individual pieces. Risk of personal injury if individual pieces are caught by the saw blade uncontrolled.



Drawing-in/trapping hazard!

- Ensure that during operation no parts of the body or clothing can be caught and drawn in by rotating components (**no ties no gloves, no clothes with wide sleeves; contain long hair with a hairnet**).
- Never cut workpieces to which ropes, cords, strings, cables or wires are attached or which contain such materials.



Hazard generated by insufficient personal protection gear!

- Wear hearing protection.
- Wear protective goggles.
- Wear dust mask.
- Wear suitable work clothes.
- Wear non-slip footwear.
- Wear gloves when handling saw blades and rough tools. Carry saw blades in a container.



Risk of injury by inhaled wood dust!

- Work only with a suitable dust collector attached to the saw. The dust extraction unit must comply with the values stated in chapter 15..

Additional Warnings:

⚠ WARNING Some dust created by power sanding, sawing, grinding, drilling, and other construction activities contains chemicals known to cause cancer, birth defects or other reproductive harm. Some examples of these chemicals are:

- Lead from lead-based paints,
- Crystalline silica from bricks and cement and other masonry products, and
- Arsenic and chromium from chemically treated lumber.

Your risk from these exposures varies, depending on how often you do this type of work. To reduce your exposure to these chemicals: work in a well ventilated area, and work with approved safety equipment, such as those dust masks that are specially designed to filter out microscopic particles.



Hazard generated by modification of the machine or use of parts not tested and approved by the equipment manufacturer!

- Assemble tool in strict accordance with these instructions.
- Use only parts approved by the equipment manufacturer. This applies especially for:
 - saw blades (for order numbers, refer to chapter 11. Accessories).
 - Safety devices.
 - Cutting laser
 - Illumination of cutting line
- Do not change any parts.
- Ensure that the speed indicated on the saw blade is at least the same as the speed indicated on the saw.



Hazard generated by tool defects!

- Before every use check tool for possible damage: before operating the tool all safety devices, protective guards or slightly damaged parts need to be checked for proper function as specified. Check to see that all moving parts work properly and do not jam. All parts must be correctly installed and fulfil all conditions necessary to ensure perfect operation of the unit.
- Do not used any damaged or contorted saw blades.



Risk of injury by noise!

- Wear hearing protection.



Danger from blocking workpieces or workpiece parts!

If blockage occurs:

1. switch machine off,
2. Pull the mains plug or remove the detachable battery pack,
3. wear gloves,
4. clear the blockage using a suitable tool.

3.2 Special safety instructions for cordless machines:

Remove the battery pack from the machine before making any adjustments, changing tools, maintaining or cleaning.



Protect battery packs from water and moisture!



Do not expose battery packs to fire!



Do not use faulty or deformed battery packs!
Do not open battery packs!
Do not touch contacts or short-circuit battery packs!



A slightly acidic, flammable fluid may leak from defective Li-ion battery packs!



If battery fluid leaks out and comes into contact with your skin, rinse immediately with plenty of water. If battery fluid leaks out and comes into contact with your eyes, wash them with clean water and seek medical attention immediately!

Transporting li-ion battery packs: The shipping of li-ion battery packs is subject to laws relating to the carriage of hazardous goods (UN 3480 and UN 3481). Inform yourself of the currently valid specifications when shipping li-ion battery packs. If necessary, consult your freight forwarder. Certified packaging is available from Metabo.

3.3 Symbols on the machine (depends on model)



Read the operating instructions.



Never place hands into running saw blade.



Wear protective goggles and ear protectors.



Never operate the tool in a damp or wet environment.



Laser radiation - Do not look into the light beam.



..... Class II Construction
V..... volts
A..... amperes
Hz..... hertz
.../min revolutions per minute
~..... alternating current
= Direct current
n₀..... rated speed

3.4 Safety devices

Retractable blade guard (18)

The retractable blade guard protects against unintentional contact with the saw blade and from chips flying about.

Safety lock (26)

Cordless tools: The machine can only be switched on when the safety lock is activated.

Mains-powered tools: The retractable blade guard opens and the saw can be lowered only when the safety lock is activated.

Parallel guide/ ripping fence (19)

The parallel guide/ ripping fence prevents that the workpiece can be moved during the cutting

process. During operation, the parallel guide/ ripping fence always has to be installed.

The additional profile (31) at the parallel guide/ ripping fence has to be moved for inclined cuts after loosening the set screw (32).

4. Overview

See page 2.

- 1 Table
 - 2 Turntable
 - 3 Locking lever for turntable
 - 4 Table insert
 - 5 Saw blade lock
 - 6 Chip extraction nozzle
 - 7 Chip bag
 - 8 Closing the chip bag
 - 9 Transport lock
 - 10 Locking button (to extend the angle of inclination by +/- 2°)
 - 11 Locking lever for setting the angle of inclination
 - 12 Handle
 - 13 Allen key / tool storage for Allen key
 - 14 Work clamp
 - 15 Saw handle
 - 16 Laser beam egress point
 - 17 Cutting line illumination
 - 18 Retractable blade guard
 - 19 Parallel guide / ripping fence
 - 20 Longitudinal stop
 - 21 Table extension
 - 22 Locking screw of the table width extension
 - 23 On/off switch of the cutting line illumination
 - 24 On/off switch of the cutting laser
 - 25 On/off switch of the saw (the hole in the switch should be used to secure the machine with a padlock from being switched on by unauthorised persons)
 - 26 Safety lock
 - 27 Battery pack*
 - 28 Capacity and signal indicator *
 - 29 Capacity indicator button *
 - 30 Battery pack release button *
- * depends on model / equipment

5. Setup and transport

Install table width extension (21) if required (depending on model)

1. Remove right and left table width extension from the transport packaging.
2. Remove screws (33) at the guide rails of the right and left table width extension.
3. Push the guide rails of the table width extensions completely into the recesses. Insert the table width extension with folding length guide (20) on the right side.
4. Lift the device at the front legs, carefully tilt it backwards and put it down so it will not fall over.
5. Tighten again the screws (33) at the guide rails.
6. Take the front legs of the device, carefully tilt it forwards and put down.
7. Set the desired table width and lock the table width extensions with locking screws (22).

Attaching the additional handle

The machine is supplied with a laser warning label in German. Before using the machine, cover this label with the relevant enclosed laser warning label in your national language.

Installation

The device has to be mounted on a stable support for safe working.

– The support can be either a firmly mounted work top or work bench.

– Even when machining larger workpieces the device has to have a secure stand.

– Long workpieces must get additional support with suitable accessories.

NOTICE

For mobile use, the device can also be fixed to a plywood or coreboard panel (20 in x 20 in (500 mm x 500 mm), at least 3/4 in (19 mm) thick)

using screws. During use, the panel has to be fixed to a work bench using screw clamps.

1. Fix device to the support using screws.
2. Loosen transport lock (9): Push saw head slightly downwards and hold. Pull out transport lock (9).

CAUTION

Transport lock (9) is not to be used for any cutting operation. It is for carrying and storage only.

3. Swivel saw head slightly upwards.

Transport

1. Swivel saw head downwards and push in transport lock (9).

CAUTION

Do not hold the saw at the protective installations during transport.

2. Lift the device at the handle (12) and carry it.

6. The device in detail

6.1 On/Off switch motor (25)

Switching on the motor:

- Press the on/off switch and keep pressed.

Switching off the motor:

- Let go of the on/off switch.

6.2 On/off switch cutting line illumination (23)

Switching on/ off the illumination of the cutting line.

CAUTION

Do not direct the light beam into the eyes of people or animals.

NOTICE

Cordless devices: During a short break the cutting line illumination goes off (sleep mode) and is automatically reactivated when resuming work. In case of a long break the cutting line illumination switches off automatically. Reactivation: Use switch (23).

6.3 On/off switch cutting laser (24)

Switching on/off of the cutting laser.

The cutting laser marks a line to the left of the saw's cut. Make a trial cut to become familiar with the positioning.

CAUTION

LASER RADIATION
DO NOT STARE INTO BEAM
Maximum Output <1mW
Wavelength: 650nm
Complies with 21CFR 1040.10e
Laser class II

NOTICE

Cordless devices: During a short break the cutting laser goes off (sleep mode) and is automatically reactivated when resuming work. In case of a long break the cutting laser switches off. Reactivation: Use switch (24).

6.4 Setting the angle of inclination

After loosening the locking lever (11), the saw can be infinitely inclined between 0° and 45° to the left of the vertical position (36).

Press the locking button (10) during the adjustment process in order to also set angles up to 47° to the left of the vertical/ up to 2° to the right of the vertical.

WARNING

In order for the angle of inclination not to change when cutting, the locking lever (11) of the swivel arm has to be tightened.

6.5 Turntable

For mitre cuts the turntable can be turned by 47° to the left or by 47° to the right after loosening the locking handle (3). In this manner the cutting angle to the support edge of the workpiece is adjusted.

WARNING

In order for the mitre angle not to change during cutting, the locking handle (3) of the turntable has to be tightened (also in the stop positions!).

7. Commissioning

7.1 Connect chip sack / chip and dust extraction unit

WARNING

Dust of certain timber species (e.g. beech, oak, ash) can cause cancer when inhaled.

- Only use a suitable dust extraction unit or installed dust sack.
- In addition, use a dust mask, as not all saw dust is collected or extracted.
- Regularly empty the dust sack. Wear a dust mask while emptying the sack.

If you operate the device with the supplied dust sack:

- Attach the dust sack (7) to the chip extraction adapter nozzle (6). Ensure that the closure (8) of the dust sack is closed.

If you connect the device to a dust extraction unit:

- Use a suitable adapter to connect it to the chip extraction adapter nozzle (see chapter 11. "Accessories").
- Ensure that the dust extraction unit meets the requirements stated in chapter 15. "Technical Specifications".
- Observe the dust collector's operating instructions as well!

7.2 Installing the workpiece clamping device

The workpiece clamping device (14) can be installed in two positions:

- For wide workpieces: Insert the workpiece clamping device into the rear drilling (34) of the table.
- For narrow workpieces: Insert the workpiece clamping device into the front drilling (35) of the table.

7.3 For mains powered machines only

DANGER

High voltage

Operate machine only on a power source meeting the following requirements (see also chapter 15. "Technical Specifications"):

- Mains voltage and system frequency must conform to the voltage and frequency shown on the machine's rating label;
- fuse protection by a residual current operated device (RCD) of 30 mA sensitivity;
- outlets properly installed, earthed or grounded, and tested.
- Position power supply cable so it does not interfere with the work and is not damaged.
- Use only rubber-jacketed extension cables with sufficient lead cross-section (3 × 1.5 mm²).
- Use extension cables for outdoor areas. When working outdoors, only use the correspondingly marked extension cable approved for this purpose.
- Avoid accidental start-up. Ensure that the on/off switch is switched off when inserting the plug in the socket.
- Polarized Plugs: To reduce the risk of electric shock, this equipment has a polarized plug (one blade is wider than the other). This plug will fit in a polarized outlet only one way. If the plug does not fit fully in the outlet, reverse the plug. If it still does not fit, contact a qualified electrician to install the proper outlet. Do not change the plug in any way.

7.4 For cordless machines only

- Avoid accidental start-up. Before fitting the battery pack, make sure that the machine is switched off.

Battery pack

Charge the battery pack (27) before use.

If performance diminishes, recharge the battery pack.

The ideal storage temperature is between 10°C and 30°C.

Li-Ion battery packs "Li-Power" have a capacity and signal indicator (28):

- Press the button (29), the LEDs indicate the charge level.
- If one LED is flashing, the battery pack is almost flat and must be recharged.

Removing and inserting the battery pack

Removal: Press the battery pack release button (30) and pull out the battery pack (27) towards the rear.

To insert: Slide the battery pack (27) in until it engages.

8. Operation

- Before starting work, check to see that the following are in proper working order.
- Assume proper operating position:
 - at the front of the saw;
 - in front of the saw;
 - next to the line of cut.

WARNING

If possible, fix the workpiece using the workpiece clamping device (14).

WARNING

Danger of crushing!

When inclining or swivelling the saw head, never reach into the hinge area or below the device!

- Hold the saw head during inclination.
- Use during work:
 - workpiece support – for long workpieces, if otherwise workpiece would fall off the table after cutting;
 - dust sack or dust extraction unit.
- Cut only stock of dimensions that allow for safe and secure holding while cutting.
- Always hold the workpiece down on the table and do not jam it. Do not attempt to stop the saw blade by pushing the workpiece against its side. Risk of personal injury if the saw blade is blocked.

8.1 Straight cuts

Initial position:

- Transport lock (9) pulled out.
- Saw head swivelled upwards.
- Turntable is in 0° position, locking button (3) for turntable is tightened.
- The inclination of the swivel arm to the vertical is 0°, locking lever (11) for inclined position is tightened.

Saw workpiece:

1. Push the workpiece against the parallel guide/ripping fence and clamp using the workpiece clamping device (14).
2. Activate the safety lock (26), press on/off switch (25) and keep pressed.
3. Slowly lower the saw head all the way down at the handle. During the sawing process press on the workpiece just enough for the motor speed not to lower too much.
4. Cut the workpiece in one operation.
5. Release the on/off switch (25) and slowly let the saw head swivel back into the upper starting position.

8.2 Mitre cuts

Starting position:

- Transport lock (9) pulled out.
- Saw head swivelled upwards.

- Inclination of the swivel arm to the vertical is 0°, locking lever (11) for inclination setting is tightened.

Cutting the workpiece:

1. Unscrew the locking button (3) of the turntable.
2. Set the desired angle.
3. Tighten the locking button (3) of the turntable.
4. Cut workpiece, as described for "Straight cuts".

8.3 Inclined cuts

Starting position:

- Transport lock (9) pulled out.
- Saw head swivelled upwards.
- Turntable is in 0° position, locking button (3) for turntable is tightened.

Cutting the workpiece:

1. Loosen the locking lever (11) for the inclination setting at the rear side of the saw.
2. Slowly tilt the swivel arm into the desired position.
3. Tighten the locking lever (11) for the inclination setting.
4. Cut the workpiece, as described for "Straight cuts".

8.4 Double mitre cuts

NOTICE

The double mitre cut is a combination of mitre cut and inclined cut. This means, the workpiece is cut at an angle to the rear contact edge and at an angle to the top.

! WARNING

With a double mitre cut, the saw blade is easier accessible due to the steep inclination – this results in a higher risk of injury. Always keep sufficient distance to the saw blade!

Starting position:

- Transport lock (9) pulled out.
- Saw head swivelled upwards.
- Lock the turn table in the desired position.
- Swivel arm inclined at desired angle to the workpiece surface and locked.

Cutting the workpiece:

- Cut the workpiece, as described in "Straight cuts".

9. Care and maintenance

! DANGER

Prior to all maintenance and cleaning jobs pull the mains plug or remove the detachable battery pack (27).

- Repair and maintenance work other than described in this section should only be carried out by qualified specialists.
- Replace damaged parts, in particular safety installations, only with original parts. Parts not approved by the equipment manufacturer can cause unforeseeable damage.
- Check that all safety devices are operational again after each service.

9.1 Saw blade change

! WARNING

Risk of burning!

Directly after cutting the saw blade can be very hot. Let a hot saw blade cool down. Do not clean the hot saw blade with combustible liquids.

! WARNING

Risk of injury, even with the blade at standstill!

When loosening and tightening the tensioning screw (41) the retractable blade guard (18) has to be swivelled over the saw blade. Wear gloves when changing blades.

1. Pull the mains plug or remove the detachable battery pack (27).
2. Put the saw head in the upper position.
3. Loosen the left screw of the tensioning-screw-cover (40). Swivel the tensioning-screw-cover (40) upwards and unhook, then swivel downwards.
4. Lock saw blade: press the locking button (5) and turn the saw blade with the other hand until the locking button engages. Hold down the locking button.
5. Remove the tensioning screw with washer (41) on the saw blade shaft with Allen key (13) in clockwise direction (left-hand thread!).
6. Loosen safety lock (26) (only for mains-powered devices) and push retractable blade guard (18) upwards and hold.
7. Carefully remove outer flange (42) and saw blade (43) from the saw blade shaft and close again the retractable blade guard.

! WARNING

Do not use cleaning agents (e.g. to remove resin residue) that could corrode the light metal components of the saw; the stability of the saw would be adversely affected.

8. Cleaning the clamping surfaces:

- Saw blade shaft (46),
- saw blade (43),
- outer flange (42),
- inner flange (45).

! WARNING

Place inner flange properly! If this is not the case, the saw can block or the saw blade could work loose. The inner flange is in the correct position if the ring groove points towards the saw blade and the flat side to the motor.

9. Put on inner flange (45).
10. Loosen safety lock (26) (only for mains-powered devices) and push the retractable blade guard (18) upwards and hold.
11. Place a new saw blade - pay attention to direction of rotation: Seen from the left (open) side, the arrow on the saw blade has to correspond to the direction of the arrow (44) on the saw blade cover!

! WARNING

Use only saw blades, which fulfil the requirements and specifications listed in these operating instructions.

Use only saw blades designed for the maximum speed (see "Technical Specifications") – if unsuitable or damaged saw blades parts are used, parts can be ejected due to centrifugal force in an explosive-type manner.

Do not use:

- saw blades made of high-alloy speed steel (HSS);
- damaged saw blades;
- cut-off wheel blades.

! WARNING

- Mount saw blade using only genuine parts.
- Do not use loose-fitting reducing rings; the saw blade could work loose.
- Saw blades have to be mounted in such way that they do not wobble or run out of balance and cannot work loose during operation.
- 12. Close again retractable blade guard (18).
- 13. Slide on outer flange (42) – The flat side has to point towards the motor!
- 14. Put on the tensioning screw with the washer (41) in anti-clockwise direction (left-hand thread) and tighten by hand.
- 15. Lock saw blade: press the locking button (5) and turn the saw blade with the other hand until the locking button engages. Hold down the locking button.

! WARNING

- Do not extend the hexagon wrench.
- Do not tighten the tensioning screw by hitting the hexagon wrench.
- 16. Firmly tighten the tensioning screw (41) using the hexagon wrench (13).
- 17. Swivel the tensioning-screw-cover (40) upwards and fix again with the left screw.
- 18. Check function. Loosen the safety lock (26) (only for mains-powered devices) and fold the saw downwards:
 - when folding down the retractable blade guard, it has to provide free access to the saw blade without touching other parts.
 - When folding the saw upwards into the starting position, the retractable blade guard has to cover the saw blade automatically.
 - Rotate the saw blade manually. You should be able to rotate the saw blade into any possible position without touching other parts.

9.2 Table insert change

! WARNING

With a damaged table insert (4) there is a risk of small parts getting stuck between table insert and saw blade, blocking the saw blade. Replace damaged table inserts immediately!

1. Remove screws at table insert. If required, rotate turntable and incline saw head to be able to reach the screws.
2. Remove table insert.
3. Insert new table insert.
4. Tighten the screws at the table insert.

9.3 Adjust parallel guide/ripping fence

1. Loosen Allen screws (47).
2. Adjust the parallel guide/ripping fence (19) in such a way that it is exactly perpendicular to the saw blade when the turntable engages in the 0° position.
3. Tighten the Allen screws (47).

9.4 Adjust the cutting laser

Align the laser perpendicularly

- Loosen the middle screw (37). Rotate laser. Tighten the middle screw (37).

Align laser laterally

- Loosen the right (39) and the left screw (38). Shift the laser horizontally. Tighten the right (39) and left screw (38).

9.5 Cleaning the tool

Remove chips and saw dust with vacuum cleaner or brush from:

- adjustment installations
- controls;
- motor vent slots;
- space under table insert;
- cutting laser;
- illumination of cutting line

9.6 Storage of device

! WARNING

- Store the device in such a way that it cannot be put into operation by unauthorised personnel.
- The hole in the switch should be used to secure the machine with a padlock from being switched on by unauthorised persons.
- Ensure that the stationary device cannot cause injury.

! CAUTION

- Do not store the tool outdoors or in damp conditions without protection.

9.7 Maintenance

Prior to each use

- Remove saw chips with vacuum or brush.

- Check power cable and power cable plug or battery pack for damage; if necessary have damaged parts replaced by a qualified electrician.
- Check all movable parts if they can be moved freely across the entire range of movement.

Regularly, depending on conditions of use

- Check all screwed joints, retighten if necessary.
- Check reset function of the saw head (saw head has to return to the upper starting position by means of spring force), if required have spring replaced.
- Slightly oil guide elements.

10. Tips and Tricks

- Use appropriate supports on the left and right of the saw for long workpieces.
- Hold workpiece on the right of the saw blade for suitable cuts.
- When cutting small pieces, use additional guide (a suitable wooden board attached with screws to the guide of the device, can be used as additional guide).
- When cutting a curved (contorted) board (48) place the convex side at the parallel guide/ripping fence.
- Do not cut workpiece upright, but flat on the turntable.

11. Accessories

Use only genuine Metabo accessories.

Use only accessories which fulfil the requirements and specifications listed in these operating instructions.

A Spray for maintenance and care for the removal of resin residues and to preserve the metal surfaces. 0911018691

B Extraction adapter "Multi" for the connection of extraction hoses with 44, 58 or 100 mm adapter 0910058010

C Metabo all-purpose vacuum cleaner (see catalogue)

D Stands:
 Universal machine stand UMS 6.3131700
 Mobile stand KSU 250 Mobile 6.3131800
 Stand KSU 400 0910066110

E Roller stand:
 RS 420 0910053353
 RS 420 G 0910053345
 RS 420 W 0910053361

For a complete range of accessories, see www.metabo.com or the catalogue.

12. Repairs



Repair of power tools must be carried out by qualified electricians only!

When servicing use only identical replacement parts.

If you have Metabo power tools that require repairs, please contact your Metabo service centre. For addresses see www.metabo.com.

You can download a list of spare parts from www.metabo.com.

13. Environmental Protection

Observe national regulations on environmentally compatible disposal and on the recycling of disused machines, packaging and accessories.

14. Troubleshooting

Following you will find a description of problems and faults that you may remedy yourself. If the corrective measures described here do not help, kindly refer to chapter 12. "Repairs".



There are particularly many accidents in connection with problems and faults. Therefore keep in mind:

- Prior to each correction of faults, pull the mains plug or remove the detachable battery pack (27).
- Check that all safety devices are operational again after each fault service.

No trimming function

Transport lock activated:

- pull out transport lock.

Safety lock activated:

- loosen safety lock.

Cutting power too low

Saw blade blunt (possibly tempering marks on blade body);

Saw blade unsuitable for the material (see chapter 11. "Accessories");

Saw blade contorted:

- Replace saw blade (see chapter 9. "Maintenance").

Saw vibrates a lot

Saw blade contorted:

- Replace saw blade (see chapter 9. "Maintenance").

Saw blade not installed properly:

- Install saw blade properly (see chapter 9. "Maintenance").

Turntable hard to turn

Chips under turntable:

- remove chips.

15. Technical Specifications

Explanatory notes on the specifications on page 3.

Changes due to technological progress reserved.

- U = mains voltage / voltage of battery pack
- I = rated power
- F = min. fuse protection
- P₁ = rated input power
- IP = protection class
- n₀ = no-load speed
- v₀ = max. cutting speed
- D = saw blade diameter (outer)
- d = saw blade hole (inside)
- b = max. tooth width of the saw blade
- A = dimensions (lxwxh)
- m = weight

Requirements for chip and dust extraction unit:

- D₁ = connection diameter of the extraction nozzle
- D₂ = minimum air throughput
- D₃ = minimum negative pressure at extraction nozzle
- D₄ = minimum air speed at extraction nozzle

Maximum cross-section of workpiece, see table on page 4.

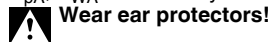
The technical specifications quoted are subject to tolerances (in compliance with the relevant valid standards).

Emission values

These values make it possible to assess the emissions from the power tool and to compare different power tools. Depending on the operating conditions, the condition of the power tool or the accessories, the actual load may be higher or lower. For assessment purposes, please allow for breaks and periods when the load is lower. Based on the adjusted estimates, arrange protective measures for the user e.g. organisational measures.

Typical A-effective perceived sound levels:

- L_{pA} = sound-pressure level
- L_{WA} = acoustic power level
- K_{pA}, K_{WA} = uncertainty



Mode d'emploi

Sommaire

1. Déclaration de conformité
2. Utilisation conforme
3. Consignes générales de sécurité
4. Consignes de sécurité particulières
5. Vue d'ensemble
6. Installation et transport
7. Vue détaillée de l'appareil
8. Mise en service
9. Utilisation
10. Maintenance et entretien
11. Trucs et astuces
12. Accessoires
13. Réparations
14. Protection de l'environnement
15. Problèmes et pannes
16. Caractéristiques techniques

1. Utilisation conforme

La scie à onglet convient pour les coupes longitudinales et transversales, les coupes en biais, les coupes en onglet ainsi que pour les doubles coupes en onglet.

Seuls les matériaux convenant à la lame de scie peuvent être travaillés (pour connaître les lames de scie autorisées, voir le chapitre 11. Accessoires).

Les dimensions admises des pièces à usiner doivent être respectées (cf. chapitre 15. Caractéristiques techniques).

Les pièces à usiner avec une section ronde ou irrégulière (comme par ex. le bois de chauffage) ne peuvent pas être sciées car elles ne peuvent pas être maintenues de manière sûre durant le sciage. En cas de sciage sur chant de pièces plates, utilisez une butée appropriée afin d'assurer un guidage parfaitement sûr.

Toute autre utilisation est considérée comme contraire aux prescriptions. Une utilisation contraire aux prescriptions, des modifications apportées à l'appareil ou l'emploi de pièces qui n'ont été ni contrôlées ni approuvées par le constructeur peuvent entraîner des dommages imprévisibles !

2. Consignes générales de sécurité



Pour des raisons de sécurité et afin de protéger l'outil électrique, respecter les passages de texte marqués de ce symbole !

AVERTISSEMENT



Lire la notice d'utilisation afin d'éviter tout risque de blessure.

Remettre l'outil électrique uniquement accompagné de ces documents.

Consignes de sécurité générales pour les outils électriques

AVERTISSEMENT



Veillez lire l'ensemble des consignes de sécurité et instructions. Le non-respect des consignes de sécurité et des instructions peut être à l'origine d'un choc électrique, d'un incendie et/ou de blessures graves.

Conserver toutes les consignes de sécurité et instructions ! Le terme « outil » utilisé dans les consignes de sécurité fait référence aux outils électriques filaires (avec cordon d'alimentation) ou aux outils électriques sans fil (sans cordon d'alimentation).

1. LAISSEZ LES PROTECTIONS EN PLACE et en état de marche.

2. **RETIREZ LES CLÉS DE RÉGLAGE ET LES CLÉS À MOLETTE.** Prenez l'habitude de vérifier que les

clés et les clés de réglage sont retirées de l'outil avant de le mettre en marche.

3. **CONSERVEZ LA SURFACE DE TRAVAIL PROPRE.** Les endroits encombrés et les bancs sont propices aux accidents.

4. **N'UTILISEZ PAS CES OUTILS DANS UN ENVIRONNEMENT DANGEREUX.** N'utilisez pas des outils électriques dans des endroits mouillés ou humides, ou ne les mettez pas sous la pluie. Gardez la zone de travail bien éclairée.

5. **GARDEZ LES ENFANTS À L'ÉCART.** Tous les visiteurs doivent se tenir à une distance sécurisée de la zone de travail.

6. **CONCEVEZ L'ATELIER À L'ÉPREUVE DES ENFANTS** avec des cadenas, des interrupteurs principaux ou en retirant les clés de démarrage.

7. **NE FORCEZ PAS L'OUTIL.** Il fonctionnera mieux et de façon plus sécurisée à la vitesse pour laquelle il a été conçu.

8. **UTILISEZ L'OUTIL ADÉQUAT.** Ne forcez pas l'outil ou l'accessoire pour effectuer un travail pour lequel il n'a pas été conçu.

9. **UTILISEZ LA RALLONGE ADÉQUATE.** Assurez-vous que la rallonge est en bon état. Lorsque vous utilisez une rallonge, assurez-vous qu'elle soit suffisamment calibrée pour transporter le courant tiré par votre produit. Un cordon d'une taille inférieure provoquera une baisse de tension de la ligne, engendrant alors une perte de puissance et une surchauffe. Le tableau (A) (voir tableau à la page 4) indique la taille correcte à utiliser en fonction de la longueur du cordon et de l'ampérage indiqué sur la plaque. En cas de doute, utilisez un cordon d'un calibre plus élevé. Plus le cordon est petit, plus le cordon est épais.

10. **PORTEZ DES VÊTEMENTS ADÉQUATS.** Ne portez pas de vêtements amples, de gants, une cravate, de bagues, de bracelets ou tout autre bijou pouvant se retrouver coincés dans des pièces mobiles. Il est recommandé de porter des chaussures antidérapantes. Portez un couvre-chef pour contenir les cheveux longs.

11. **UTILISEZ TOUJOURS DES LUNETTES DE SÉCURITÉ.** Utilisez également un masque facial ou anti-poussière si une opération de coupe produit de la poussière. Les lunettes habituelles sont seulement dotées de lentilles résistantes aux chocs, elles ne sont PAS des lunettes de sécurité.

12. **SÉCURISEZ LE TRAVAIL.** Utilisez des pinces ou un étau pour maintenir l'ouvrage, lorsque cela est possible. Cela est plus sûr que de vous servir de vos mains et ainsi, vous pouvez utiliser vos mains pour faire fonctionner l'outil.

13. **NE VOUS PENCHEZ PAS.** Gardez une position stable et un bon équilibre à tout moment.

14. **ENTRETIENEZ BIEN L'OUTIL.** Gardez les outils aiguisés et nettoyez-les pour un rendement optimal et sécuritaire. Suivez les instructions pour lubrifier et changer des accessoires.

15. **DÉCONNECTEZ LES OUTILS** avant leur révision et lors du changement des accessoires, comme les lames, les mèches, les cutters et tout accessoire similaire.

16. **RÉDUISEZ LE RISQUE DE DÉMARRAGE INOPINÉ.** Assurez-vous que l'interrupteur est à l'arrêt avant de le brancher.

17. **UTILISEZ DES ACCESSOIRES RECOMMANDÉS.** Consultez le manuel du propriétaire pour consulter les accessoires recommandés. L'utilisation d'accessoires inappropriés peut causer des blessures corporelles.

18. **NE VOUS TENEZ JAMAIS SUR L'OUTIL.** De graves blessures peuvent survenir si l'outil est renversé ou si l'outil est heurté par inadvertance.

19. **VÉRIFIEZ LES PIÈCES ENDOMMAGÉES.** Avant de réutiliser l'outil, une protection ou une autre pièce endommagée, il convient de les vérifier avec attention pour s'assurer qu'il fonctionnera correctement et remplira sa fonction. Vérifiez qu'aucune pièce mobile n'est mal alignée, grippée ou brisée et assurez-vous qu'aucun autre problème ne risque d'affecter son bon fonctionnement. Toute protection ou pièce endommagée doit être correctement réparée ou remplacée.

20. **SENS DE PERFORATION** Le matériau à couper ne doit être engagé que contre le sens de rotation de la lame.

21. **NE LAISSEZ JAMAIS UN APPAREIL FONCTIONNER SANS SURVEILLANCE. METTEZ L'APPAREIL HORS TENSION.** Ne laissez pas l'outil sans surveillance tant qu'il n'est pas totalement arrêté.

2.1 Sécurité de la zone de travail

a) **Veillez à ce que la zone de travail soit propre et bien éclairée.** Les zones en désordre ou sombres sont propices aux accidents.

b) **Ne pas faire fonctionner l'outil électrique dans une atmosphère explosive, par exemple en présence de liquides, de gaz ou de poussières inflammables.** Les outils électriques produisent des étincelles qui peuvent enflammer les poussières ou les vapeurs.

c) **Maintenez les enfants et les personnes présentes à l'écart pendant l'utilisation de l'outil électrique.** Les distractions peuvent vous faire perdre le contrôle de l'outil.

2.2 Sécurité électrique

a) **La fiche d'alimentation de l'outil électrique doit être adaptée à la prise. Ne jamais modifier la fiche de quelque façon que ce soit. Ne pas utiliser d'adaptateurs avec des outils électriques à branchement de terre.** Des fiches non modifiées et des prises adaptées réduisent le risque de choc électrique.

b) **Évitez tout contact du corps avec des surfaces mises à la terre telles que les tuyaux, les radiateurs, les cuisinières et les réfrigérateurs.** Il existe un risque accru de choc électrique si votre corps est relié à la terre.

c) **Ne pas exposer les outils électriques à la pluie ou à des conditions humides.** La pénétration d'eau à l'intérieur d'un outil électrique augmente le risque de choc électrique.

d) **Ne pas utiliser le cordon d'alimentation à d'autres fins que celles prévues, notamment pour porter ou suspendre l'outil électrique ou pour retirer la fiche de la prise. Maintenez le cordon à l'écart de la chaleur, de l'huile, des arêtes coupantes ou des pièces de l'appareil en mouvement.** Les cordons d'alimentation endommagés ou emmêlés augmentent le risque de choc électrique.

e) **Lorsque vous travaillez à l'extérieur avec un outil électrique, utilisez uniquement des rallonges adaptées pour une utilisation à l'extérieur.** L'utilisation d'une rallonge adaptée pour une utilisation à l'extérieur réduit le risque de choc électrique.

f) **Si l'usage d'un outil électrique dans un environnement humide est inévitable, utilisez un interrupteur de protection contre les courants de court-circuit.** L'usage d'un interrupteur de protection contre les courants de court-circuit réduit le risque de choc électrique.

2.3 Sécurité des personnes

a) **Restez vigilant, soyez attentif à ce que vous êtes en train de faire et faites preuve de bon sens dans votre utilisation de l'outil électrique.** N'utilisez pas d'outil électrique lorsque vous êtes fatigué ou sous l'emprise de drogues, d'alcool ou de médicaments. Un moment d'inattention lors de l'utilisation d'un outil électrique peut entraîner des blessures graves.

b) **Portez un équipement de protection individuelle et toujours des lunettes de protection.** Le port d'un équipement de protection individuelle comme un masque contre les poussières, des chaussures de sécurité antidérapantes, un casque ou des protège-oreilles réduit le risque de blessures.

c) **Évitez tout démarrage intempestif. Assurez-vous que l'outil électrique est éteint avant de le brancher au secteur et/ou à la batterie, de le prendre en main ou de le porter.** Porter l'outil électrique en ayant le doigt sur l'interrupteur ou brancher l'appareil au secteur alors qu'il est en marche peut causer des accidents.

d) **Retirez les outils de réglage ou les clés plates avant de mettre l'outil électrique en marche.** Un outil ou une clé qui se trouve dans une partie qui tourne de l'appareil peut entraîner des blessures.

e) **Évitez toute posture anormale du corps. Veillez à adopter une position stable et gardez toujours l'équilibre.** Cela permet de mieux contrôler l'outil électrique dans des situations inattendues.

f) **Portez des vêtements adaptés. Ne portez pas de vêtements amples ni de bijoux. Gardez les cheveux et les vêtements éloignés des pièces en mouvement.** Des vêtements amples, des bijoux ou les cheveux longs peuvent être pris dans des parties en mouvement.

g) **Si des dispositifs d'aspiration ou de collecte des poussières peuvent être installés, assurez-vous qu'ils sont branchés et correctement utilisés.** Utiliser un système d'aspiration des poussières réduit les risques liés à la présence de poussières.

h) **Ne vous sentez pas trop sûr de vous et ne pensez pas être au-dessus des règles de sécurité pour les outils électriques, même si après de nombreuses utilisations, vous connaissez bien votre outil électrique.** Quelques secondes d'inattention peuvent suffire pour causer des blessures graves.

2.4 Utilisation et manipulation de l'outil électrique

a) **Ne surchargez pas l'appareil. Utilisez l'outil électrique adapté à votre application.** Avec un outil électrique adapté, vous travaillerez plus efficacement et de manière plus sûre dans la plage de puissance indiquée.

b) **N'utilisez pas d'outils électriques dont l'interrupteur est défectueux.** Un outil électrique qui ne peut plus être mis en marche ou arrêté est dangereux et doit être réparé.

c) **Débranchez la fiche de la prise et/ou retirez la batterie amovible avant de régler l'appareil, de changer des accessoires ou de ranger l'outil.** Ces mesures de sécurité préventives empêchent une mise en marche accidentelle de l'outil électrique.

d) **Conservez les outils électriques non utilisés hors de portée des enfants. Ne laissez pas des personnes qui ne sont pas familiarisées avec l'appareil ou qui n'ont pas lu les instructions utiliser l'appareil.** Les outils électriques sont dangereux s'ils sont utilisés par des personnes inexpérimentées.

e) **Entretenez soigneusement les outils électriques et les accessoires. Vérifiez si les pièces mobiles fonctionnent correctement et ne bloquent pas, si des pièces sont cassées ou si des dommages empêchent le bon fonctionnement de l'outil électrique. Faites réparer les pièces endommagées avant d'utiliser l'appareil.** De nombreux accidents sont dus à des outils électriques mal entretenus.

f) **Gardez les outils de coupe affûtés et propres.** Des outils de coupe correctement entretenus avec des arêtes coupantes sont moins susceptibles de se bloquer et sont plus faciles à contrôler.

g) **Utilisez l'outil électrique, les accessoires, etc. conformément aux présentes instructions. Tenez également compte des conditions de travail et du travail à réaliser.** L'utilisation d'outils électriques pour d'autres applications que celles prévues peut donner lieu à des situations dangereuses.

h) **Gardez les poignées et les zones de préhension sèches, propres et exemptes d'huile et de graisse.** Les poignées et les zones de préhension glissantes ne permettent pas une utilisation sûre et le contrôle de l'outil électrique dans des situations inattendues.

2.5 Utilisation et entretien de la batterie

a) **Assurez-vous que l'interrupteur est en position arrêt avant d'insérer le bloc de batterie.** Insérer le bloc de batterie dans des outils électriques dont l'interrupteur est en marche est propice aux accidents.

b) **Rechargez uniquement avec le chargeur spécifié par le fabricant.** Un chargeur approprié pour un type de batterie peut créer un risque d'incendie s'il est utilisé avec un autre type de batterie.

c) **Utilisez des outils électriques uniquement avec des blocs de batterie spécifiquement indiqués.** L'utilisation d'autres blocs de batterie

peut occasionner un risque de blessures et d'incendie.

d) **Lorsque la batterie n'est pas utilisée, maintenez-la à distance des autres objets métalliques comme les trombones, les pièces, les clés, les clous, les vis ou tout autre objet métallique qui établira une connexion d'un terminal à un autre.** Court-circuiter les bornes des batteries peut causer des brûlures ou un incendie.

e) **Dans des conditions extrêmes, du liquide peut être éjecté de la batterie ; évitez tout contact avec ce dernier. En cas de contact accidentel, rincez avec de l'eau.** En cas de contact oculaire, demandez en plus l'avis d'un médecin. Du liquide éjecté de la batterie peut causer des irritations ou des brûlures.

f) **Débranchez le bloc de batterie de l'outil ou mettez l'interrupteur en position verrouillée ou à l'arrêt avant de réaliser des ajustements, de changer d'accessoires ou de ranger l'outil.** De telles mesures de sécurité préventives réduisent le risque de mettre en marche l'outil accidentellement.

g) **N'utilisez pas de batteries endommagées ou modifiées.** Les batteries endommagées ou modifiées peuvent réagir de manière imprévisible et entraîner un incendie, une explosion ou un risque de blessure.

h) **N'exposez jamais une batterie au feu ou à des températures élevées.** Le feu et des températures supérieures à 265 °F (130 °C) peuvent causer une explosion.

i) **Respectez toutes les consignes de chargement et ne rechargez jamais la batterie ou l'outil électrique sans fil en dehors de la plage de température indiquées dans le mode d'emploi.** Un chargement erroné ou en dehors de la plage de températures admises peut détruire la batterie et augmenter le risque d'incendie.

2.6 Réparations

a) **Faites réparer l'outil électrique par un réparateur qualifié en utilisant des pièces de rechange identiques uniquement.** Cela permettra de garantir la sécurité de l'outil électrique.

b) **N'effectuez jamais la maintenance d'une batterie endommagée.** La maintenance des batteries doit être confiée au fabricant ou à un service après-vente agréé.

2.7 Autres consignes de sécurité

– La présente notice d'utilisation s'adresse à des personnes ayant des connaissances techniques de base dans le maniement d'appareils du même type que celui-ci. Si vous n'avez pas d'expérience avec ce genre d'appareils, il est recommandé de demander l'aide de personnes expérimentées.

– Le fabricant décline toute responsabilité pour des dommages consécutifs au non-respect des présentes instructions d'utilisation.

3. Consignes de sécurité particulières

a) **Les scies à onglet sont conçues pour la découpe du bois ou de produits ligniformes. Elles ne doivent pas être utilisées pour la découpe de matériaux à base de fer comme des tiges, des barres, des vis, etc.** La poussière abrasive entraînerait le blocage des pièces mobiles comme le capot de protection inférieur. Les étincelles produites durant la découpe brûleraient le capot de protection inférieur, la plaque d'insert et d'autres pièces en plastique.

b) **Si possible, fixez la pièce à usiner à l'aide de serre-joints. Si vous maintenez la pièce à usiner manuellement, vous devez toujours maintenir la main à une distance d'au moins 4 in (100 mm) de chaque côté de la lame de scie. N'utilisez pas cette scie pour découper des pièces trop petites pour être fixées ou maintenues manuellement.** Si votre main est trop proche de la lame de scie, vous augmentez le risque de blessure par contact avec la lame de scie.

c) **La pièce à usiner doit être immobile et serrée ou maintenue contre la butée et la table. Ne poussez pas la pièce à usiner vers**

la lame de scie et ne coupez jamais « à main levée ». Les pièces non fixées ou mobiles risquent d'être projetées à grande vitesse ce qui peut causer des blessures.

d) **Ne croisez jamais les mains au-dessus de la ligne de coupe prévue, ni devant ou derrière la lame de scie.** Il est très dangereux de soutenir la pièce avec les « mains croisées », c'est-à-dire en tenant la pièce à usiner avec la main gauche à droite de la lame de scie ou inversement.

e) **Ne placez pas vos mains derrière la butée lorsque la lame de scie tourne. Respectez toujours la distance de sécurité minimale de 4 in (100 mm) entre la main et la lame de scie en rotation (valable pour les deux côtés de la lame de scie, par ex. pour éliminer les déchets de bois).** Dans le cas contraire, vous risqueriez de sous-estimer la faible distance entre la lame et votre main et de vous blesser grièvement.

f) **Contrôlez la pièce à usiner avant de la couper. Si la pièce à usiner est tordue ou déformée, fixez-la avec le côté courbé vers l'extérieur du côté de la butée. Veillez toujours à ce qu'il n'y ait pas d'espace entre la pièce à usiner, la butée et la table le long de la ligne de coupe.** Les pièces courbées ou déformées peuvent se tordre ou se déplacer et entraîner le blocage de la lame de scie lors du sciage. La pièce à usiner doit être exempte de clous et de corps étrangers.

g) **Utilisez seulement la scie lorsque la table a été débarrassée de tous les outils, déchets de bois, etc. ; seule la pièce à usiner peut se trouver sur la table.** Les petits déchets, les pièces de bois détachées ou d'autres objets qui entreraient en contact avec la lame en rotation risquent d'être projetés à grande vitesse.

h) **Découpez une seule pièce à la fois.** Les pièces empilées ne peuvent pas être fixées ou maintenues correctement et peuvent entraîner le blocage de la lame durant le sciage ou glisser.

i) **Veillez à ce que la scie à onglet soit posée sur une surface de travail plane et solide avant l'utilisation.** Une surface de travail plane et solide réduit le risque d'instabilité de la scie à onglet.

j) **Planifiez votre travail. Lors de chaque réglage de l'inclinaison de la lame ou de l'angle de coupe, veillez à ce que la butée réglable soit correctement ajustée et à ce que la pièce soit soutenue sans entrer en contact avec la lame ou le capot de protection.** Simulez le mouvement de coupe complet de la lame sans mettre la machine en marche et sans placer la pièce à usiner sur la table afin de vous assurer qu'elle ne soit pas entravée et qu'elle ne coupe pas dans la butée.

k) **Veillez à ce que les pièces plus larges ou plus longues que la surface supérieure de la table soient correctement soutenues, par ex. à l'aide d'une rallonge de table ou de chevalets de sciage.** Les pièces plus larges ou plus longues que la table de la scie à onglet risquent de basculer si elles ne sont pas correctement soutenues. Si une pièce de bois coupée ou la pièce à usiner bascule, elle risque de soulever le capot de protection inférieur ou d'être projetée de manière incontrôlée par la lame de scie en rotation.

l) **Ne demandez pas à d'autres personnes de tenir la pièce à la place d'une rallonge de table ou de soutenir la pièce.** Un mauvais soutien de la pièce à usiner peut entraîner le blocage de la lame de scie. La pièce à usiner risque également de se déplacer durant le sciage et de vous entraîner vous et la personne qui vous aide vers la lame de scie en rotation.

m) **La pièce découpée ne doit en aucun cas être pressée contre la lame de scie en rotation.** S'il n'y a pas suffisamment de place, par ex. pour l'utilisation de guides latéraux, la pièce découpée risque de se coincer dans la lame de scie et d'être projetée de force.

n) **Utilisez toujours un serre-joints ou un dispositif adapté pour soutenir correctement les matériaux rond comme des barres ou des tuyaux.** Les barres ont tendance à rouler lors de la découpe, ce qui peut entraîner le blocage de la lame et entraîner la pièce à usiner et votre main vers la lame de scie.

o) **Attendez que la lame ait atteint sa vitesse de rotation maximale avant de couper la**

pièce à usiner. Cela réduit le risque d'éjection de la pièce à usiner.

p) **Si la pièce à usiner coince ou bloque la lame de scie, arrêtez la scie à onglet. Attendez que toutes les pièces mobiles soient totalement arrêtées, retirez la fiche de la prise et/ou retirez la batterie. Retirez ensuite le matériau bloqué.** Si vous continuez de scier malgré le blocage, vous risquez de perdre le contrôle de la machine ou d'endommager la scie à onglet.

q) **Une fois la découpe terminée, lâchez l'interrupteur, maintenez la tête de scie vers le bas et attendez l'arrêt de la lame avant de retirer la pièce découpée.** Il est dangereux d'approcher la main de la lame encore en rotation.

3.1 Autres consignes de sécurité

- Respectez les instructions de sécurité spécifiques à chaque chapitre.
- Respectez les éventuelles dispositions légales ou directives de prévention des accidents.



Dangers généraux !

- Tenez compte des influences environnementales.
- Pour les pièces longues, utilisez des porte-pièces adaptés.
- Cette machine peut uniquement être mise en service et utilisée par des personnes habituées à manipuler des scies circulaires et conscientes des dangers liés à l'utilisation de ce type d'appareil. Les mineurs sont uniquement autorisés à se servir de l'appareil dans le cadre d'une formation professionnelle et sous le contrôle d'un instructeur.
- Les personnes non concernées par les opérations, notamment les enfants, doivent être tenues à distance de la zone de danger. Ne laissez aucune autre personne toucher l'appareil ou le câble d'alimentation lorsque l'appareil est en marche.
- Évitez une surchauffe des dents de scie.
- Lors du sciage du plastique, évitez que le plastique ne fonde.



Risque de blessures ou d'écrasement au niveau des pièces mobiles !

- Ne mettez pas l'appareil en marche si les dispositifs de sécurité ne sont pas installés.
- Gardez toujours une distance suffisante par rapport à la lame de scie. Utilisez éventuellement des dispositifs de guidage appropriés. Pendant le fonctionnement de l'appareil, maintenez une distance suffisante avec les composants en mouvement.
- Attendez que la lame de scie soit immobile avant de retirer de la zone de travail les petites chutes de découpes de pièces, les restes de bois etc.
- Ne sciez que des pièces ayant des dimensions qui permettent de les maintenir de façon sûre pendant la coupe.
- Utilisez des dispositifs de serrage ou un étai pour fixer la pièce. Elle est ainsi mieux maintenue qu'avec la main.
- Ne freinez pas la lame de scie en exerçant une pression latérale.
- Avant d'effectuer des travaux de réglage, d'entretien ou de remise en état, débrancher la fiche secteur de la prise de courant ou retirer la batterie.
- Débrancher la fiche secteur de la prise de courant ou retirer la batterie lorsque l'appareil n'est pas utilisé.



Risque de coupure également lorsque les outils de coupe sont immobiles !

- Portez des gants pour remplacer les outils de coupe.
- Conservez les lames de scie de manière à ce que personne ne risque de s'y blesser.



Risque de choc en arrière de la tête de sciage (la lame de scie se coince dans la pièce à usiner et la tête de sciage bascule soudainement vers le haut) !

- Choisissez une lame de scie adaptée au matériau à découper.
- Tenez fermement la poignée. Au moment où la lame de scie pénètre dans la pièce à usiner, le risque de choc en arrière est particulièrement élevé.
- N'employez que des lames de scie à dents fines pour scier des pièces minces ou des pièces aux parois minces.
- Utilisez toujours des lames de scies affûtées. Remplacez immédiatement les lames de scie émoussées. Risque accru de choc en arrière lorsqu'une dent émoussée de la lame de scie se coince dans la surface de la pièce à usiner.
- Ne coincez pas les pièces.
- En cas de doute, vérifiez que les pièces à usiner ne contiennent pas de corps étrangers (p. ex. des clous ou des vis).
- Ne sciez en aucun cas plusieurs pièces simultanément – même en paquets constitués de plusieurs pièces individuelles. Risque d'accident si certaines pièces sont saisies de manière incontrôlée par la lame de scie.



Risque de happement !

- Veillez à ce qu'aucune partie du corps ou aucun vêtement ne puisse être happés en cours de travail ((pas de cravates, pas de gants, pas de vêtements à manches larges ; les personnes qui portent les cheveux longs doivent impérativement porter un filet à cheveux).
- Ne jamais scier des pièces comportant des cordes, des ficelles, des bandes, des câbles, des fils ou tout autre matériel du même type.



Risque lié à un équipement de protection individuelle insuffisant !

- Portez des protège-oreilles.
- Porter des lunettes de protection.
- Portez un masque antipoussières.
- Portez des vêtements de travail adaptés.
- Portez des chaussures antidérapantes.
- Portez des gants lorsque vous manipulez des lames de scie et des outils raboteux. Portez les lames de scie dans un récipient.



Risque lié aux sciures de bois !

- Ne travaillez qu'avec un dispositif d'aspiration. Le dispositif d'aspiration doit être conforme aux valeurs indiquées dans le chapitre 15..

Avertissements additionnels :

AVERTISSEMENT Certaines poussières produites par le ponçage électrique, le sciage, le meulage, le perçage et d'autres activités de construction contiennent des agents chimiques qui causent des cancers, des anomalies congénitales ou d'autres dangers pour la reproduction. Voici quelques exemples de tels agents chimiques :

- Le plomb des peintures à base de plomb,
- La silice cristalline des briques, du ciment et d'autres produits de maçonnerie, et
- L'arsenic et le chrome du bois d'œuvre traité chimiquement.

Les conséquences de telles expositions varient en fonction de la fréquence à laquelle vous faites ce type de travail. Pour réduire votre exposition à ces agents chimiques, travaillez dans un endroit bien ventilé et utilisez des équipements de protection agréés, tels que les masques de protection contre la poussière qui sont conçus spécialement pour filtrer les particules microscopiques.



Danger en cas de modifications apportées à l'appareil ou d'utilisation de

pièces qui n'ont été ni contrôlées ni approuvées par le fabricant

- Montez l'appareil en respectant scrupuleusement les présentes instructions.
- N'utilisez que des pièces de rechange agréées par le fabricant. Cela concerne en particulier :
 - les lames de scie (numéros de commande voir chapitre 11. Accessoires).
 - les dispositifs de sécurité.
 - laser de coupe.
 - l'éclairage de la zone de coupe.
- Ne modifiez pas les pièces de l'appareil.
- Veillez à ce que la vitesse indiquée sur la lame de scie soit au moins aussi élevée que celle indiquée sur la scie.



Risque lié à un défaut de l'appareil !

- Avant chaque mise en service, contrôlez si l'appareil ne présente pas de dommages : avant de réutiliser l'appareil, le bon fonctionnement des dispositifs de sécurité, des dispositifs de protection ou des pièces légèrement endommagées doit être soigneusement contrôlé. Assurez-vous que les pièces mobiles fonctionnent correctement et ne se bloquent pas. Toutes les pièces doivent être montées correctement et satisfaire à toutes les conditions nécessaires pour garantir le parfait fonctionnement de l'appareil.
- Ne pas utiliser de lames de scie endommagées ou déformées.



Risque lié au bruit !

- Portez des protège-oreilles.



Risque lié à des pièces ou à des parties de pièces à usiner qui bloquent !

En cas de blocage :

1. arrêter l'appareil,
2. débrancher la fiche secteur de la prise de courant ou retirer la batterie amovible,
3. porter des gants,
4. éliminer le blocage avec un outil approprié.

3.2 Consignes de sécurité spéciales pour machines sans fil :

Retirer la batterie de l'outil avant toute opération de réglage, de changement d'accessoire, de maintenance ou de nettoyage.



Protégez les batteries de l'humidité !



N'exposez pas les batteries au feu !

Ne pas utiliser de batteries défectueuses ou déformées !

Ne pas ouvrir les batteries !

Ne jamais toucher ni court-circuiter entre eux les contacts d'une batterie.



Une batterie Li-Ion défectueuse peut occasionner une fuite de liquide légèrement acide et inflammable !



En cas de fuite d'acide de batterie et de contact avec la peau, rincer immédiatement et abondamment à l'eau.


En cas de projection dans les yeux, les laver à l'eau propre et consulter immédiatement un médecin !

Transport de blocs batteries Li-Ion : l'expédition de blocs batteries Li-Ion est soumise à la législation sur les produits dangereux (UN 3480 et UN 3481). Lors de l'envoi de blocs batteries Li-Ion, clarifiez les prescriptions actuellement valables. Informez-vous le cas échéant auprès de votre entreprise de transport. Un emballage certifié est disponible chez Metabo.


3.3 Symboles sur l'appareil (en fonction du modèle)





Lire les instructions d'utilisation.

 Ne pas mettre les mains dans la lame de scie.

 Porter des lunettes de protection et une protection acoustique.

 Ne pas utiliser l'appareil dans un environnement humide ou mouillé.

 Rayon laser - ne pas regarder dans le faisceau.

 Construction de classe II
V volts
A ampères
Hz hertz
.../min évolutions par minute
~ courant alternatif
= courant continu
n₀ vitesse à vide

3.4 Dispositifs de sécurité Capot de protection pendulaire (18)

Le capot de protection pendulaire protège contre des contacts involontaires avec la lame de scie et évite la projection de sciures.

Verrouillage de sécurité (26)

Appareils sans fil : la machine peut uniquement être mise en marche lorsque le verrouillage de sécurité est actionné.

Appareils filaires : le capot de protection pendulaire s'ouvre et la machine peut être abaissée lorsque le verrouillage de sécurité est actionné.

Butée (19)

La butée empêche la pièce à usiner de bouger durant le sciage. La butée doit toujours être montée pour le fonctionnement.

Le profil supplémentaire (31) au niveau de la butée doit être déplacé en desserrant la vis de fixation pour les (32) coupes inclinées.

4. Vue d'ensemble

Voir page 2.

- 1 Table
- 2 Table rotative
- 3 Poignée de fixation pour table rotative
- 4 Insert de table
- 5 Arrêt de lame de scie
- 6 Tubulure d'aspiration pour sciures
- 7 Sac collecteur de sciures
- 8 Fermeture du sac collecteur de sciures
- 9 Fixation pour le transport
- 10 Bouton de verrouillage (pour augmenter l'angle d'inclinaison de +/- 2 °)
- 11 Levier de fixation pour le réglage de l'inclinaison
- 12 Poignée de transport
- 13 Clé à six pans creux / rangement d'outils pour clé à six pans creux
- 14 Dispositif de serrage des pièces à usiner
- 15 Poignée de scie
- 16 Sortie laser
- 17 Éclairage de la zone de coupe
- 18 Capot de protection pendulaire
- 19 Butée
- 20 Guide latéral
- 21 Rallonge latérale de table
- 22 Vis d'arrêt de la rallonge de table latérale
- 23 Interrupteur de marche/arrêt de l'éclairage de la zone de coupe
- 24 Interrupteur de marche/arrêt du laser de coupe
- 25 Interrupteur marche/arrêt de la scie (le trou dans l'interrupteur doit être utilisé pour sécuriser la machine à l'aide d'un cadenas contre les mises en marche involontaires).
- 26 Verrouillage de sécurité
- 27 Batterie *
- 28 Indicateur de capacité et de signalisation *
- 29 Touche de l'indicateur de capacité *
- 30 Touche de déverrouillage des blocs batteries *

* en fonction du modèle/de l'équipement

5. Installation et transport

Le cas échéant, monter la rallonge (21) de table latérale (en fonction du modèle)

1. Sortir la rallonge de table latérale droite et gauche de l'emballage de transport.
2. Dévisser les vis (33) au niveau des rails de guidage de la rallonge de table latérale droite et gauche.
3. Glisser les rails de guidage entièrement dans les logements. Placer la rallonge de table avec guide latéral escamotable (20) sur le côté droit.
4. Soulever l'appareil au niveau des pieds avant, le basculer prudemment vers l'arrière et le déposer de manière stable.
5. Revisser fermement (33) les vis au niveau des rails de guidage.
6. Saisir l'appareil au niveau des pieds avant, le basculer prudemment vers l'avant et le déposer.
7. Régler la largeur de table souhaitée et bloquer les rallonges de table à l'aide des vis (22) d'arrêt.

Placer l'autocollant d'avertissement laser

La machine est fournie avec une plaque d'avertissement laser en langue allemande. Avant la première mise en service, collez l'autocollant d'avertissement laser fourni dans votre langue sur cette plaque d'avertissement.

Installation

Pour travailler en toute sécurité, l'appareil doit être fixé sur un support stable.

- Une table de travail ou un établi fixe peuvent servir de support.
- L'appareil doit rester stable en cas de travail sur de grandes pièces.
- Les pièces de longueur importante doivent être soutenues avec des accessoires adaptés.

AVIS

Pour l'utilisation mobile, l'appareil peut être vissé sur une plaque en contreplaqué ou en lamellé collé (20 in x 20 in (500 mm x 500 mm), d'une épaisseur minimale de 3/4 in (19 mm)). Lors de l'utilisation de l'appareil, cette plaque doit être fixée sur un établi à l'aide de serre-joints à serrage à vis.

1. Visser l'appareil sur le support.
2. Défaire la fixation pour le transport (9) : pousser la tête de sciage légèrement vers le bas et la maintenir. Retirer la fixation pour le (9) transport.

ATTENTION

Le verrouillage de transport (9) ne doit pas être utilisé pour réaliser des opérations de coupe. Il est uniquement adapté pour le transport et le stockage.

3. Basculer lentement la tête de sciage vers le haut.

Transport

1. Basculer la tête de sciage vers le bas et enfoncer la fixation pour le (9) transport.

ATTENTION

Ne transportez pas la scie en la maintenant par les dispositifs de protection.

2. Soulever et déplacer l'appareil à l'aide de la poignée de (12) transport.

6. Vue détaillée de l'appareil

6.1 Interrupteur de marche/arrêt du moteur (25)

Mettre le moteur en marche :

- Appuyer sur l'interrupteur de marche/arrêt et le maintenir enfoncé.

Arrêter le moteur :

- Lâcher l'interrupteur de marche/arrêt.

6.2 Interrupteur de marche/arrêt de l'éclairage de la zone de coupe (23)

Allumer et éteindre l'éclairage de la zone de coupe.

ATTENTION

Ne pas diriger le faisceau lumineux sur les yeux des personnes ou d'animaux.

AVIS

Pour les appareils sans fil : en cas de courte pause, l'éclairage de la zone de coupe s'éteint (mode veille) et se réactive automatiquement lors de la reprise du travail. En cas de longue pause, l'éclairage de la zone de coupe s'éteint. Pour le rallumer : actionner (23) l'interrupteur.

6.3 Interrupteur de marche/arrêt du laser de coupe (24)

Allumer et éteindre le laser de coupe

Le laser de coupe marque une ligne à gauche de la ligne de coupe. Effectuez une coupe d'essai pour vous familiariser avec le positionnement.

ATTENTION

RAYONNEMENT
LASER NE PAS REGARDER DANS LE FAISCEAU

Rendement maximum <1 mW
Longueur d'onde : 650 nm
Conforme à 21CFR 1040.10e
Laser catégorie II

AVIS

Pour les appareils sans fil : en cas de courte pause, le laser de coupe s'éteint (mode veille) et se réactive automatiquement lors de la reprise du travail. En cas de longue pause, le laser de coupe s'éteint. Pour le rallumer : actionner (24) l'interrupteur.

6.4 Réglage de l'inclinaison

Après avoir desserré le levier de blocage (11), la scie peut être inclinée librement entre 0° et 45° à gauche de la perpendiculaire (36).

Durant le réglage, pousser sur le bouton de verrouillage (10) afin de régler des angles allant jusqu'à 47° à gauche de la perpendiculaire ou jusqu'à 2° à droite de la perpendiculaire.

AVERTISSEMENT

Pour que l'angle d'inclinaison ne change pas durant le sciage, le levier de blocage (11) du bras inclinable doit être serré.

6.5 Table rotative

Pour les coupes en onglet, la table rotative peut être tournée de (3) 47° vers la gauche ou de 47° vers la droite après que le levier de blocage a été desserré. Cela permet de régler l'angle de coupe par rapport au bord avant de la pièce à usiner.

AVERTISSEMENT

Pour que l'angle de l'onglet ne change pas durant le sciage, le levier de blocage (3) de la table rotative (même dans les positions crantées !) doit être serré.

7. Mise en service

7.1 Raccorder le sac collecteur de sciures / le dispositif d'aspiration de sciures

AVERTISSEMENT

Certaines sciures de bois (bois de chêne, de hêtre ou de frêne, p. ex.) sont cancérigènes en cas d'inhalation.

- Travaillez toujours avec le sac collecteur de sciures ou un dispositif d'aspiration de sciures adapté.

- Utilisez également un masque antipoussières, car toutes les sciures ne peuvent être collectées ou aspirées.

– Videz régulièrement le sac collecteur de sciures. Portez un masque antipoussières lorsque vous videz le sac.

Si vous mettez l'appareil en marche avec le sac collecteur de sciures fourni :

- raccordez le sac collecteur de sciures (7) sur la tubulure d'aspiration de sciures (6). Veillez à ce que la fermeture du sac collecteur de sciures (8) soit fermée.

Si vous raccordez l'appareil à un dispositif d'aspiration de sciures :

- utilisez un adaptateur adapté pour le raccordement à la tubulure d'aspiration de sciures (voir chapitre 11. « Accessoires »).
- Veillez à ce que le dispositif d'aspiration de sciures réponde aux exigences mentionnées au chapitre 15. « Caractéristiques techniques ».
- Respecter également les instructions d'utilisation du dispositif d'aspiration des sciures !

7.2 Montage du dispositif de serrage des pièces à usiner

Le dispositif de serrage des pièces à usiner (14) peut être monté dans deux positions :

- Pour les pièces larges : glisser le dispositif de serrage pour les pièces à usiner dans le trou arrière (34) de la table.
- Pour les pièces étroites : glisser le dispositif de serrage pour les pièces à usiner dans le trou avant (35) de la table.

7.3 Pour les machines fonctionnant sur secteur

⚠ DANGER

Tension électrique

Utilisez uniquement l'appareil avec une source d'alimentation électrique répondant aux exigences suivantes (voir également chapitre 15. « Caractéristiques techniques ») :

- La tension et la fréquence du secteur doivent correspondre à celles indiquées sur la plaque signalétique de l'appareil ;
- Protection avec un disjoncteur de protection avec un courant de défaut de 30 mA ;
- Prises de courant installées, mises à la terre et contrôlées de manière réglementaire.
- Placez le câble d'alimentation de manière à ce qu'il ne gêne pas le travail et ne puisse pas être endommagé.
- Pour les rallonges, utilisez uniquement des câbles en caoutchouc avec une section suffisante (3 x 1,5 mm²).
- Utilisez des rallonges adaptées pour l'extérieur. Pour tout travail à l'extérieur, utiliser uniquement des rallonges de câble prévues à cet effet et portant les indications correspondantes.
- Évitez toute mise en marche involontaire. Assurez-vous que l'interrupteur se trouve en position « arrêt » avant de brancher la fiche dans la prise de courant.
- Fiches polarisées : pour réduire le risque de choc électrique, cet équipement est doté d'une fiche polarisée (une lame est plus large que l'autre). Cette fiche ne s'adaptera que d'un côté dans une prise de courant polarisée. Si la fiche ne s'insère pas entièrement dans la prise, inversez-la. Si elle ne s'adapte toujours pas, contactez un électricien qualifié pour installer la bonne prise. Ne changez en aucun cas la fiche.

7.4 Pour les machines sans fil

- Évitez toute mise en marche involontaire. Assurez-vous que l'interrupteur se trouve en position « arrêt » avant de placer la batterie.

Batterie

Charger la batterie (27) avant utilisation.

En cas de baisse de puissance, recharger la batterie.

La température de stockage optimale se situe entre 10°C et 30°C.

Les batteries Li-Ion « Li-Power » sont pourvues d'un indicateur de capacité et de signalisation (28) :

- Presser la touche (29) pour afficher l'état de charge par le biais des voyants LED.

– Si un voyant LED clignote, la batterie est presque épuisée et doit être rechargée.

Retrait et mise en place de la batterie

Retrait : appuyer sur le bouton de déverrouillage de la batterie (30) et sortir la batterie (27) par l'arrière.

Insertion : insérer la batterie (27) jusqu'à ce qu'elle s'encliquète.

8. Utilisation

- Avant de commencer le travail, vérifiez le bon état des dispositifs de protection.
- Veillez à garder une position de travail correcte lors du sciage :
 - à l'avant, côté opérateur ;
 - face à la scie ;
 - à côté du plan de la lame de scie.

⚠ AVERTISSEMENT

Si possible, fixez la pièce à usiner à l'aide du dispositif de serrage des pièces à usiner (14).

⚠ AVERTISSEMENT

Risque de pincement !

Ne placez pas vos mains dans la zone des charnières ou sous l'appareil lors de l'inclinaison ou du basculement de la tête de sciage !

- Tenez fermement la tête de sciage lorsque vous l'inclinez.
- Pendant le travail, veuillez utiliser :
 - un porte-pièces pour les longues pièces lorsqu'elles risquent de tomber de la table après avoir été sciées ;
 - un sac collecteur de sciures ou un dispositif d'aspiration de sciures.
- Ne sciez que des pièces ayant des dimensions qui permettent de les maintenir de façon sûre pendant la coupe.
- Pendant le sciage, presser toujours la pièce sur la table sans la coincer. Ne pas freiner la lame de scie en exerçant une pression latérale. Risque d'accident si la lame de scie se bloque.

8.1 Coupes droites

Position de départ :

- Fixation pour le (9) transport retirée.
- Tête de sciage basculée vers le haut.
- Table rotative en position 0°, poignée de blocage (3) pour la table rotative serrée.
- Inclinaison du bras inclinable de 0° par rapport à la perpendiculaire, levier de blocage (11) pour le réglage de l'inclinaison serré.

Sciage de la pièce :

1. Presser la pièce à usiner contre la butée et la fixer à l'aide du dispositif de serrage pour (14) pièces à usiner.
2. Actionner le verrouillage de sécurité (26) et appuyer sur l'interrupteur de marche/arrêt (25) et le maintenir enfoncé.
3. Basculer lentement la tête de sciage totalement vers le bas en la maintenant par la poignée. Lors du sciage, presser la tête de sciage contre la pièce à usiner de manière à ce que la vitesse du moteur ne baisse pas trop.
4. Scier la pièce en un seul mouvement.
5. Relâcher l'interrupteur de marche/arrêt (25) et laisser lentement la tête de sciage basculer vers le haut pour retrouver sa position initiale.

8.2 Coupes en onglet

Position de départ :

- Fixation pour le (9) transport retirée.
- Tête de sciage basculée vers le haut.
- Inclinaison du bras inclinable de 0° par rapport à la perpendiculaire, levier de blocage (11) pour le réglage de l'inclinaison serré.

Sciage de la pièce :

1. Desserrer la poignée de blocage (3) de la table rotative.
2. Réglez l'angle souhaité.

3. Resserrer la poignée de blocage (3) de la table rotative.

4. Scier la pièce comme indiqué pour les « coupes droites ».

8.3 Coupes en biais

Position de départ :

- Fixation pour le (9) transport retirée.
- Tête de sciage basculée vers le haut.
- Table rotative en position 0°, poignée de blocage (3) pour la table rotative serrée.

Sciage de la pièce :

1. Desserrer le levier de blocage (11) pour le réglage de l'inclinaison à l'arrière de la scie.
2. Incliner doucement le bras inclinable dans la position souhaitée.
3. Serrer le levier de blocage (11) pour le réglage de l'inclinaison.
4. Scier la pièce comme indiqué pour les « coupes droites ».

8.4 Doubles coupes en onglet

AVIS

La double coupe en onglet est une combinaison entre une coupe en onglet et une coupe en biais. Cela signifie que la pièce est sciée en biais par rapport au bord arrière et en biais par rapport à la face supérieure.

⚠ AVERTISSEMENT

Pour la double coupe en biais, la lame de scie est plus facilement accessible en raison de la forte inclinaison – cela augmente le risque de blessure. Gardez une distance suffisante par rapport à la lame de scie !

Position de départ :

- Fixation pour le (9) transport retirée.
- Tête de sciage basculée vers le haut.
- Table rotative bloquée dans la position souhaitée.
- Bras inclinable incliné dans l'angle souhaité et bloqué dans cette position.

Sciage de la pièce :

- Scier la pièce comme indiqué pour les « coupes droites ».

9. Maintenance et entretien

⚠ DANGER

Avant tout travail de maintenance et de nettoyage, retirer la fiche de la prise ou retirer la batterie (27) amovible.

- Les travaux de maintenance et de réparation autres que ceux décrits dans ce chapitre peuvent uniquement être exécutés par une personne compétente.
- Les pièces endommagées, notamment les dispositifs de sécurité, peuvent uniquement être remplacées par des pièces originales. Les pièces qui ne sont pas contrôlées et homologuées par le fabricant sont susceptibles de provoquer des dommages imprévisibles
- Après les travaux de maintenance et de nettoyage, remettre en service tous les dispositifs de sécurité et les contrôler.

9.1 Changement de lame de scie

⚠ AVERTISSEMENT

Risque de brûlure !

Juste après la coupe, la lame de scie peut encore être très chaude. Laisser refroidir la lame si elle est chaude. Ne pas nettoyer la lame de scie chaude avec des liquides inflammables.

⚠ AVERTISSEMENT

Risque de coupure, même lorsque la lame est immobile !

Lors du desserrage et du serrage de la vis de serrage, (41) le capot de protection pendulaire

doit être **(18)** basculé au-dessus de la lame de scie. Toujours porter des gants pour remplacer la lame de scie.

- Débrancher la fiche de la prise ou retirer la batterie **(27)** amovible.
- Placer la tête de sciage dans la position supérieure.
- Dévissez la vis gauche du couvercle de protection des vis de serrage **(40)**. Orientez le couvercle des vis de serrage **(40)** vers le haut et décrochez-le, puis tournez-le vers le bas.
- Bloquer la lame de scie : appuyer sur le bouton d'arrêt et tourner la lame de scie avec l'autre main jusqu'à ce que le bouton d'arrêt s'encliquète. Maintenir le bouton d'arrêt enfoncé.
- Dévisser la vis de serrage avec la rondelle **(41)** sur l'arbre de la lame de scie à l'aide de la clé à six pans creux **(13)** en la tournant dans le sens des aiguilles d'une montre (filetage à gauche !).
- Desserrer le verrouillage de sécurité **(26)** (uniquement pour les appareils sur secteur) et pousser et maintenir le capot de protection pendulaire **(18)** vers le haut.
- Retirer prudemment la bride extérieure **(42)** et la lame de scie **(43)** de l'arbre de la lame de scie et refermer le capot de protection pendulaire.

AVERTISSEMENT

Ne pas utiliser de détergents (par ex. pour enlever des dépôts de résine), car cela pourrait détériorer les composants en métal léger et compromettre la solidité de la scie.

- Nettoyer les surfaces de serrage :
 - arbre de la lame de scie **(46)**,
 - lame de scie **(43)**,
 - bride extérieure **(42)**,
 - bride intérieure **(45)**.

AVERTISSEMENT

Placer correctement la bride intérieure ! Dans le cas contraire, la scie risque de se bloquer ou la lame de scie risque de se détacher ! La bride intérieure est correctement installée lorsque la rainure circulaire est orientée vers la lame de scie et que le côté plat est orienté vers le moteur.

- Installer la bride **(45)** intérieure.
- Desserrer le verrouillage de sécurité **(26)** (uniquement pour les appareils sur secteur) et pousser et maintenir le capot de protection pendulaire **(18)** vers le haut.
- Installer une nouvelle lame de scie – respecter le sens de rotation : vu du côté gauche (ouvert), la flèche sur la lame de scie doit correspondre à la direction de la flèche **(44)** sur le cache de la lame de scie !

AVERTISSEMENT

Utilisez exclusivement des lames de scie, qui sont conformes aux exigences et aux données caractéristiques indiquées dans la présente notice d'utilisation.

Utilisez uniquement des lames de scie adaptées à la vitesse maximale (voir « Caractéristiques techniques » – en cas d'utilisation de lames de scie inappropriées ou endommagées, la force centrifuge peut brusquement projeter les pièces.

Il est interdit d'employer :

- des lames de scie en acier rapide fortement allié (HSS) ;
- des lames de scie endommagées ;
- des meules à tronçonner.

AVERTISSEMENT

- Utilisez uniquement des pièces d'origine pour monter la lame de scie.
- Ne pas utiliser de bagues de réduction libres ; la lame de scie pourrait se défaire.
- Les lames doivent être montées de manière à tourner sans déséquilibre ni à-coups et sans se détacher lors du fonctionnement.

- Refermer le capot de protection **(18)** pendulaire.

- Installer la bride extérieure **(42)** – le côté plat doit être orienté vers le moteur !
- Visser la vis de serrage avec la rondelle **(41)** dans le sens contraire des aiguilles d'une montre (filetage à gauche !) et à la main.
- Bloquer la lame de scie : appuyer sur le bouton d'arrêt **(5)** et tourner la lame de scie avec l'autre main jusqu'à ce que le bouton d'arrêt s'encliquète. Maintenir le bouton d'arrêt enfoncé.

AVERTISSEMENT

- Ne pas rallonger la clé à fourche.
 - Ne pas frapper sur la clé à fourche pour serrer la vis de serrage.
- Serrer fermement la vis de serrage **(41)** à l'aide de la clé à fourche **(13)**.
 - Orientez le couvercle des vis de serrage **(40)** vers le haut, puis revissez avec la vis gauche.
 - Vérifier le fonctionnement. Pour cela, défaire le verrouillage de sécurité **(26)** (uniquement pour les appareils sur secteur) et rabattre la scie vers le bas :
 - lors du basculement vers le bas, le capot de protection pendulaire doit libérer la lame de scie sans toucher d'autres pièces.
 - Lors du basculement de la scie vers le haut dans sa position initiale, le capot de protection pendulaire doit automatiquement couvrir la lame de scie.
 - Tourner la lame de scie à la main. La lame de scie doit tourner dans toutes les positions de réglage sans toucher d'autres pièces.

9.2 Changement de l'insert de table

AVERTISSEMENT

L'utilisation d'un insert de table endommagé **(4)** peut entraîner la chute de petits objets entre l'insert de table et la lame de scie, et bloquer la lame de la scie. Remplacez immédiatement l'insert de table s'il est endommagé !

- Dévisser les vis au niveau de l'insert de table. Le cas échéant, tourner la table rotative et incliner la tête de sciage afin de pouvoir atteindre les vis.
- Retirer l'insert de table.
- Installer le nouvel insert de table.
- Resserrer les vis au niveau de l'insert de table.

9.3 Ajustement de la butée

- Desserrer les vis à six pans **(47)** creux.
- Positionner la butée **(19)** de manière à ce qu'elle soit parfaitement perpendiculaire à la lame de scie lorsque la table rotative s'encliquète dans la position 0°.
- Resserrer les vis à six pans **(47)** creux.

9.4 Ajustement du laser de coupe

Régler le laser en angle droit

- Desserrer la vis **(37)** centrale. Tourner le laser.
- Resserrer la vis **(37)** centrale.

Régler le laser latéralement

- Desserrer la vis droite **(39)** et la vis **(38)** gauche. Déplacer le laser horizontalement.
- Resserrer la vis droite **(39)** et la vis **(38)** gauche.

9.5 Nettoyage de l'appareil

Éliminer les sciures et les poussières à l'aide d'une brosse ou d'un aspirateur au niveau :

- des dispositifs de réglage ;
- des éléments de commande ;
- des fentes d'aération du moteur ;
- de l'espace sous l'insert de table ;
- du laser de coupe ;
- de l'éclairage de la zone de coupe.

9.6 Stockage de l'appareil

AVERTISSEMENT

- Conservez l'appareil de manière à ce qu'il ne puisse pas être mis en marche par des personnes non autorisées.
- Le trou dans l'interrupteur doit être utilisé pour sécuriser la machine à l'aide d'un cadenas contre les mises en marche involontaires.
- Veillez à ce que personne ne puisse se blesser en touchant l'appareil.

ATTENTION

- Ne pas entreposer l'appareil en plein air ni dans un endroit humide sans protection.

9.7 Maintenance

Avant chaque utilisation

- Éliminer les sciures à l'aide d'un aspirateur ou d'un pinceau.
- Vérifier si le câble d'alimentation et la fiche ou la batterie ne sont pas endommagés et le cas échéant, les faire remplacer par un électricien.
- Contrôler toutes les pièces mobiles afin de vérifier si elles bougent librement dans sur toute leur course.

Régulièrement, en fonction des conditions d'utilisation

- Contrôler tous les raccords à vis et les resserrer si nécessaire.
- Vérifier la fonction de remise en position de la tête de sciage (la tête de sciage doit retourner dans sa position supérieure initiale par la force du ressort), le cas échéant, faire remplacer le ressort.
- Huiler légèrement les éléments de guidage.

10. Trucs et astuces

- Pour les pièces longues, utiliser des supports adaptés à gauche et à droite de la scie.
- Pour les coupes en biais, maintenir la pièce à droite de la lame de scie.
- Pour le sciage de petites sections, utiliser un guide supplémentaire (vous pouvez par exemple utiliser une planche en bois vissée au guide de l'appareil).
- Lors du sciage d'une planche bombée (déformée), **(48)** placer le côté bombé vers l'extérieur contre la butée.
- Ne pas scier les pièces à la verticale, mais à plat sur la table rotative.

11. Accessoires

Utiliser uniquement des accessoires originaux Metabo

Utiliser exclusivement des accessoires, qui sont conformes aux exigences et aux données caractéristiques indiquées dans la présente notice d'utilisation.

A Spray de maintenance et d'entretien pour éliminer les résidus de résine et pour préserver les surfaces métalliques. 0911018691

B Adaptateur d'aspiration multiple pour le raccordement de tuyaux d'aspiration avec un raccord de 44, 58 ou 100 mm 0910058010

C Aspirateur multi-usages Metabo (voir catalogue)

D Supports :
Support de machine universel UMS 6.3131700
Support mobile KSU 250 Mobile 6.3131800
Support KSU 400 0910066110

E Supports à roulettes :
RS 420 0910053353
RS 420 G 0910053345
RS 420 W 0910053361

Gamme d'accessoires complète, voir www.metabo.com ou catalogue.

12. Réparations

DANGER

Seuls des électriciens qualifiés ont le droit de réparer l'outillage électrique !

Lors de l'entretien, utilisez uniquement des pièces de rechange identiques.

Pour toute réparation sur un outil électrique Metabo, contacter le représentant Metabo. Voir les adresses sur www.metabo.com.

Les listes des pièces détachées peuvent être téléchargées sur www.metabo.com.

13. Protection de l'environnement

Suivez les réglementations nationales concernant l'élimination écologique et le recyclage des machines, des emballages et des accessoires.

14. Problèmes et pannes

Vous trouverez ci-dessous une description de problèmes et de solutions que vous pouvez régler vous-même. Si les mesures de dépannage décrites ici ne vous aident pas, consultez le chapitre 12. « Réparation ».

AVERTISSEMENT

De nombreux accidents ont lieu à cause de problèmes et de pannes. Tenez donc compte des points suivants :

- Débrancher la fiche de la prise ou retirer la batterie (27) amovible avant tout dépannage.
- Après chaque intervention, remettre en service tous les dispositifs de sécurité, puis les contrôler.

Pas de fonction pendulaire

Fixation pour le transport verrouillée :

- retirer la fixation pour le transport.

Verrouillage de sécurité verrouillé :

- défaire le verrouillage de sécurité.

Puissance de sciage trop faible

Lame de scie émoussée (la lame présente éventuellement des traces de brûlure sur le côté) ;

Lame de scie inadaptée au matériau (voir chapitre 11. « Accessoires ») ;

Déformation de la lame de scie :

- remplacer la lame de scie (voir chapitre 9. « Maintenance »).

Scie vibre trop

Déformation de la lame de scie :

- remplacer la lame de scie (voir chapitre 9. « Maintenance »).

Lame de scie mal montée :

- monter correctement la lame de scie (voir chapitre 9. « Maintenance »).

Table rotation tourne difficilement

Sciures sous l'insert de table :

- éliminer les sciures.

D_2	= débit d'air minimum
D_3	= dépression minimale au niveau de la tubulure d'aspiration
D_4	= vitesse de l'air minimale au niveau de la tubulure d'aspiration

Section maximale de la pièce à usiner voir tableau page 4

Les caractéristiques indiquées sont soumises à tolérance (selon les normes en vigueur correspondantes).

Valeurs d'émission

Ces valeurs permettent l'estimation des émissions de l'outil électrique et la comparaison entre différents outils électriques. Selon les conditions d'utilisation, l'état de l'outil électrique ou les accessoires utilisés, la sollicitation réelle peut varier plus ou moins. Pour l'estimation, tenir compte des pauses de travail et des phases de sollicitation moindre. Définir des mesures de protection pour l'utilisateur sur la base des valeurs estimatives adaptées en conséquence, p. ex. mesures organisationnelles.

Niveaux sonores types A évalués :

L_{pA} = niveau de pression acoustique

L_{WA} = niveau de puissance acoustique

K_{pA} , K_{WA} = incertitude

Porter des protège-oreilles !

15. Caractéristiques techniques

Commentaires sur les indications de la page 3.

Sous réserve de modifications allant dans le sens du progrès technique.

U	= tension de secteur / tension de la batterie
I	= courant nominal
F	= protection par fusible min.
P_1	= puissance absorbée
IP	= type de protection
n_0	= vitesse à vide
v_0	= vitesse de coupe max.
D	= diamètre de la lame de scie (extérieur)
d	= trou de la lame de scie (intérieur)
b	= largeur de dent max. de la lame de scie
A	= dimensions (LxlxH)
m	= poids
Exigences relatives au dispositif d'aspiration des sciures :	
D_1	= diamètre du raccord de la tubulure d'aspiration

Instrucciones de manejo

Índice

1. Declaración de conformidad
2. Aplicación de acuerdo a la finalidad
3. Instrucciones generales de seguridad
4. Instrucciones especiales de seguridad
5. Descripción general
6. Montaje y transporte
7. El aparato al detalle
8. Puesta en marcha
9. Manejo
10. Mantenimiento y conservación
11. Consejos y trucos
12. Accesorios
13. Reparación
14. Protección medioambiental
15. Problemas y averías
16. Datos técnicos

1. Aplicación de acuerdo a la finalidad

La sierra de inglete es apropiada para secciones longitudinales y transversales, cortes inclinados, cortes al sesgo así como cortes a doble inglete.

Sólo se deben mecanizar aquellos materiales para los que sea adecuada la hoja de sierra correspondiente (para hojas de sierra admitidas véase el capítulo 11. Accesorios).

Se deben respetar las dimensiones admisibles de las piezas (véase el capítulo 15. Datos técnicos).

No se deben serrar piezas de trabajo con sección transversal redonda o irregular (como p.ej. leña), ya que no se podrán retener con seguridad al aserrar. Cuando la sierra se utiliza para cortar cantos en piezas de trabajo planas, es preciso utilizar un tope auxiliar adecuado para asegurar un guiado correcto.

Cualquier otro uso está en desacuerdo a su finalidad. Mediante un uso contrario a su finalidad, modificaciones en el aparato o al usar piezas que no hayan sido controladas ni habilitadas por el productor se pueden producir daños imprevisibles.

2. Instrucciones generales de seguridad



Por favor, por su propia protección y la de su herramienta eléctrica, preste especial atención a las partes marcadas con este símbolo.

ADVERTENCIA



Lea el manual de instrucciones para reducir el riesgo de accidentes.

Si entrega su herramienta eléctrica a otra persona, es imprescindible acompañarla de este documento.

Instrucciones generales de seguridad para herramientas eléctricas



ADVERTENCIA

Lea íntegramente estas instrucciones de seguridad. La no observación de las instrucciones de seguridad siguientes puede dar lugar a descargas eléctricas, incendios y/o lesiones graves.

Guarde estas instrucciones de seguridad en un lugar seguro! El término "herramienta eléctrica" empleado en las siguientes instrucciones se refiere a su aparato eléctrico portátil, ya sea con cable de red, o sin cable, es decir, con cargador de baterías.

1. MANTENGA LAS PROTECCIONES en su lugar y en buen estado de funcionamiento.
2. RETIRE TODAS LAS LLAVES Y HERRAMIENTAS DE AJUSTE. Habitúese a comprobar que

se han retirado todas las llaves y herramientas de ajuste antes de poner en marcha la herramienta.

3. MANTENGA LIMPIA LA ZONA DE TRABAJO. El desorden en las zonas y bancos de trabajo puede provocar accidentes.

4. NO UTILICE HERRAMIENTAS ELÉCTRICAS EN ENTORNOS PELIGROSOS. No utilice herramientas eléctricas en lugares húmedos o mojados ni las esponja a la lluvia. Mantenga la zona de trabajo bien iluminada.

5. MANTENGA A LOS NIÑOS ALEJADOS. Todas las personas ajenas al trabajo deben guardar una distancia de seguridad con respecto a la zona de trabajo.

6. PROTEJA EL TALLER ANTE LA PRESENCIA DE NIÑOS con candados, interruptores generales o retirando las llaves de encendido.

7. NO FUERCE LA HERRAMIENTA. El trabajo se realizará mejor y de forma más segura a la velocidad para la cual ha sido diseñada.

8. UTILICE LA HERRAMIENTA ADECUADA. No fuerce la herramienta ni los accesorios para llevar a cabo trabajos para los cuales no han sido diseñados.

9. UTILICE UN CABLE ALARGADOR ADECUADO. Compruebe que el cable alargador esté en buen estado. Cuando utilice un cable alargador, asegúrese de que tenga una sección adecuada para transmitir la corriente a su herramienta. Un cable de sección insuficiente causará una caída de tensión de la línea, y como consecuencia, la pérdida de potencia y el calentamiento del cable. En la Tabla (A) (véase la Tabla de la página 4) se indican las secciones correctas a utilizar en función de la longitud del cable y del amperaje indicado en la placa de identificación. En caso de duda, utilice la siguiente sección mayor. Cuanto más pequeño sea el número de calibre, mayor será el diámetro.

10. UTILICE ROPA DE PROTECCIÓN. No utilice prendas holgadas, guantes, corbatas, anillos, pulseras o joyas que puedan quedar enganchadas en las partes móviles. Se recomienda utilizar calzado antideslizante. Utilice recedillas de protección para recoger el pelo largo.

11. UTILICE SIEMPRE GAFAS DE SEGURIDAD. Si la operación de corte genera polvo, utilice también una mascarilla facial o una mascarilla antipolvo. Las gafas correctoras de uso diario solo tienen cristales resistentes a los impactos, NO SON gafas de seguridad.

12. SUJETE BIEN LA PIEZA. Si resulta más práctico, utilice fijaciones o un tornillo de banco para sujetar la pieza. Es más seguro que utilizar las manos y deja ambas manos libres para manejar la herramienta.

13. NO ADOpte POSTURAS FORZADAS. Trabaje sobre una base firme y mantenga el equilibrio en todo momento.

14. MANTENGA CUIDADOSAMENTE LAS HERRAMIENTAS. Mantenga las herramientas afiladas y limpias para trabajar mejor y de forma más segura. Siga las instrucciones sobre lubricación y cambio de accesorios.

15. DESCONECTE LAS HERRAMIENTAS antes de realizar su mantenimiento y cambiar accesorios, como hojas, brocas, cuchillas, etc.

16. REDUZCA EL RIESGO DE PUESTA EN MARCHA ACCIDENTAL. Antes de enchufar la máquina, asegúrese de que el interruptor esté en la posición de desconexión.

17. UTILICE ACCESORIOS RECOMENDADOS. En relación con los accesorios recomendados, consulte el manual del usuario. El uso de accesorios inadecuados puede causar riesgo de lesiones a las personas.

18. NUNCA SE SUBA ENCIMA DE LA HERRAMIENTA. Si la herramienta se ladea o si toca involuntariamente el elemento de corte puede sufrir graves lesiones.

19. COMPRUEBE LAS PIEZAS DAÑADAS. Antes de seguir utilizando una herramienta, compruebe las protecciones u otras piezas ligeramente dañadas para determinar si funcionarán bien y cumplirán correctamente su función - compruebe la alineación de las piezas móviles, que no estén agarrotadas, que no estén rotas, su montaje y otras cosas que puedan afectar a su funcionamiento. Las protecciones y

las piezas dañadas deben repararse debidamente o ser sustituidas.

20. DIRECCIÓN DE AVANCE. Aproxime la pieza a trabajar hacia la hoja o cuchilla en sentido contrario a la dirección de giro de la hoja o cuchilla.

21. NUNCA DEJE DESATENDIDA UNA HERRAMIENTA EN MARCHA. DESCONECTE LA ALIMENTACIÓN ELÉCTRICA. No abandone la herramienta hasta que esté completamente parada.

2.1 Seguridad en el puesto de trabajo

a) Mantenga su puesto de trabajo limpio y bien iluminado. El desorden y una iluminación deficiente en las áreas de trabajo pueden provocar accidentes.

b) No utilice la herramienta eléctrica en un entorno con peligro de explosión, donde se encuentren combustibles líquidos, gases o material en polvo. Las herramientas eléctricas producen chispas que pueden llegar a inflamar los materiales en polvo o los vapores.

c) Mantenga alejados a los niños y a otras personas de su puesto de trabajo mientras esté utilizando la herramienta eléctrica. Una distracción puede hacerle perder el control sobre el aparato.

2.2 Seguridad eléctrica

a) El enchufe de la herramienta eléctrica debe ser adecuado para la toma de corriente a utilizar. Está prohibido realizar cualquier tipo de modificación en el enchufe. No emplee adaptadores de enchufe con herramientas eléctricas conectadas a tierra. El uso de enchufes sin modificar y de tomas de corriente adecuadas reduce el riesgo de una descarga eléctrica.

b) Evite que su cuerpo toque partes conectadas a tierra, como por ejemplo tuberías, radiadores, cocinas y refrigeradores. El riesgo a quedar expuesto a una sacudida eléctrica es mayor si su cuerpo tiene contacto con tierra.

c) No exponga las herramientas eléctricas a la lluvia y evite que penetren líquidos en su interior. El riesgo a recibir una descarga eléctrica aumenta si entra agua en la herramienta eléctrica.

d) No utilice el cable de conexión para transportar ni colgar la herramienta eléctrica, ni tire de él para sacar el enchufe de la toma de corriente. Mantenga el cable de conexión alejado del calor, aceite, esquinas cortantes o piezas móviles. Los cables de red dañados o enredados pueden aumentar el riesgo de descarga eléctrica.

e) Cuando trabaje con la herramienta eléctrica al aire libre utilice únicamente cables alargadores homologados para su uso en exteriores. La utilización de un cable alargador adecuado para su uso en exteriores reduce el riesgo de descarga eléctrica.

f) Si fuera necesario utilizar la herramienta eléctrica en un entorno húmedo, utilice un interruptor de protección diferencial. La utilización de un cable alargador adecuado para su uso en exteriores reduce el riesgo de descarga eléctrica.

2.3 Seguridad de las personas

a) Esté atento a lo que hace y utilice la herramienta eléctrica con prudencia. No utilice la herramienta eléctrica si está cansado, ni después de haber consumido alcohol, drogas o medicamentos. Un simple descuido durante el uso de una herramienta eléctrica puede provocar lesiones graves.

b) Utilice un equipamiento de protección personal y lleve siempre gafas de protección. El riesgo de lesiones se reduce considerablemente si, en función del tipo de herramienta eléctrica y de su uso, se utiliza un equipamiento de protección personal adecuado, como una mascarilla antipolvo, zapatos de seguridad con suela antideslizante, casco, o protectores auditivos.

c) Evite una puesta en marcha fortuita del aparato. Asegúrese de que la herramienta eléctrica está apagada antes de conectarla a la toma de corriente y/o la batería, de

desconectarla o de transportarla. Si durante el transporte de la herramienta eléctrica, la sujeta por el interruptor de conexión/desconexión, o si introduce el enchufe en la toma de corriente con el aparato encendido, podría provocar un accidente.

d) **Retire las herramientas de ajuste o llaves fijas antes de conectar la herramienta eléctrica.** Una herramienta o llave colocada en una pieza giratoria puede producir lesiones al ponerse en funcionamiento.

e) **Evite trabajar con posturas forzadas. Trabaje sobre una base firme y mantenga el equilibrio en todo momento.**

Esto le permitirá controlar mejor la herramienta eléctrica en caso de presentarse una situación inesperada.

f) **Lleve ropa de trabajo adecuada. No utilice ropas amplias ni joyas. Mantenga su pelo, ropa y guantes alejados de las piezas móviles.** La ropa suelta, las joyas y el pelo largo se pueden enganchar en las piezas en movimiento.

g) **Siempre que sea posible utilice equipos de aspiración o captación de polvo, asegúrese de que están debidamente montados y sean utilizados correctamente.** La utilización de un sistema de aspiración de polvo puede reducir los riesgos que conlleva aspirar polvo.

h) **No se deje llevar por una sensación de falsa seguridad ni descuide las reglas de seguridad para herramientas eléctricas aunque esté familiarizado con ellas por su uso continuado.** Un descuido puede provocar graves lesiones en una fracción de segundo.

2.4 Uso y manejo de la herramienta eléctrica

a) **No sobrecargue el aparato. Utilice para su trabajo la herramienta eléctrica adecuada.** Con la herramienta adecuada podrá trabajar mejor y más seguro dentro del margen de potencia indicado.

b) **No utilice herramientas con un interruptor defectuoso.** Las herramientas que no se puedan conectar o desconectar correctamente son peligrosas y deben repararse.

c) **Extraiga el enchufe de la red y/o retire la batería antes de realizar un ajuste en la herramienta, de cambiar un accesorio o de guardar el aparato.** Esta medida preventiva reduce el riesgo de reconexión accidental del aparato.

d) **Guarde las herramientas eléctricas fuera del alcance de los niños. No permita que las utilicen personas que no estén familiarizadas con ellas o que no hayan leído estas instrucciones.** Las herramientas utilizadas por personas inexpertas son peligrosas.

e) **Cuide sus herramientas eléctricas y accesorios con esmero. Asegúrese de que las partes móviles de la herramienta funcionan correctamente y sin atascos, de que no haya partes rotas o deterioradas que pudieran afectar a su funcionamiento. Si la herramienta eléctrica estuviese defectuosa, repárela antes de volver a utilizarla.** Muchos de los accidentes se deben a aparatos con un mantenimiento deficiente.

f) **Mantenga las herramientas de corte limpias y afiladas.** Las herramientas de corte bien cuidadas y con filos afilados se atascan menos y son más fáciles de guiar.

g) **Utilice las herramientas eléctricas, los accesorios, las herramientas de inserción, etc., de acuerdo con estas instrucciones, teniendo en cuenta las condiciones de trabajo y la tarea a realizar.** El uso de herramientas eléctricas para trabajos diferentes de aquellos para los que han sido concebidas puede resultar peligroso.

h) **Mantenga las empuñaduras secas, limpias y libres de aceite y grasa.** Las empuñaduras y superficies de agarre resbaladizas impiden que el manejo y el control de la herramienta eléctrica sea seguro en situaciones imprevisibles.

2.5 Uso y cuidado de herramientas con baterías

a) **Antes de introducir la batería, asegúrese de que el interruptor esté en la posición de desconexión.** Introducir la batería en una herramienta eléctrica con el interruptor conectado puede provocar accidentes.

b) **Recargue la batería solo con el cargador especificado por el fabricante.** Si se utiliza un cargador apto para un tipo de baterías concreto con otro tipo de baterías distintas existe riesgo de incendio.

c) **Utilice las herramientas eléctricas solo con las baterías específicamente indicadas.** El uso de otro tipo de baterías puede provocar lesiones físicas e incendios.

d) **Cuando no se utilice, guarde la batería alejada de objetos metálicos, como clips, monedas, llaves, clavos, tornillos y otros objetos metálicos de pequeño tamaño que puedan puentear sus terminales.** Un cortocircuito entre los terminales de la batería puede causar quemaduras o un incendio.

e) **En condiciones inadecuadas, la batería puede tener fugas de líquido; evite el contacto. En caso de contacto accidental, aclare la zona afectada con abundante agua. En caso de contacto con los ojos, busque además asistencia médica.** El líquido de la batería puede causar irritaciones en la piel o quemaduras.

f) **Antes de hacer ajustes, cambiar accesorios o guardar la herramienta, saque la batería de la herramienta o coloque el interruptor en la posición de bloqueo o de desconexión.** Estas medidas preventivas reducen el riesgo de conectar accidentalmente la herramienta.

g) **No utilice una batería estropeada o modificada.** Las baterías estropeadas o modificadas pueden comportarse de forma imprevista y causar fuego, explosión o lesiones.

h) **No exponga una batería al fuego o temperaturas muy altas.** El fuego o las temperaturas superiores a 265 °F (130 °C) pueden provocar una explosión.

i) **Siga todas las instrucciones para la carga y nunca recargue la batería o la herramienta fuera del rango de temperatura especificado en las instrucciones de servicio.** Una carga incorrecta o fuera del rango de temperatura admisible puede destruir la batería y aumentar el riesgo de incendio.

2.6 Asistencia técnica

a) **Las reparaciones de las herramientas eléctricas solamente deben ser efectuadas por electricistas especializados.** Esto asegura que la seguridad de la herramienta eléctrica se mantiene.

b) **Nunca realice un mantenimiento de baterías dañadas.** Todo el mantenimiento de baterías debería ser realizado únicamente por el fabricante o centros de servicio técnico autorizados.

2.7 Otras indicaciones de seguridad

– Este manual está dirigido a personas con conocimientos técnicos básicos en el manejo de herramientas como las aquí descritas. Si usted no tiene dichos conocimientos, le aconsejamos que primero recurra a personas con dichos conocimientos.

– El fabricante queda exento de toda responsabilidad en caso de que se produzcan daños por no respetar lo establecido en este manual.

3. Instrucciones especiales de seguridad

a) **Las sierras de inglete están previstas para el corte de madera o productos leñosos, no se pueden utilizar para cortar materiales ferrosos como barras, varillas, tornillos, etc.** El polvo abrasivo provoca el bloqueo de piezas móviles como la cubierta protectora inferior. Las chispas de corte queman la cubierta protectora inferior, la placa de inserción y otras piezas de plástico.

b) **Fije la pieza con abrazaderas dependiendo de las posibilidades.** Si aprieta la pieza con la mano, deberá mantenerla siempre alejada al menos 4 in (100 mm) de cada lado de la hoja de sierra. No utilice esta sierra para cortar piezas que sean demasiado pequeñas para sujetarlas o mantenerlas con la mano. Si su mano está demasiado cerca de la hoja de sierra, existe un elevado riesgo de lesiones debido al contacto con la hoja.

c) **La pieza de trabajo debe estar inmovilizada y sujeta o presionada contra el tope y la mesa. No desplace la pieza de trabajo en la hoja de sierra ni corte nunca "a mano alzada".** Las piezas sueltas o en movimiento podrían salir despedidas a una alta velocidad y causar lesiones.

d) **Nunca cruce la mano por encima de la línea de corte prevista, ya sea delante o detrás de la hoja de sierra.** Apoyar la pieza "con las manos cruzadas", es decir, sujetar la pieza a la derecha junto a la hoja de sierra con la mano izquierda o al revés es muy peligroso.

e) **No agarre el tope por atrás cuando la hoja de sierra esté girando. Mantenga la distancia de seguridad mínima de 4 in (100 mm) entre la mano y la hoja de sierra giratoria (aplicable a ambos lados de la hoja, p.ej. al retirar restos de madera).** Probablemente no podrá detectar la cercanía de la hoja giratoria respecto a su mano y podría resultar gravemente herido.

b) **Compruebe la pieza antes de cortar. Si la pieza está doblada o deformada, ténsela con el lado curvado hacia fuera hasta el tope. Asegúrese siempre de que no exista a lo largo de la línea de corte ninguna hendidura entre la pieza de trabajo, el tope y la mesa.** Las piezas dobladas o deformadas pueden torcerse o desviarse y ocasionar el agarrotamiento de la hoja de sierra giratoria durante el corte. No debe haber ningún clavo o cuerpo extraño en la pieza de trabajo.

g) **Utilice solamente la sierra si la mesa está libre de herramientas, restos de madera, etc; solo debe estar la pieza de trabajo encima de la mesa.** Ningún residuo, piezas de madera sueltas u otros objetos que entren en contacto con la hoja giratoria pueden salir despedidos a alta velocidad.

h) **Corte sólo una pieza en cada caso.** Las piezas con apilamiento múltiple no se pueden sujetar o retener adecuadamente, y podrían provocar al serrar un agarrotamiento de la hoja o deslizarse.

i) **Procure que la sierra de inglete se encuentre sobre una superficie de trabajo plana y fija antes de utilizarla.** Una superficie de trabajo plana y firme reduce el riesgo de que la sierra de inglete se vuelva inestable.

j) **Planifique su trabajo. En cada ajuste de la inclinación de la hoja de sierra o del ángulo de inglete fíjese en que el tope regulable esté ajustado correctamente y que la pieza esté apoyada sin entrar en contacto con la hoja o la cubierta protectora.** Sin desconectar la máquina y sin pieza de trabajo en la mesa se debe simular un movimiento de corte completo de la hoja de sierra para garantizar que no se produzcan obstáculos o el riesgo de corte en el tope.

k) **Para piezas que sean más anchas o largas que la parte superior de la mesa proporcione un soporte adecuado, p.ej. mediante prolongaciones de la mesa o soportes para sierra.** Las piezas que son más largas o anchas que la mesa de la sierra de inglete pueden volcar si no están firmemente apoyadas. Si vuelva una pieza de madera cortada o la pieza de trabajo, se puede levantar la cubierta protectora inferior o salir despedida de forma incontrolada desde la hoja giratoria.

l) **No recurra a otra persona como sustituto de la prolongación de mesa o soporte adicional.** Un soporte inestable de la pieza puede provocar el agarrotamiento de la hoja. Asimismo, la pieza puede desplazarse durante el corte y arrastrarle a usted y a su ayudante a la hoja giratoria.

m) **La pieza cortada no debe ser presionada contra la hoja de sierra giratoria.** Si hay poco espacio, p.ej. al usar topes longitudinales, la pieza cortada puede acuciarse con la hoja y salir despedida con violencia.

n) **Utilice siempre una abrazadera o un dispositivo apropiado para apoyar correctamente el material redondo como varillas o tubos.** Las varillas tienden a desplazarse durante el corte, por lo que la hoja "se agarra" y se puede arrastrar la pieza de trabajo con su mano a la hoja.

o) **Deje que la hoja alcance la velocidad máxima antes de cortar en la pieza de**

trabajo. Esto reducirá el riesgo de que la pieza sea proyectada.

p) **Si se aprisiona la pieza o se bloquea la hoja, desconecte la sierra de inglete. Espere hasta que todas las piezas móviles estén paradas, extraiga el enchufe y/o saque la batería. Retire a continuación el material aprisionado.** Si sigue serrando en caso de bloqueo, puede producirse una pérdida de control o daños en la sierra de inglete.

q) **Después del corte libere el interruptor, mantenga el cabezal de sierra abajo y espere a que se detenga la hoja antes de retirar la pieza cortada.** Es muy peligroso poner la mano cerca de la hoja en funcionamiento.

3.1 Otras indicaciones de seguridad

- Respete las instrucciones especiales de seguridad en cada uno de los capítulos.
- Dado el caso, tenga en cuenta la normativa legal o las prescripciones para la prevención de accidentes.



¡Riesgos generales!

- Tenga en cuenta las influencias ambientales.
- Si se trata de piezas de trabajo largas, utilice soportes apropiados para apoyarlas.
- Esta máquina solamente debe ser puesta en marcha y utilizada por personas familiarizadas con el uso de tales máquinas y conocedoras de los peligros que representa su uso. Los menores de 18 años de edad podrán usar este aparato únicamente durante su formación profesional y bajo la supervisión de un instructor.
- Mantenga alejadas de la zona de peligro a terceras personas, especialmente a los niños. Durante el trabajo, impida que otras personas toquen el aparato o el cable de alimentación eléctrica.
- Evite el sobrecalentamiento de los dientes de la sierra.
- Cuando esté serrando plásticos, evite que el plástico se derrita.



¡En las piezas móviles existe peligro de lesiones y aplastamiento!

- No ponga en marcha este aparato sin antes haber montado los dispositivos de protección.
- Mantenga siempre una distancia prudencial respecto a la hoja de sierra. En caso necesario, utilice los dispositivos de alimentación adecuados. Durante el funcionamiento, manténgase a una distancia prudencial de los componentes en movimiento.
- Antes de retirar del puesto de trabajo pequeños trozos de la pieza trabajada, restos de madera, etc., espere hasta que la hoja de sierra se haya detenido por completo.
- Siere sólo piezas cuyas dimensiones permitan una sujeción segura durante el trabajo.
- Utilice dispositivos de sujeción o un tornillo de banco para sujetar la pieza de trabajo. De este modo se sujeta de forma más segura que con su mano.
- Nunca frene la marcha por inercia de la hoja de sierra ejerciendo una presión lateral.
- Antes de proceder a cualquier tipo de ajuste, mantenimiento o reparación, desconecte el enchufe o retire la batería extraíble.
- Si no se utiliza el aparato, desconecte el enchufe o retire la batería extraíble.



¡Peligro de lesiones por cortes, incluso si la herramienta de corte está parada!

- Utilice guantes para cambiar las herramientas de corte.
- Guarde las hojas de sierra de manera que nadie pueda resultar dañado con ellas.



¡Riesgo debido a rebote del cabezal de sierra (la hoja de sierra se enreda en la pieza y el cabezal golpea de repente arriba)

- Seleccione una hoja de sierra adecuada para el material a cortar.
- Sujete el mango firmemente. En el momento en el que la hoja de sierra se hunda en la pieza el riesgo de rebote será especialmente alto.
- Para serrar piezas de trabajo finas o de paredes finas, utilice sólo hojas de sierra con dentado fino.
- Utilice siempre hojas de sierra afiladas. ¡Cambie las hojas de sierra desafiladas inmediatamente! Existe un elevado riesgo de rebote si un diente de sierra desafilado se traba en la superficie de la pieza.
- No ladee las piezas de trabajo.
- En caso de duda, revise las piezas de trabajo por si tienen cuerpos extraños (por ejemplo, clavos o tornillos).
- No corte nunca varias piezas a la vez, tampoco paquetes que contengan varias piezas individuales. Existe peligro de accidente si la hoja de sierra agarra varias piezas individuales sin estar sujetas.



¡Peligro de atrapamiento!

- Durante el funcionamiento, tenga cuidado de que ninguna parte del cuerpo o prenda se enganchen o se introduzcan en los componentes giratorios (no utilice **ninguna** corbata, **ningún** guante, **ninguna** prenda de vestir con mangas holgadas; si lleva el pelo largo, es imprescindible utilizar una red de protección).
- No siere nunca piezas de trabajo que tengan cuerdas, cordones, cintas, cables o alambres o que contengan este tipo de materiales.



¡Peligro por equipamiento de protección personal insuficiente!

- Use protectores auditivos.
- Use gafas protectoras.
- Use máscara de protección contra el polvo.
- Use ropa de trabajo adecuada.
- Use calzado antideslizante.
- Utilice guantes al manipular las hojas de sierra y herramientas ásperas. Lleve las hojas de sierra en un recipiente.



¡Peligro debido al polvo de madera!

- Trabaje sólo sistema de aspiración. Dicho sistema de aspiración deberá cumplir los valores indicados en el capítulo 15..

Advertencias adicionales:

⚠ ADVERTENCIA Algunos polvos generados por el lijado, aserrado, amolado o taladrado con herramientas eléctricas y otras actividades de construcción contienen sustancias químicas que se sabe que causan cáncer, defectos de nacimiento y otros daños sobre la reproducción. Algunos ejemplos de estas sustancias químicas son:

- Plomo procedente de pinturas a base de plomo,
- Silice cristalina procedente de ladrillos y cemento, así como de otros productos de mampostería, y
- Arsénico y cromo procedentes de madera de construcción tratada químicamente.

El riesgo para usted por estas exposiciones varía, dependiendo de qué tan a menudo haga este tipo de trabajo. Para reducir su exposición a estas sustancias químicas: trabaje en un área bien ventilada y trabaje con equipo de seguridad aprobado, como por ejemplo las máscaras antipolvo que están diseñadas especialmente para impedir mediante filtración el paso de partículas microscópicas.



¡Peligro por la realización de modificaciones técnicas o bien por la utilización de piezas no verificadas ni

homologadas por el fabricante de la máquina!

- Monte este aparato siguiendo estrictamente estas instrucciones.
- Utilice exclusivamente piezas homologadas por el fabricante. Esto se refiere especialmente a:
 - Hojas de sierra (números de referencias véase el capítulo 11. Accesorios).
 - Dispositivos de seguridad
 - Láser de recorte
 - Iluminación del área de corte
- No realice ninguna modificación en las piezas.
- Fíjese en que la velocidad indicada en la hoja de sierra sea al menos tan alta como la indicada en la sierra.



¡Peligro por defectos en el aparato!

- Antes de poner en marcha el apartado verifique siempre que no presente posibles daños: antes de continuar utilizando el equipo es necesario revisar los dispositivos de seguridad, los dispositivos de protección o las piezas ligeramente dañadas para determinar si cumplen perfectamente con la función prevista. Verifique que las piezas móviles funcionan correctamente y asegúrese de que no estén atascadas. Todas las piezas deben estar montadas correctamente y cumplir las condiciones necesarias para garantizar un funcionamiento óptimo de la herramienta.
- No utilice hojas de sierra dañadas o deformadas.



¡Peligro por ruido!

- Use protectores auditivos.



¡Peligro por piezas de trabajo bloqueadas!

Si se produce un bloqueo:

1. Apague la máquina.
2. Desconecte el enchufe o retire la batería extraíble.
3. Póngase guantes.
4. Desbloquee la pieza con la herramienta adecuada.

3.2 Indicaciones especiales de seguridad para máquinas con acumulador:

Extraiga el acumulador de la máquina antes de llevar a cabo cualquier ajuste, reequipamiento, trabajo de mantenimiento o limpieza.



Proteja los acumuladores contra la humedad.



No ponga los acumuladores en contacto con el fuego.

No utilice acumuladores defectuosos o deformados.

No abra las baterías.

No toque ni ponga en cortocircuito los contactos de la batería.



De los acumuladores de litio defectuosos puede llegar a salir un líquido ligeramente ácido e inflamable



En caso de que salga líquido del acumulador y entre en contacto con la piel, lávese inmediatamente con abundante agua. En caso de que el líquido entrara en contacto con los ojos, lávelos con agua limpia y acuda inmediatamente a un centro médico.

Transporte de acumuladores de NiCd: el envío de acumuladores de NiCd está sujeto a la ley de mercancías peligrosas (UN 3480 y UN 3481). Cumple con las normas y directivas actualmente válidas al transportar baterías Li-Ion. En caso dado, infórmese en su empresa transportista. Puede obtener embalajes certificados.

3.3 Símbolos utilizados en el aparato (en función del modelo)



Leer el manual de instrucciones.



No agarrar nunca la hoja de sierra.



Usar gafas protectoras así como protección auricular.



No utilizar el equipo en un entorno húmedo o mojado.



Radiación láser - No mirar directamente el rayo.



..... Clase II de construcción
V voltios
A amperios
Hz hertzios
.../min revoluciones por minuto
~ corriente alterna
= corriente continua
n₀ velocidad sin carga

3.4 Dispositivos de seguridad Cubierta protectora oscilante (18)

La cubierta protectora oscilante protege del contacto accidental con la hoja de sierra y de las virutas que salen despedidas.

Bloqueo de seguridad (26)

Equipos con batería: Sólo si se acciona el bloqueo de seguridad, se puede conectar la máquina.

Fuentes de alimentación: Sólo si se acciona el bloqueo de seguridad, se abre la cubierta protectora oscilante y se puede bajar la sierra.

Tope de la pieza de trabajo (19)

El tope de la pieza impide que una pieza pueda moverse durante el aserrado. El tope de la pieza debe estar constantemente montado durante el funcionamiento.

El perfil adicional (31) en el tope de la pieza debe estar desplazado para cortes de inclinación después de aflojar el tornillo de fijación (32).

4. Descripción general

Véase la página 2.

- 1 Mesa
 - 2 Mesa giratoria
 - 3 Mango de sujeción para mesa giratoria
 - 4 Pieza suplementaria de la mesa
 - 5 Enclavamiento de la hoja de sierra
 - 6 Boquilla de aspiración de virutas
 - 7 Bolsa de virutas
 - 8 Cierre de la bolsa de virutas
 - 9 Bloqueo de transporte
 - 10 Botón de bloqueo (para ampliar el ángulo de inclinación a +/- 2°)
 - 11 Palanca de bloqueo para ajuste de inclinación
 - 12 Empuñadura
 - 13 Llave macho hexagonal / Depósito de herramientas para llave macho hexagonal
 - 14 Dispositivo de sujeción para piezas
 - 15 Mango de sierra
 - 16 Salida de láser
 - 17 Iluminación del área de corte
 - 18 Cubierta protectora oscilante
 - 19 Tope de la pieza de trabajo
 - 20 Tope longitudinal
 - 21 Ensanchamiento de la mesa
 - 22 Tornillo inmovilizador del ensanchamiento de la mesa
 - 23 Interruptor de conexión y desconexión de la iluminación del área de corte
 - 24 Interruptor de conexión y desconexión del láser de recorte
 - 25 Interruptor de conexión y desconexión de la sierra (el agujero del interruptor se utiliza para asegurar la herramienta con un candado para evitar una conexión accidental)
 - 26 Bloqueo de seguridad
 - 27 Batería *
 - 28 Indicador de capacidad y de señal *
 - 29 Tecla del indicador de capacidad *
 - 30 Botón de desbloqueo de la batería *
- * en función del modelo/equipamiento

5. Montaje y transporte

Si fuera necesario, montar el ensanchamiento de la mesa (21) (dependiendo del modelo)

1. Retirar el ensanchamiento de la mesa derecho e izquierdo del embalaje de transporte.
2. Desatornillar los tornillos (33) en los raíles guía del ensanchamiento de mesa derecho e izquierdo.
3. Deslizar completamente los raíles guía de los ensanchamientos de mesa en los alojamientos. Colocar el ensanchamiento de la mesa con tope longitudinal plegable hacia arriba (20) en el lado derecho.
4. Levantar el aparato en las patas posteriores, inclinar con cuidado hacia atrás y depositar de forma estable.
5. Atornillar firmemente los tornillos (33) en los raíles guía de nuevo.
6. Agarrar el aparato de las patas posteriores, inclinar con cuidado hacia atrás y depositar de forma estable.
7. Ajustar la anchura de mesa deseada y bloquear los ensanchamientos de la mesa con tornillos inmovilizadores (22).

Colocar el letrero de aviso láser

La máquina se entrega con un letrero de aviso láser en idioma alemán. Antes de la primera puesta en marcha coloque el letrero de aviso láser en su idioma sobre éste.

Montaje

Para un trabajo seguro se debe asegurar el aparato en una base estable.

- Servirá como base una mesa de trabajo fija o un banco de trabajo.
- El equipo debe estar seguro incluso para el mecanizado de piezas de trabajo mayores.
- Las piezas de trabajo largas deben estar apoyadas con accesorios apropiados.

AVISO

Para la utilización móvil se puede fijar con tornillos el aparato sobre una placa contrachapada o de carpintero (20 in x 20 in (500 mm x 500 mm), al menos 3/4 in (19 mm) de espesor). Para el uso se debe fijar la placa con tornillos de apriete sobre un banco de trabajo.

1. Atornillar el aparato sobre la base.
2. Soltar el bloqueo de transporte (9): presionar un poco hacia abajo el cabezal de sierra y sujetar. Retirar el bloqueo de transporte (9).

ATENCIÓN

El transporte de transporte (9) no debe utilizarse durante las operaciones de corte. Únicamente se utilizará para el almacenaje de las herramientas.

3. Girar lentamente hacia arriba el cabezal de sierra.

Transporte

1. Girar hacia abajo el cabezal de sierra y hundir el bloqueo de transporte (9).

ATENCIÓN

No transporte la sierra en los dispositivos de protección.

2. Levantar y agarrar el aparato por la empuñadura (12).

6. El aparato al detalle

6.1 Interruptor de conexión y desconexión del motor (25)

Conectar el motor:

- Pulse el interruptor de conexión y desconexión y manténgalo pulsado.

Desconectar el motor:

- Soltar el interruptor de conexión y desconexión.

6.2 Interruptor de conexión y desconexión de la iluminación del área de corte (23)

Conectar y desconectar la iluminación del área de corte.

ATENCIÓN

No dirija el haz luminoso hacia los ojos de personas o animales.

AVISO

Para equipos con batería: si la pausa de trabajo es breve, se apagará la iluminación del área de corte (modo reposo) y se activará automáticamente al reanudar el trabajo. En caso de que la pausa sea más larga se desconectará la iluminación del área. Para volver a conectar: accionar el interruptor (23).

6.3 Interruptor de conexión y desconexión del láser de recorte (24)

Conectar y desconectar el láser de recorte.

El láser de recorte marca una línea a la izquierda del corte de la sierra. Realice un corte de prueba para familiarizarse con el posicionamiento.

ATENCIÓN

RADIACIÓN LÁSER
NO MIRAR DIRECTAMENTE EL A LA LUZ
Potencia máx. de salida <1mW
Longitud de onda: 650 nm
Cumplimiento del título 21 del CFR 1040.10e
Láser Clase II

AVISO

Para equipos con batería: si la pausa de trabajo es breve, se apagará el láser de recorte (modo reposo) y se activará automáticamente al reanudar el trabajo. En caso de que la pausa sea más larga se desconectará el láser. Para volver a conectar: accionar el interruptor (24).

6.4 Ajuste de la inclinación

Después de soltar la palanca de bloqueo, (11) se puede inclinar la sierra de forma continua entre 0° y 45° hacia la izquierda (36).

Durante el ajuste presione el botón de bloqueo (10) para ajustar también el ángulo hasta 47° hacia la izquierda respecto a la vertical o bien hasta 2° hacia la derecha respecto a la vertical.

ADVERTENCIA

Para que el ángulo de inclinación al aserrar no pueda cambiar la palanca de bloqueo (11) del brazo basculante debe estar presionada firmemente.

6.5 Mesa giratoria

Para cortes de inglete se puede girar la mesa giratoria, después de soltar el mango de sujeción (3), 47° a la izquierda o 47° a la derecha. De este modo se ajustará el ángulo de corte respecto a la arista guía de la pieza de trabajo.

ADVERTENCIA

Para que la escuadra de ingletes al aserrar no pueda cambiar la palanca de bloqueo (3) de la mesa giratoria (también en las posiciones de retención) debe estar firmemente apretada.

7. Puesta en marcha

7.1 Bolsa de virutas / Conectar el sistema de aspiración de virutas

ADVERTENCIA

La inhalación de algunos tipos de serrín (por ejemplo de haya, roble y fresno) puede producir cáncer.

- Trabaje únicamente con una bolsa de virutas instalada o un sistema de aspiración de virutas adecuado.
- Utilice asimismo una máscara de protección contra el polvo, ya que no se recoge o aspira todo el serrín.

– Vacíe la bolsa de virutas periódicamente. Use máscara de protección contra el polvo para vaciarla.

Si pone en marcha este aparato con la bolsa de virutas suministrada:

• Coloque la bolsa de virutas (7) en la boquilla de aspiración de virutas (6). Asegúrese de que el cierre (8) de la bolsa está cerrado.

Si conecta el aparato a un sistema de aspiración de virutas:

- Utilice un adaptador adecuado para el empalme a la boquilla de aspiración (véase el capítulo 11. "Accesorios").
- Compruebe que el sistema de aspiración cumple los requisitos mencionados en el capítulo 15. "Datos técnicos".
- ¡Respete también las instrucciones de uso recogidas en el manual del sistema de aspiración de virutas!

7.2 Montaje del dispositivo de sujeción para piezas

El dispositivo de sujeción para piezas (14) puede estar montado en dos posiciones:

- Para piezas anchas: Introducir el dispositivo de sujeción para piezas en el taladro posterior (34) de la mesa.
- Para piezas estrechas: Introducir el dispositivo de sujeción para piezas en el taladro anterior (35) de la mesa.

7.3 Especial para máquinas de red

⚠ PELIGRO

Corriente eléctrica

Utilice la máquina sólo con una fuente de energía que cumpla los siguientes requisitos (véanse también el capítulo 15. "Datos técnicos"):

- La tensión y la frecuencia de red deben coincidir con los datos indicados en la placa de características de la máquina;
- Protección por fusible mediante un interruptor de corriente FI con una corriente residual de 30 mA;
- Las cajas de enchufe deben estar instaladas, conectadas a tierra y verificadas de acuerdo a las prescripciones.
- Pase el cable de alimentación de manera que no interfiera en el trabajo y no pueda resultar dañado.
- Utilice solamente cables alargadores de goma que tengan una sección suficiente (3 × 1,5 mm²).
- En caso necesario, utilice cable alargador para exteriores. Para el uso al aire libre use únicamente extensiones eléctricas aprobadas y correspondientemente señaladas.
- Evite que la máquina se ponga en marcha por error. Asegúrese de que el interruptor esté apagado en el momento de conectar la máquina a la red eléctrica.
- Enchufes polarizados: Para reducir el riesgo de descargas eléctricas, este equipo lleva un enchufe polarizado (una patilla es más ancha que la otra). Este enchufe solo tiene una posición de entrada en la toma de corriente. Si no entra correctamente en la toma, invierta la posición del enchufe. Si aún así no entra en la toma, póngase en contacto con un electricista especializado para que instale una toma adecuada. No modifique el enchufe en modo alguno.

7.4 Especial para máquinas con baterías

- Evite que la máquina se ponga en marcha por error. Asegúrese de que el interruptor esté desconectado al insertar el acumulador.

Batería

Cargue la batería antes de utilizar la herramienta (27).

Si detecta una disminución de potencia, vuelva a cargar la batería.

La temperatura óptima de almacenaje es entre 10°C y 30°C.

Las baterías de ion litio (Li-Ion) y Li-Power poseen un indicador de capacidad y de señal (28):

- Al presionar el botón (29) los testigos LED indican el nivel de carga.
- Si un testigo LED parpadea, el acumulador se encarga prácticamente vacío y debe volver a cargarse.

Retire e inserte la batería

Retirar: Pulse el botón del desbloqueo de la batería (30) y retire la batería (27) hacia atrás.

Colocar: Colocar batería (27) hasta que encaje.

8. Manejo

- Antes de iniciar el trabajo compruebe si los dispositivos de seguridad están en buen estado.
- Adopte una posición de trabajo correcta durante el serrado:
 - delante, en el lado de manejo de la máquina;
 - de frente a la sierra;
 - junto a la línea de corte de la hoja de sierra.

⚠ ADVERTENCIA

Fije la pieza con el dispositivo de sujeción para piezas dependiendo de las posibilidades (14).

⚠ ADVERTENCIA

¡Peligro de aplastamiento!

Durante la inclinación o giro del cabezal de sierra, no agarrar por la zona de las bisagras o por debajo del aparato.

- Sujete el cabezal de la sierra firmemente al inclinar.
- Utilice durante el trabajo:
 - Soporte para piezas de trabajo: con piezas largas, cuando estas caen de la mesa al ser cortadas;
 - Bolsa de virutas o sistema de aspiración de virutas.
- Sierre sólo piezas cuyas dimensiones permitan una sujeción segura durante el trabajo.
- Presione constantemente la pieza de trabajo contra la mesa durante el trabajo y evite que se ladee; No frene nunca la hoja de sierra ejerciendo presión lateral; Existe peligro de accidente si la hoja de sierra se bloquea.

8.1 Cortes rectos

Posición de partida:

- Bloqueo de transporte (9) retirado.
- Cabezal de sierra girado hacia arriba.
- La mesa giratoria está en posición 0°, el mango de sujeción (3) para la mesa giratoria está apretado.
- La inclinación del brazo basculante respecto a la vertical es 0°, la palanca de bloqueo (11) para el ajuste de inclinación está apretada.

Serrar la pieza de trabajo:

1. Presionar la pieza contra el tope y apretar con el dispositivo de sujeción para piezas (14).
2. Accionar el bloqueo de seguridad (26), pulsar el interruptor de conexión y desconexión (25) y mantener pulsado.
3. Bajar lentamente el cabezal de la sierra por el mango completamente hacia abajo. Al aserrar presionar el cabezal de sierra firmemente en la pieza de tal modo que la velocidad del motor no se reduzca demasiado.
4. Aserrar la pieza en una sola operación.
5. Soltar el interruptor de conexión y desconexión (25) y girar lentamente hacia atrás el cabezal de sierra a la posición inicial superior.

8.2 Cortes de inglete

Posición de partida:

- Bloqueo de transporte (9) retirado.
- Cabezal de sierra girado hacia arriba.
- La inclinación del brazo basculante respecto a la vertical es 0°, la palanca de bloqueo (11) para el ajuste de inclinación está apretada.

Serrar la pieza de trabajo:

1. Aflojar el mango de sujeción (3) de la mesa giratoria.

2. Ajustar el ángulo deseado.
3. Apretar el mango de sujeción (3) de la mesa giratoria.
4. Serrar la pieza como se describe en "Corte rectos".

8.3 Cortes inclinados

Posición de partida:

- Bloqueo de transporte (9) retirado.
- Cabezal de sierra girado hacia arriba.
- La mesa giratoria está en posición 0°, el mango de sujeción (3) para la mesa giratoria está apretado.

Serrar la pieza de trabajo:

1. Soltar la palanca de bloqueo (11) para el ajuste de inclinación en la parte posterior de la sierra.
2. Inclinar lentamente el brazo basculante a la posición deseada.
3. Apretar la palanca de bloqueo (11) para el ajuste de inclinación.
4. Serrar la pieza como se describe en "Corte rectos".

8.4 Cortes a doble inglete

AVISO

El corte a doble inglete es una combinación de corte a inglete y corte inclinado. Esto significa que la pieza se sierra oblicuamente respecto a la arista guía trasera y oblicua respecto a la parte superior.

⚠ ADVERTENCIA

En el caso del corte a doble inglete la hoja de sierra es más fácilmente accesible debido a la fuerte inclinación – por ello existe un elevado riesgo de lesiones. Mantenga suficiente distancia respecto a la hoja de sierra.

Posición de partida:

- Bloqueo de transporte (9) retirado.
- Cabezal de sierra girado hacia arriba.
- Mesa giratoria inmovilizada en la posición deseada.
- Brazo basculante inclinado y bloqueado en el ángulo deseado respecto a la superficie de la pieza de trabajo.

Serrar la pieza de trabajo:

- Serrar la pieza como se describe en "Corte rectos".

9. Mantenimiento y conservación

⚠ PELIGRO

Antes de cualquier mantenimiento o limpieza, desconecte el enchufe o retire la batería extraíble (27).

- Cualquier trabajo de mantenimiento o de reparación distinto a los descritos en este capítulo, deberá ser realizado exclusivamente por especialistas.
- Sustituir las piezas dañadas, especialmente los dispositivos de seguridad, por piezas originales únicamente. Las piezas no verificadas ni homologadas por el fabricante podrían causar daños imprevisibles.
- Después de los trabajos de mantenimiento y de limpieza, ponga de nuevo en funcionamiento el aparato y compruebe todos los dispositivos de seguridad.

9.1 Cambio de la hoja de sierra

⚠ ADVERTENCIA

¡Peligro de quemaduras!

Poco después del corte, la hoja de sierra puede estar muy caliente. Deje que la hoja de sierra se enfríe. No limpie una hoja de sierra caliente con líquidos combustibles.

! ADVERTENCIA**Riesgo de heridas cortantes incluso con la hoja de sierra parada**

Al soltar y apretar el tornillo de sujeción (41) la cubierta protectora oscilante (18) debe estar girada sobre la hoja de sierra. Use guantes durante el cambio de la hoja de sierra.

- Desconecte el enchufe o retire la batería extraíble (27).
- Colocar el cabezal de sierra en la posición superior.
- Afloje el tornillo izquierdo de la tapa (40). Levante la tapa (40) hacia arriba, desengánchela y después bájela hacia abajo.
- Bloquear la hoja de sierra: presionar el botón de bloqueo y girar a la vez con la otra mano la hoja de sierra hasta que el botón de bloqueo encaje. Mantener presionado el botón de bloqueo.
- Desatornillar el tornillo de sujeción con arandela (41) en el eje de la hoja de sierra con llave macho hexagonal (13) en el sentido de las agujas del reloj (rosca izquierda).
- Liberar el bloqueo de seguridad (26) (solo en el caso de las fuentes de alimentación) y desplazar hacia arriba la cubierta protectora oscilante (18) y mantenerla.
- Quitar con cuidado la brida exterior (42) y la hoja de sierra (43) del eje de la hoja de sierra y volver a cerrar la cubierta protectora oscilante.

! ADVERTENCIA

No use detergentes (por ejemplo, para eliminar restos de resinas) que puedan corroer los componentes de aleación ligera de la sierra, ya que podría afectar a la resistencia de la misma.

- Limpiar las superficies de sujeción:
 - Eje de la hoja de sierra (46),
 - Hoja de sierra (43),
 - Brida exterior (42),
 - Brida interior (45).

! ADVERTENCIA

¡Colocar correctamente la brida interior! ¡De lo contrario, la sierra podría bloquearse o la hoja podría aflojarse! La brida interior se asienta correctamente si la ranura circular indica hacia la hoja de sierra y la parte plana hacia el motor.

- Encajar la brida interior (45).
- Liberar el bloqueo de seguridad (26) (solo en fuentes de alimentación) y desplazar hacia arriba la cubierta protectora oscilante (18) y mantener.
- Colocar la hoja de sierra nueva – Respetar el sentido de giro: visto desde el lado izquierdo (abierto), la flecha en la hoja de sierra debe corresponderse con la dirección de la flecha (44) en la cubierta de la hoja de sierra.

! ADVERTENCIA

Utilice únicamente hojas de sierra que cumplan los requerimientos y los datos indicados en este manual de instrucciones.

Utilice únicamente hojas de sierra adecuadas que hayan sido diseñadas para la velocidad máxima (véase "Datos técnicos"). En caso de usar hojas de sierra inadecuadas o deterioradas, la fuerza centrífuga podría lanzar partes de las mismas de forma similar a una explosión.

No es posible utilizar:

- Hojas de sierra de acero de corte rápido de alta aleación (HSS);
- Hojas de sierra deterioradas;
- Ni muelas de tronzar.

! ADVERTENCIA

- Monte la hoja usando solamente piezas originales.
- No utilice anillos reductores sueltos, la hoja podría aflojarse.

– Las hojas deben montarse centradas de forma que giren uniformemente y sin sacudidas. De este modo se evita que se aflojen durante el funcionamiento.

- Volver a cerrar la cubierta protectora oscilante (18).
- Empujar la brida exterior (42) – el lado plano debe señalar al motor
- Atornillar el tornillo de sujeción con arandela (41) en el sentido contrario al de las agujas del reloj (rosca izquierda) y apretar firmemente con la mano.
- Bloquear la hoja de sierra: presionar el botón de bloqueo (5) y girar a la vez con la otra mano la hoja de sierra hasta que el botón de bloqueo encaje. Mantener presionado el botón de bloqueo.

! ADVERTENCIA

- No prolongar la llave hexagonal.
- No apriete el tornillo de sujeción golpeando sobre la llave hexagonal.
- Apretar bien el tornillo de sujeción (41) con la llave hexagonal (13).
- Levante la tapa (40) hacia arriba y vuelva a fijarla apretando el tornillo izquierdo.
- Comprobar el funcionamiento. Liberar para ello el bloqueo de seguridad (26) (solo en fuentes de alimentación) y plegar la sierra hacia abajo.
 - La cubierta protectora oscilante debe liberar la hoja de sierra al girar hacia abajo sin tocar otras piezas.
 - Al plegar hacia arriba la sierra a la posición inicial la cubierta protectora oscilante debe cubrir automáticamente la hoja de sierra.
 - Girar manualmente la hoja de sierra. La hoja de sierra debe poder girarse en cada posible posición de ajuste sin tocar otras piezas.

9.2 Cambiar la pieza suplementaria de la mesa**! ADVERTENCIA**

En caso de que alguna pieza suplementaria de la mesa (4) estuviera dañada existe el riesgo de que se adhieran pequeños objetos entre la pieza suplementaria de la mesa y la hoja de sierra, y ésta última se bloquee. ¡Cambie las piezas suplementarias dañadas inmediatamente!

- Desatornillar los tornillos en la pieza suplementaria de la mesa. Si fuera necesario, girar la mesa giratoria e inclinar el cabezal de sierra para poder alcanzar los tornillos.
- Extraer la pieza suplementaria de la mesa.
- Colocar la nueva pieza.
- Apretar bien los tornillos.

9.3 Ajustar el tope de la pieza de trabajo

- Aflojar los tornillos Allen (47).
- Alinear el tope de la pieza (19) de tal modo que esté exactamente en ángulo recto respecto a la hoja de sierra si la mesa giratoria encaja en la posición 0°.
- Apretar los tornillos Allen (47).

9.4 Ajustar el láser de recorte
Alinear el láser perpendicularmente

- Aflojar el tornillo central (37). Girar el láser. Apretar el tornillo central (37).

Alinear el láser lateralmente

- Aflojar el tornillo derecho (39) y el tornillo izquierdo (38). Desplazar el láser en horizontal. Apretar el tornillo derecho (39) y el tornillo izquierdo (38).

9.5 Limpiar aparato

Use un cepillo o aspirador para quitar las virutas de sierra y el polvo de:

- Dispositivos de ajuste;
- Elementos de mando;
- Aberturas de ventilación del motor;
- Espacio debajo de la pieza suplementaria de la mesa;

- Láser de recorte;
- Iluminación del área de corte

9.6 Almacenaje del aparato**! ADVERTENCIA**

- Guárdelo de tal manera que una persona no autorizada no pueda conectarlo.
- El agujero del interruptor se utiliza para asegurar la herramienta con un candado para evitar una conexión accidental.
- Asegúrese de que nadie pueda resultar herido con el aparato parado.

! ATENCIÓN

- No guarde nunca la máquina a la intemperie sin protección ni en un ambiente húmedo.

9.7 Mantenimiento
Antes de cada uso

- Elimine las virutas con el aspirador o con un pincel.
 - Verificar si el cable de alimentación y el enchufe o la batería presentan daños. Si es necesario, solicite a un electricista cualificado que cambie las piezas defectuosas.
 - Comprobar todas partes móviles para ver si pueden moverse libremente en todo el área de movimiento.
- Periódicamente, según las condiciones de utilización**
- Revise todas las uniones atornilladas y apriételas si es necesario.
 - Comprobar la función de restauración del cabezal de sierra (éste debe regresar a la posición inicial superior mediante fuerza elástica) y hacer sustituir el resorte si es necesario.
 - Engrasar ligeramente los elementos de guiado.

10. Consejos y trucos

- Utiliza en el caso de piezas largas a izquierda y derecha de la sierra soportes apropiados.
- En caso de corte inclinado, mantener sujeta la pieza a la derecha de la hoja de sierra.
- Al aserrar pequeñas secciones utilizar un tope adicional (como tope adicional puede servir p.ej. una tablilla de madera adecuada que esté atornillada al tope del aparato).
- Para aserrar una tabla abombada (deformada) (48) colocar la parte abombada hacia fuera en el tope de la pieza.
- No serrar piezas de canto sino colocarlas planas sobre la mesa giratoria.

11. Accesorios

Utilice únicamente accesorios Metabo originales.

Utilice únicamente accesorios que cumplan los requerimientos y los datos indicados en este manual de instrucciones.

A Aerosol de mantenimiento y conservación para eliminar restos de resina y para la conservación de las superficies metálicas.

0911018691

B Adaptador de aspiración Multi para la conexión de mangueras de aspiración con 44, 58 o 100 mm Pieza de empalme 0910058010

C Aspiradora universal Metabo (véase el catálogo)

D Bastidores inferiores:

Bastidor de máquina universal UMS 6.3131700
Bastidor inferior móvil KSU 250 Mobile

6.3131800
Bastidor KSU 400 0910066110

E Soportes de rodillos:

RS 420 0910053353
RS 420 G 0910053345
RS 420 W 0910053361

Para consultar el programa completo de accesorios, véase www.metabo.com o nuestro catálogo.

12. Reparación

PELIGRO

Sólo electricistas especializados pueden realizar reparaciones en las herramientas eléctricas.

Para los trabajos de mantenimiento o reparación, utilice solo piezas de repuesto originales.

En caso de tener herramientas eléctricas de Metabo que necesite ser reparadas, diríjase a su representante de Metabo. En la página www.metabo.com encontrará las direcciones necesarias.

En la página web www.metabo.com puede usted descargarse las listas de repuestos.

13. Protección medioambiental

Cumpla lo estipulado por las normativas nacionales relativas a la gestión ecológica de los residuos y al reciclaje de herramientas, embalaje y accesorios usados.

14. Problemas y averías

A continuación se describen problemas y averías que usted mismo puede eliminar. Si las medidas correctoras descritas aquí no le sirven, consulte el capítulo 12. "Reparación".

ADVERTENCIA

Muchos accidentes están relacionados con problemas y averías especialmente. Tenga en cuenta por ello:

- Desconecte el enchufe o retire la batería extraíble (27) antes de eliminar un fallo.
- Después de corregir la avería, reactive todos los elementos de seguridad y pruebe la máquina.

No hay función de corte

Bloqueo de transporte enclavado:

- Retirar el bloqueo de transporte.

Bloqueo de seguridad enclavado:

- Liberar bloqueo de seguridad.

Capacidad de serrado insuficiente

Hoja de sierra desafilada (la hoja de sierra muestra puntos de quemadura en su lateral);

Hoja de sierra para el material inapropiada (véase el capítulo 11. "Accesorios");

Hoja de sierra deformada:

- Cambiar la hoja de sierra (véase el capítulo 9. "Mantenimiento").

La sierra vibra intensamente

Hoja de sierra deformada:

- Cambiar la hoja de sierra (véase el capítulo 9. "Mantenimiento").

Hoja de sierra montada incorrectamente:

- Instalar correctamente la hoja de sierra (véase el capítulo 9. "Mantenimiento").

La mesa giratoria se mueve con dificultad

Virutas debajo de la mesa giratoria;

- Eliminar las virutas.

15. Datos técnicos

Notas explicativas sobre la información de la página 3.

Nos reservamos el derecho a efectuar modificaciones en función de las innovaciones tecnológicas.

U	= Tensión de red / Tensión de la batería
I	= Corriente nominal
F	= Protección mínima por fusible
P ₁	= Potencia de entrada nominal
IP	= Grado de protección
n ₀	= Número de revoluciones en ralentí
v ₀	= Velocidad máxima de corte
D	= Diámetro de la hoja de sierra (exterior)
d	= Agujero de la hoja de sierra (interior)
b	= Anchura de diente máx. de la hoja de sierra
A	= Dimensiones (largo x ancho x alto)
m	= Peso

Requisitos para un sistema de aspiración de virutas:

D ₁	= Diámetro de la conexión de la boquilla de aspiración
D ₂	= Caudal mínimo de aire
D ₃	= Presión negativa mínima en la boquilla de aspiración
D ₄	= Velocidad mínima del aire en la boquilla de aspiración

Sección máxima de la pieza, véase la tabla en la página 4.

Las especificaciones técnicas aquí indicadas están sujetas a rangos de tolerancia (conforme a las normas vigentes).

Valores de emisión

Estos valores permiten evaluar las emisiones de la herramienta eléctrica y compararlas con las de otras herramientas eléctricas. Dependiendo de las condiciones de uso, del estado de la herramienta eléctrica o de las herramientas que se utilicen, la carga real puede ser mayor o menor. Para realizar la valoración tenga en cuenta las pausas de trabajo y las fases de trabajo a carga reducida. Determine, a partir de los valores estimados, las medidas de seguridad para el operador, p. ej. medidas organizativas.

Niveles acústicos típicos compensados A:

L _{pA}	= Nivel de intensidad acústica
L _{WA}	= Nivel de potencia acústica
K _{pA} , K _{WA}	= Inseguridad

¡Use protectores auditivos!

Metabowerke GmbH
Metabo-Allee 1
72622 Nuertingen
Germany
www.metabo.com

metabo[®]

PROFESSIONAL POWER TOOL SOLUTIONS